

MULTI - CONTACT CONNECTORS

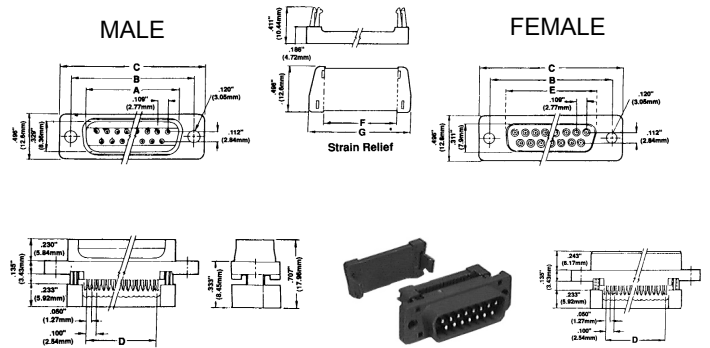
INSULATION DISPLACEMENT D-SUBMINIATURE CONNECTORS

FEATURES:

- 9, 15, 25 & 37 Male and Female available
- No exposed metal
- .050" offset contact spacing for standard flat "ribbon cable"
- Accepts 28 ga. solid, 30 ga. stranded
- Easily removable cable strain relief

SPECIFICATIONS:

Shell: Thermoplastic
Insulator Resistance: 1000m ohm min. at DC 500V
Current Rating: 5 Amp
Number of Contact: 9, 15, 25, 37
Dielectric Strength: 1000V for 1 minute
Operating Temperature: -55°C - +105°C
Pin Contact: Phosphor Bronze Gold Plated over Nickel
Insulator: PBT & 30% Glass Fiber (UL 94V-0)



*NOTE: Metric dimensions in Parentheses								
Dimension								
Part No.	Description	A	B	C	D	E	F	G
No. 70-4409	9 Pin Male	.666 (16.92)	.984 (24.99)	1.216 (30.89)	.400 (10.16)		.480 (12.19)	.759 (19.28)
No. 70-4410	9 Pin Female		.984 (24.99)	1.216 (30.89)	.400 (10.16)	.643 (16.33)	.480 (12.19)	.759 (19.28)
No. 70-4415	15 Pin Male	.944 (25.25)	1.312 (33.32)	1.541 (39.14)	.700 (17.78)		.780 (19.81)	1.087 (27.61)
No. 70-4416	15 Pin Female		1.312 (33.32)	1.541 (39.14)	.700 (17.78)	.971 (24.66)	.780 (19.81)	1.087 (27.61)
No. 70-4425	25 Pin Male	1.534 (38.96)	1.852 (47.04)	2.090 (53.09)	1.200 (30.48)		1.280 (35.51)	1.623 (41.22)
No. 70-4426	25 Pin Female		1.852 (47.04)	2.090 (53.09)	1.200 (30.48)	15.11 (38.38)	1.280 (35.51)	1.623 (41.22)
No. 70-4437	37 Pin Male	2.183 (55.45)	2.500 (63.50)	2.732 (69.39)	1.800 (45.72)		1.880 (47.75)	2.275 (57.78)
No. 70-4438	37 Pin Female		2.500 (63.50)	2.732 (69.39)	1.800 (45.72)	2.159 (54.84)	1.880 (47.75)	2.275 (57.78)

RIGHT ANGLE D-SUBMINIATURE P.C. MOUNT CONNECTORS

SPECIFICATIONS:

Shell: Steel Tin Plated
Socket Contact: Phosphor Bronze Gold Plated over Nickel
Insulator Resistance: 1000m ohm min. at DC 500V
Number of Contact: 9, 15, 25, 37
Current Rating: 5 Amp
Dielectric Strength: 1000V for 1 minute
Operating Temperature: -55°C - +105°C
Insulator: PBT & 30% Glass Fiber (UL 94V-0)

Designed for assembly to P.C. board when straight out application is desired. 9, 15, 25, & 37 Pin Male and Female available.

*NOTE: Metric dimensions in Parentheses				
Dimension				
Part No.	Description	A	B	C
No. 70-4509	9 Pin Male	.666 (16.92)	.984 (24.99)	1.213 (30.81)
No. 70-4510	9 Pin Female	.643 (16.33)	.984 (24.99)	1.213 (30.81)
No. 70-4515	15 Pin Male	.944 (25.25)	1.312 (33.32)	1.541 (39.14)
No. 70-4516	15 Pin Female	.971 (24.66)	1.312 (33.32)	1.541 (39.14)
No. 70-4525	25 Pin Male	1.534 (38.96)	1.852 (47.04)	2.088 (53.04)
No. 70-4526	25 Pin Female	1.511 (38.38)	1.852 (47.04)	2.088 (53.04)
No. 70-4537	37 Pin Male	2.182 (55.42)	2.500 (63.50)	2.729 (69.32)
No. 70-4538	37 Pin Female	2.159 (54.84)	2.500 (63.50)	2.729 (69.32)

