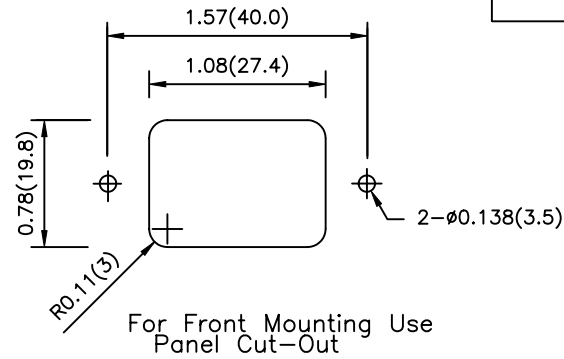
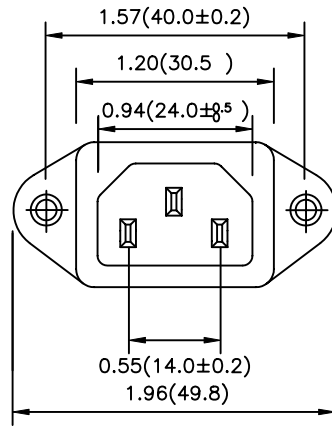


Revision			
Rev.	Description	Date	Approved



Material:

Housing: Thermoplastic

Terminal: Copper Alloy

Characteristics:

Rating: 10A 250V AC / 15A 250VAC AC

Insulation Resistance: Over 100 OHM 500V DC

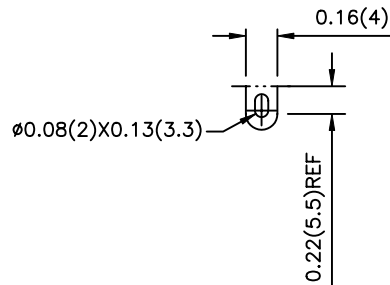
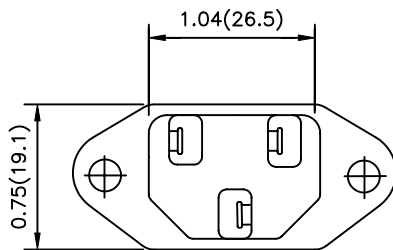
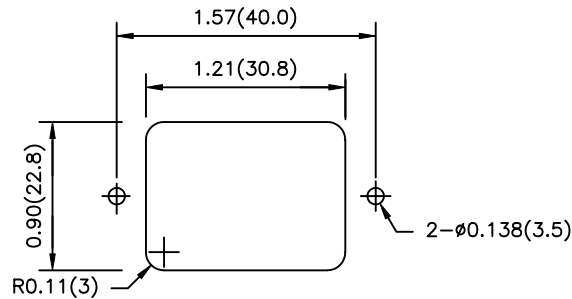
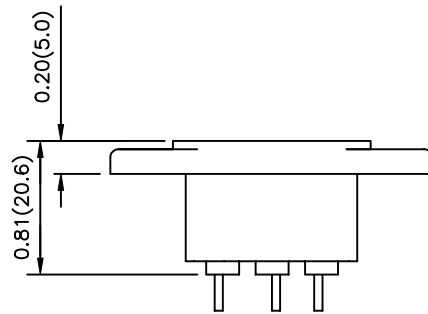
Dielectric Strength: 2000V AC One Minute

Approvals:

UL, CSA, VDE, SEV, CB, SEMKO, DEMKO, NEMKO,
and SETI

Non-countersink 4.0mm

703FN



Dim range (mm)	Tolerance +/- (mm)	Qualtek Electronics Corp. PPC DIVISION		
		Part Number: 703W-00/02		
0-1	0.15	Description: SCREW MOUNT INLET		
1-6	0.20			
6-18	0.30			
18-50	0.50			
50-120	0.70	Drawn/Date	Checked/Date	Approved/Date
120-250	0.90	B.ZHANG 08-27-02	08-27-02	JJH/08-27-02
250-500	1.20			