



## DSVP11 DISPENSE VALVE

2-Way, direct-acting, gravity fed solenoid valve designed to dispense water or similar media from a tank.

### Applications

- Floor scrubbers
- Tank or boiler draining
- Not for potable water applications
- For potable water applications, see our DSVP11N valve

### Features

- UR, cUR, & CE Cert.
- Up to 3 psi differential
- Multiple port options
- Multiple bracket options
- Rectified AC coils [1]
- Fixed or adjustable flow
- Normally open version available



SELECT MODELS [2]

| Electrical Specifications  |   |
|--|---|
| Coil Voltages  | 24, 110/120, 220/240 VAC 50/60 Hz [1]   12, 24, 36 VDC            |
| Coil Power   | AC valves 12W Cont   DC valves 11W Cont                           |
| Coil Terminals   | 0.25" x 0.03" spade terminals (See additional options on page 5)  |
| Coil Rectification   | All AC coils are rectified - Full and half wave options available |
| Duty Cycle   | 100% (Continuous)   |
| Coil Treatment   | Polyester encapsulated  |
| Insulation Class   | Class F (155° C)  |
| Ambient Temperature  | 35° C max.  |
| Mechanical Specifications  |   |
| Media  | Water up to 99° C with Polysulfone   77° C with Nylon body        |
| Operating Pressure   | 0-12 inches water column (up to 3 psi available upon request)     |
| Operating Position   | Any position between horizontal and facing up                     |
| Mounting Bracket   | See options on page 4   |
| Inlet / Outlet Connections   | See options on page 2   |
| Vent Tube Option   | See options on page 3   |
| Valve Body Material  | PA66 - Nylon  |
| Diaphragm Material   | FKM - Viton®, VMQ - Silicone                                      |
| Weight   | 8.0 oz.   |
| Agency Approvals   |   |
| UR, cUR, CE (Agency approvals do not apply to every configuration) [2] |   |

[1] AC coils are internally rectified. The rectifiers may require protection from transient voltages. It is recommended that a metal-oxide varistor (MOV) be placed in parallel at the coil.

[2] The CE Mark on Deltrol components indicates that the component is designed for use in a product required to comply with CE marking directives; certification to the LVD directive is only practical once the component is fully integrated into a finished product under the scope of either directive.

VITON® is a registered trademark of DuPont

Specifications subject to change without notice

1 of 9

Rev 08/10/12

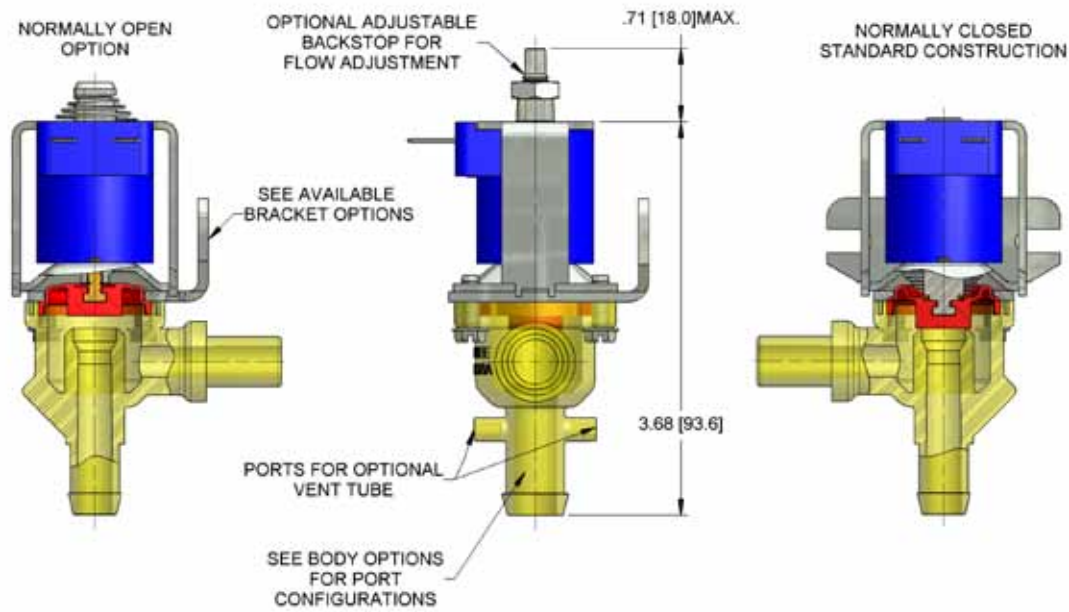
©2011 Deltrol Controls - A Division of Deltrol Corp.

2740 South 20<sup>th</sup> Street Milwaukee, WI 53215 USA | P: 414.671.6800 | F: 414.671.6809 | www.deltrol-controls.com | sales@deltrol.com

# DSVP11

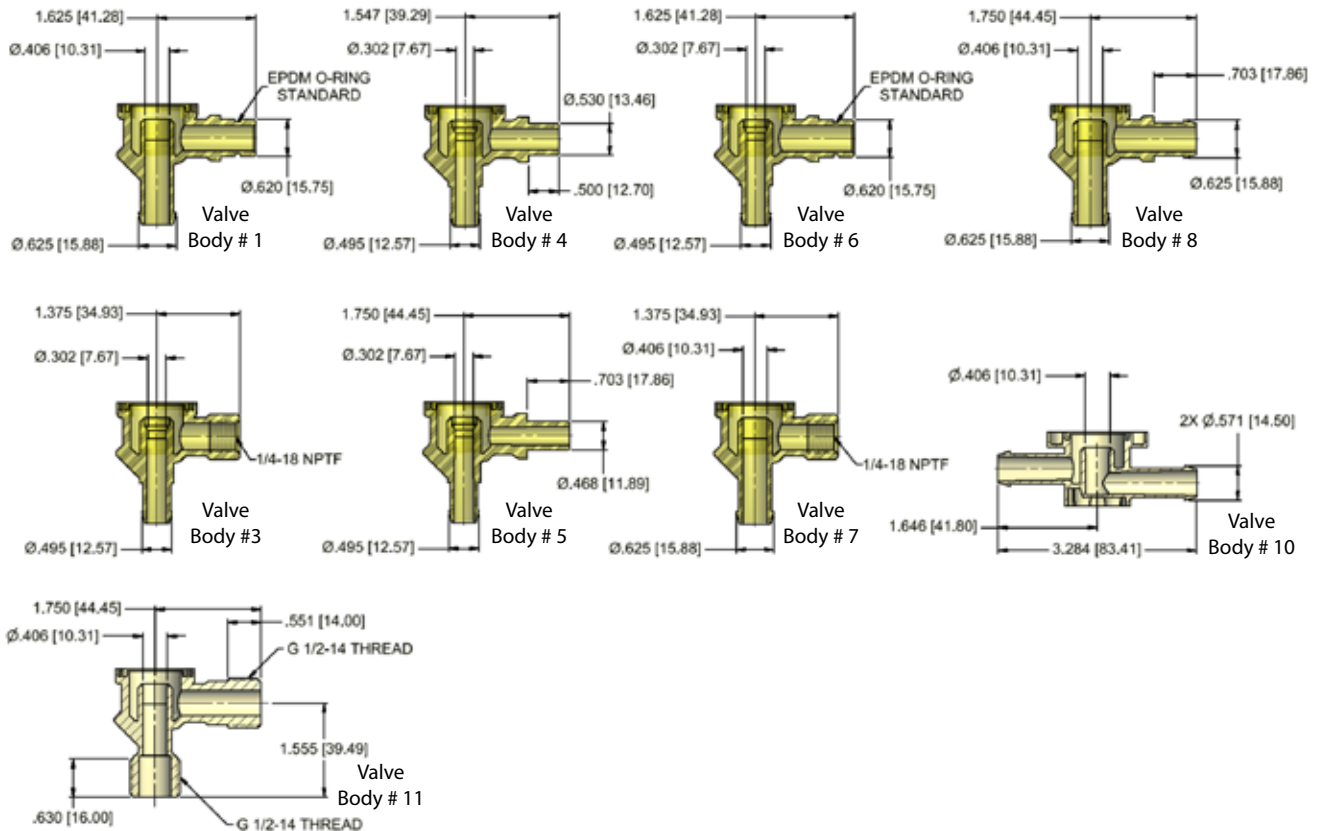
## Dimensional View

Units: Inches [mm]

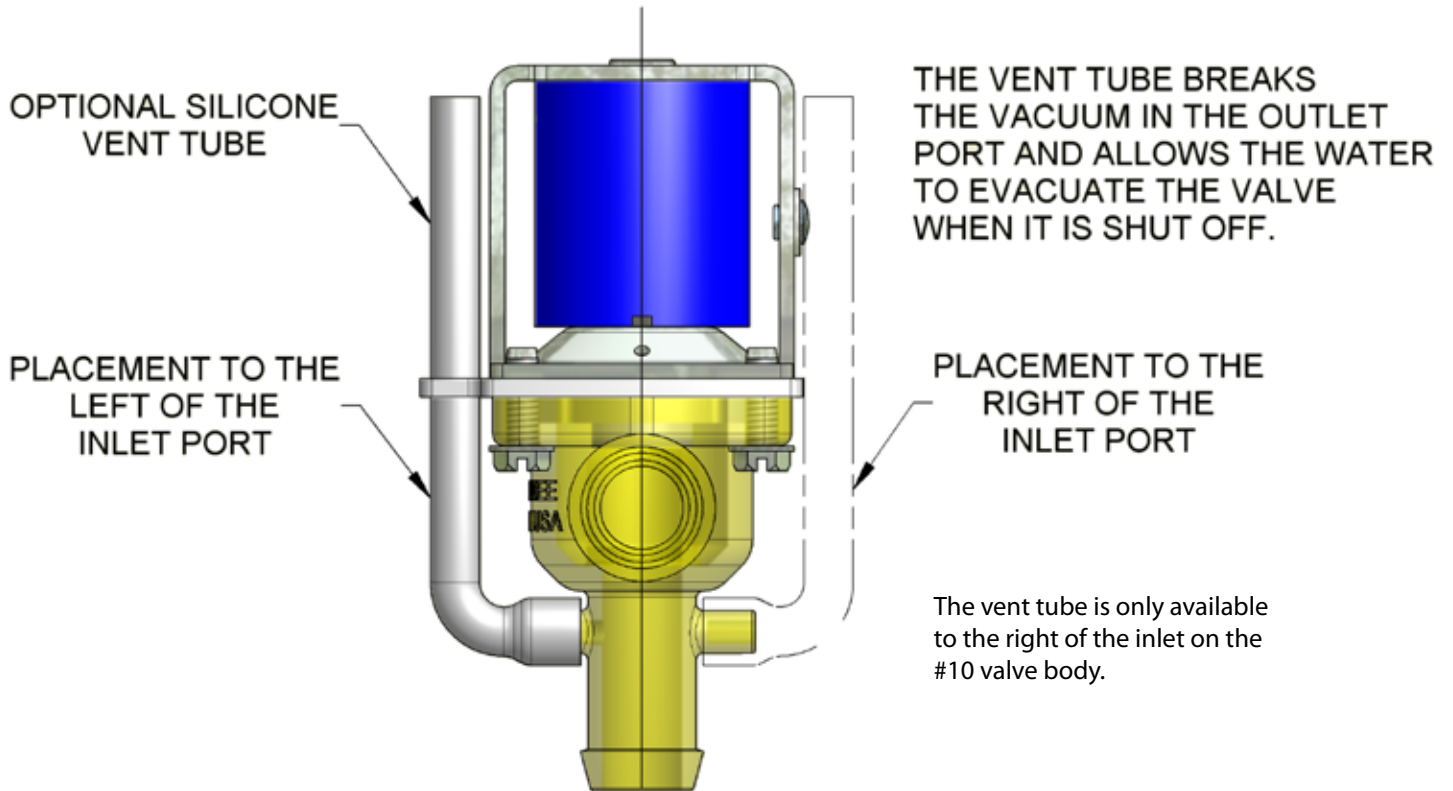


## Valve Body Options

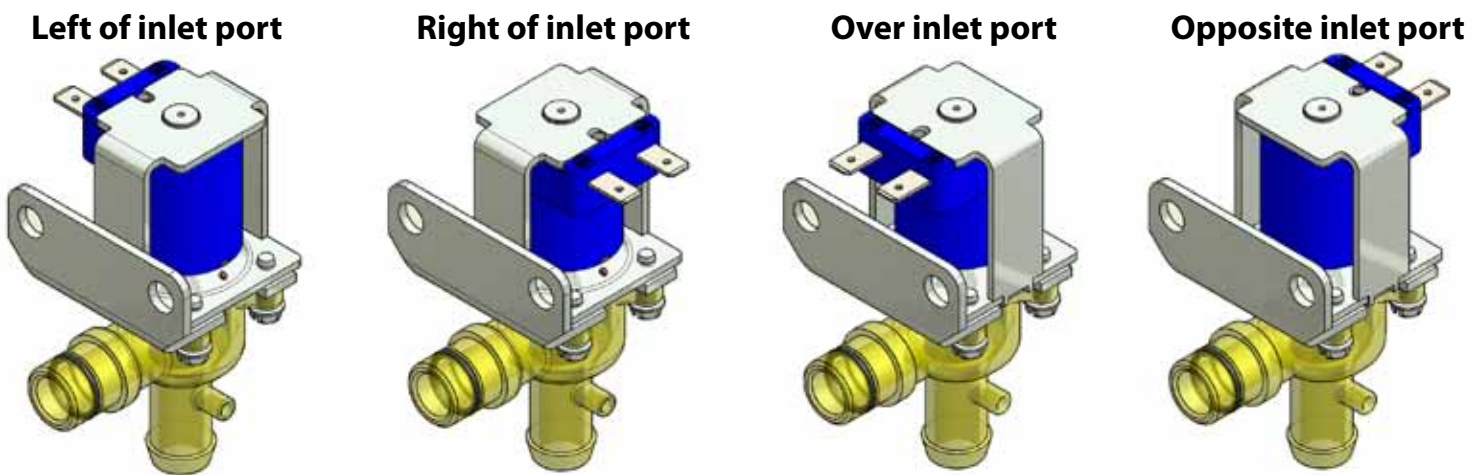
Units: Inches [mm]



## Vent Tube Options

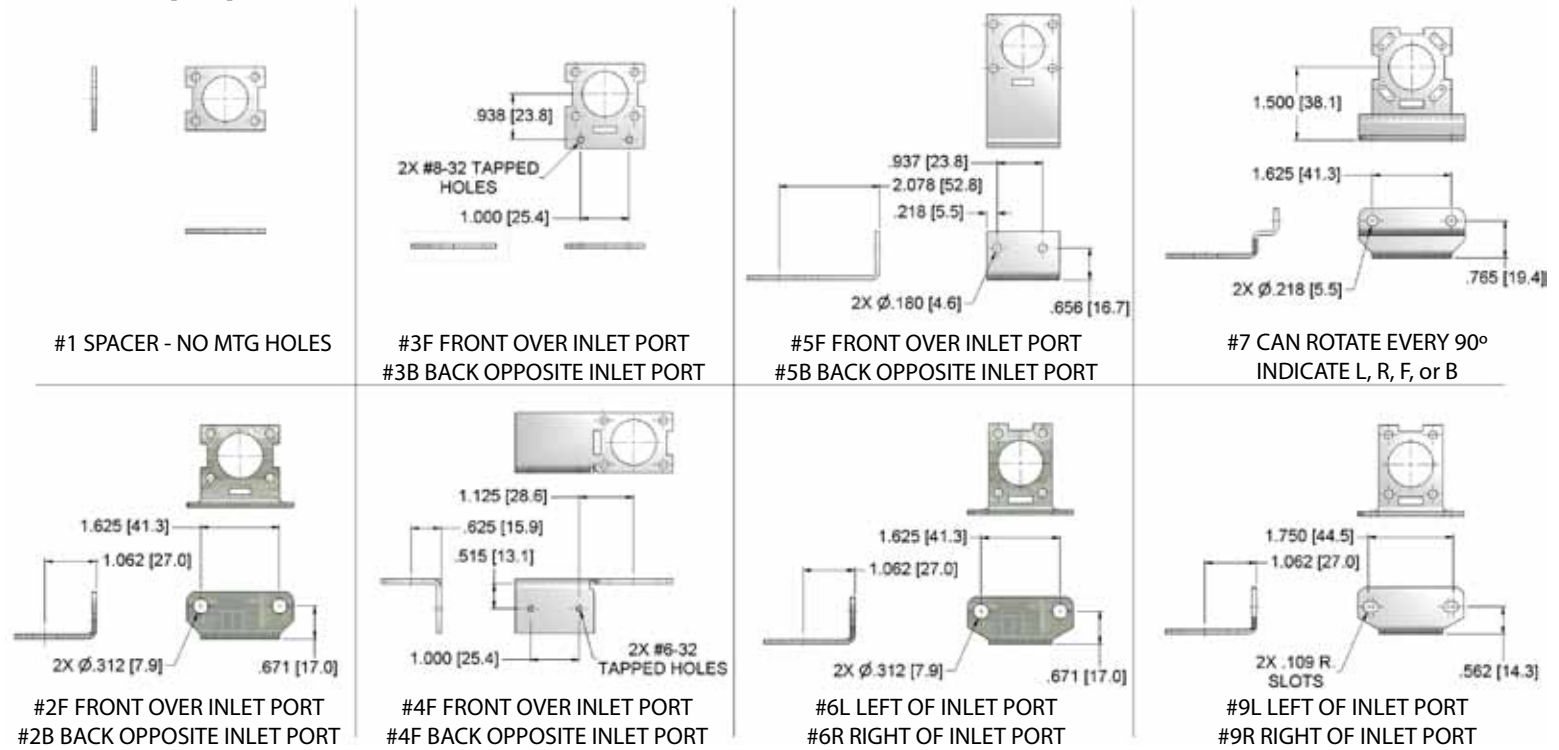


## Coil Terminal Position Options



## Mounting Bracket Options

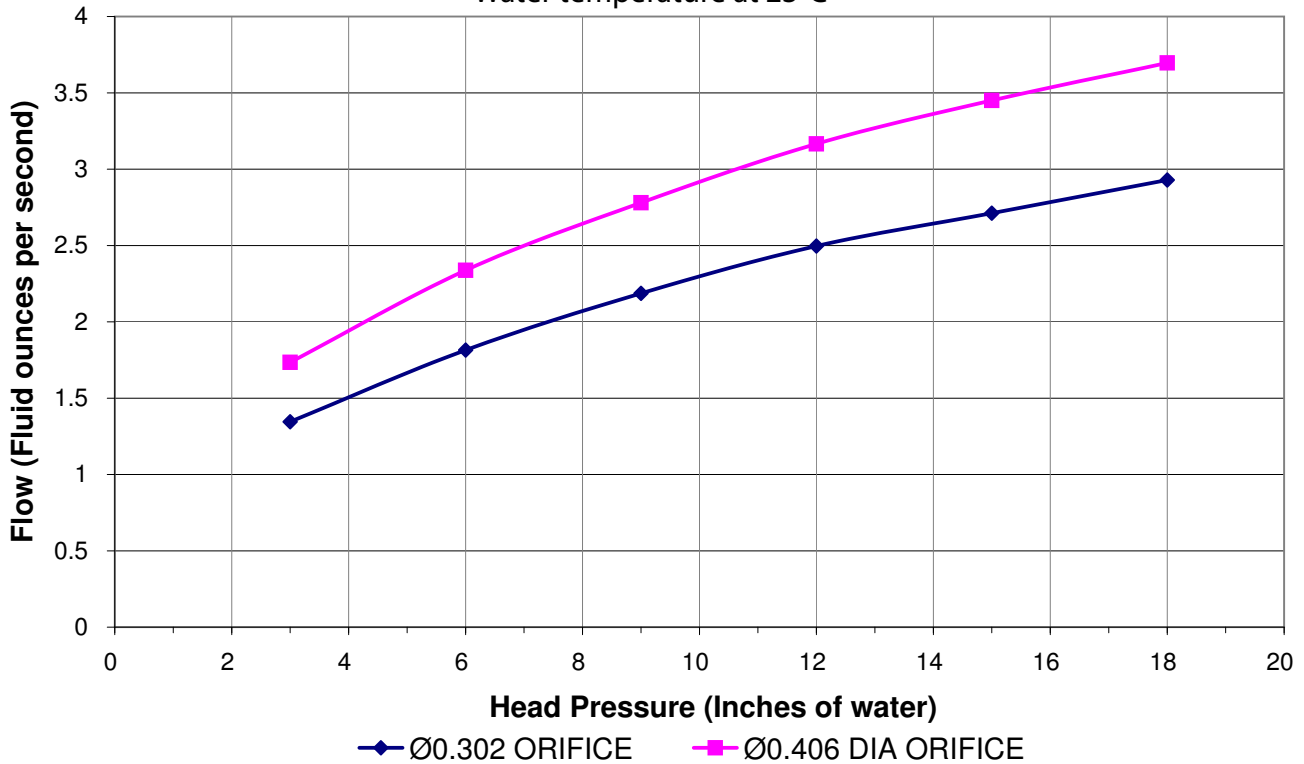
Units: Inches [mm]



## Flow Data

Flow data is approximate and will be affected by application variables.  
User must verify performance in their application.

Water temperature at 23°C



## Alternate Coil Options

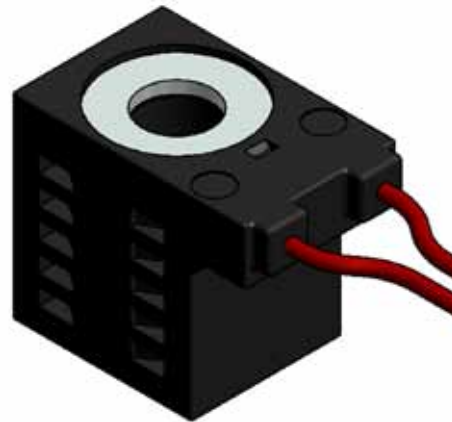
The coil termination options below are now available for our DSVP11 valve. Benefits include expanded connection options, improved ingress protection, and improved corrosion resistance.

### ISO 4400 (DIN 43650 FORM A)



- IP-67 Rating
- Encapsulated class F (155° C) coil construction

### MOLDED-IN 20 GA LEAD WIRES



- Connectors can be assembled to lead wires
- Encapsulated class F (155° C) coil construction

### DEUTSCH DT04-2P



- IP-69 Rating
- Encapsulated class F (155° C) coil construction

### QUICK CONNECT 1/4" SPADE TERMINALS



- Encapsulated class F (155° C) coil construction

## Ordering Information - Non-Standard Configurations

(Minimum Quantities Apply)

When ordering, please provide as much of the following information as possible to help specify the appropriate valve configuration for your application. If you require assistance, please contact a Deltrol Controls Sales Engineer:

1. What voltage will be supplied to the valve?
  - 12VDC • 24VAC 50/60Hz
  - 24VDC • 110/120VAC 50/60Hz
  - 36VDC • 220/240VAC 50/60Hz
2. Do you require fixed or adjustable flow? (See Dimensional View on page 2)
  - Fixed • Adjustable
3. What valve body option does your application require? (See Valve Body Options on page 2)
  - #1, #3, #4, #5, #6, #7, #8, #10, #11 (indicate Polysulfone or Nylon)
4. Do you require a vent tube? (See Vent Tube Options on page 3)
  - No • Yes, left of inlet port • Yes, right of inlet port
5. How do you want the coil terminals oriented? (See Coil Terminal Orientation Options on page 3)
  - Left of inlet port • Right of inlet port
  - Over inlet port • Opposite inlet port
6. What coil spade terminal configuration will your application require?
  - Straight, as shown in the Dimensional View on page 2
  - Bent up (either 45° or 90°), away from valve body
  - Bent down (either 45° or 90°), toward valve body
7. What type of mounting bracket do you require? (See Mounting Bracket Options on page 4)
  - #1, #2F, #2B, #3F, #3B, #4F, #4B, #5F, #5B, #6L, #6R, #7(L,R,F,B), #9L, or #9R
8. What is the head pressure in your application in inches of water column?
9. Do you require an alternate coil option shown on page 5?
  - ISO 4400 (DIN 43650 Form A) • Molded-in lead wires
  - Deutsch DT04-2P • 1/4" spade terminals

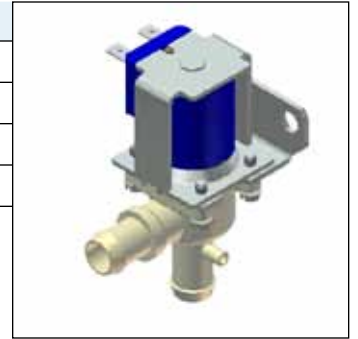


## Ordering Information - Standard Configurations

The parts listed below are standard configurations that are typically available through distribution. Please contact your nearest Deltrol distributor for small volume pricing.

| Part Number | Model              | Voltage              |
|-------------|--------------------|----------------------|
| 70039-80    | DSVP11-8PX-8SL-2B5 | 12 VDC               |
| 70039-81    | DSVP11-8PX-8SL-2B5 | 24 VDC               |
| 70039-82    | DSVP11-8PX-8SL-2B5 | 36 VDC               |
| 70040-81    | DSVP11-8PX-8SL-2B5 | 110/120 VAC 50/60 HZ |
| 70040-82    | DSVP11-8PX-8SL-2B5 | 220/240 VAC 50/60 HZ |

- COIL TERMINATION: 0.25x0.03 TERMINALS (ORIENTED TO LEFT OF INLET PORT)
- FIXED FLOW
- VALVE BODY #8 - SEE PAGE 2 FOR DETAILS
- NO VENT TUBE
- VALVE BODY MATERIAL: PA66 - NYLON
- DIAPHRAGM MATERIAL: FKM - VITON®
- #2 BRACKET - SEE PAGE 4 FOR DETAILS (ORIENTED TO BACK OF INLET PORT)
- AC COILS ARE INTERNALLY RECTIFIED



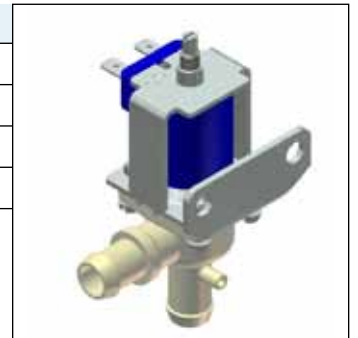
| Part Number | Model                | Voltage              |
|-------------|----------------------|----------------------|
| 70041-80    | DSVP11-8PX-8SL-2B5-L | 12 VDC               |
| 70041-81    | DSVP11-8PX-8SL-2B5-L | 24 VDC               |
| 70041-82    | DSVP11-8PX-8SL-2B5-L | 36 VDC               |
| 70042-81    | DSVP11-8PX-8SL-2B5-L | 110/120 VAC 50/60 HZ |
| 70042-82    | DSVP11-8PX-8SL-2B5-L | 220/240 VAC 50/60 HZ |

- COIL TERMINATION: ISO 4400 (DIN 43650 FORM A) (ORIENTED TO LEFT OF INLET PORT)
- FIXED FLOW
- VALVE BODY #8 - SEE PAGE 2 FOR DETAILS
- NO VENT TUBE
- VALVE BODY MATERIAL: PA66 - NYLON
- DIAPHRAGM MATERIAL: FKM - VITON®
- #2 BRACKET - SEE PAGE 4 FOR DETAILS (ORIENTED TO BACK OF INLET PORT)
- AC COILS ARE INTERNALLY RECTIFIED



| Part Number | Model              | Voltage              |
|-------------|--------------------|----------------------|
| 70043-80    | DSVP11-8PX-7SL-6R5 | 12 VDC               |
| 70043-81    | DSVP11-8PX-7SL-6R5 | 24 VDC               |
| 70043-82    | DSVP11-8PX-7SL-6R5 | 36 VDC               |
| 70044-81    | DSVP11-8PX-7SL-6R5 | 110/120 VAC 50/60 HZ |
| 70044-82    | DSVP11-8PX-7SL-6R5 | 220/240 VAC 50/60 HZ |

- COIL TERMINATION: 0.25x0.03 TERMINALS (ORIENTED TO LEFT OF INLET PORT)
- ADJUSTABLE FLOW
- VALVE BODY #8 - SEE PAGE 2 FOR DETAILS
- NO VENT TUBE
- VALVE BODY MATERIAL: PA66 - NYLON
- DIAPHRAGM MATERIAL: VMQ - SILICONE
- #6 BRACKET - SEE PAGE 4 FOR DETAILS (ORIENTED TO RIGHT OF INLET PORT)
- AC COILS ARE INTERNALLY RECTIFIED



VITON® is a registered trademark of DuPont

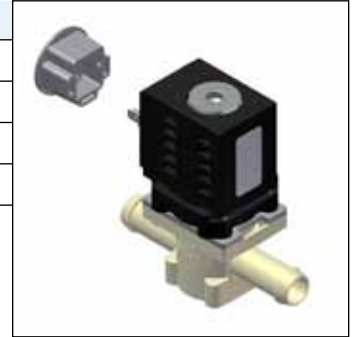
Specifications subject to change without notice

## Ordering Information - Standard Configurations

The parts listed below are standard configurations that are typically available through distribution. Please contact your nearest Deltrol distributor for small volume pricing.

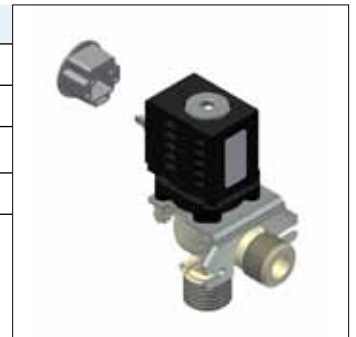
| Part Number | Model                 | Voltage              |
|-------------|-----------------------|----------------------|
| 70045-80    | DSVP11-10PX-8SF-1X5-L | 12 VDC               |
| 70045-81    | DSVP11-10PX-8SF-1X5-L | 24 VDC               |
| 70045-82    | DSVP11-10PX-8SF-1X5-L | 36 VDC               |
| 70046-81    | DSVP11-10PX-8SF-1X5-L | 110/120 VAC 50/60 HZ |
| 70046-82    | DSVP11-10PX-8SF-1X5-L | 220/240 VAC 50/60 HZ |

- COIL TERMINATION: ISO 4400 (DIN 43650 FORM A) (ORIENTED TO FRONT OF INLET PORT)
- VALVE BODY MATERIAL: PA66 - NYLON
- DIAPHRAGM MATERIAL: VMQ - SILICONE
- #1 SPACER - SEE PAGE 4 FOR DETAILS
- AC COILS ARE INTERNALLY RECTIFIED
- FIXED FLOW
- VALVE BODY #10 - SEE PAGE 2 FOR DETAILS
- NO VENT TUBE

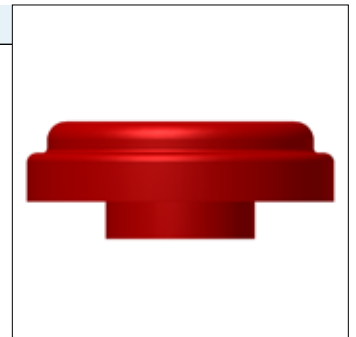


| Part Number | Model                  | Voltage              |
|-------------|------------------------|----------------------|
| 70047-80    | DSVP11-11PX-8SB-10F5-L | 12 VDC               |
| 70047-81    | DSVP11-11PX-8SB-10F5-L | 24 VDC               |
| 70047-82    | DSVP11-11PX-8SB-10F5-L | 36 VDC               |
| 70048-81    | DSVP11-11PX-8SB-10F5-L | 110/120 VAC 50/60 HZ |
| 70048-82    | DSVP11-11PX-8SB-10F5-L | 220/240 VAC 50/60 HZ |

- COIL TERMINATION: ISO 4400 (DIN 43650 FORM A) (ORIENTED TO BACK OF INLET PORT)
- VALVE BODY MATERIAL: PA66 - NYLON
- DIAPHRAGM MATERIAL: VMQ - SILICONE
- #10 BRACKET - SEE PAGE 4 FOR DETAILS (ORIENTED TO FRONT OF INLET PORT)
- AC COILS ARE INTERNALLY RECTIFIED
- FIXED FLOW
- VALVE BODY #11 - SEE PAGE 2 FOR DETAILS
- NO VENT TUBE




| Part Number | Description        |
|-------------|--------------------|
| 70043-09    | SILICONE DIAPHRAGM |





## Ordering Information - Standard Configurations

The parts listed below are standard configurations that are typically available through distribution. Please contact your nearest Deltrol distributor for small volume pricing.

| Part Number | Description      |   |
|-------------|------------------|---|
| 70043-02    | VITON® DIAPHRAGM |  |

For other part inquiries please call our factory.