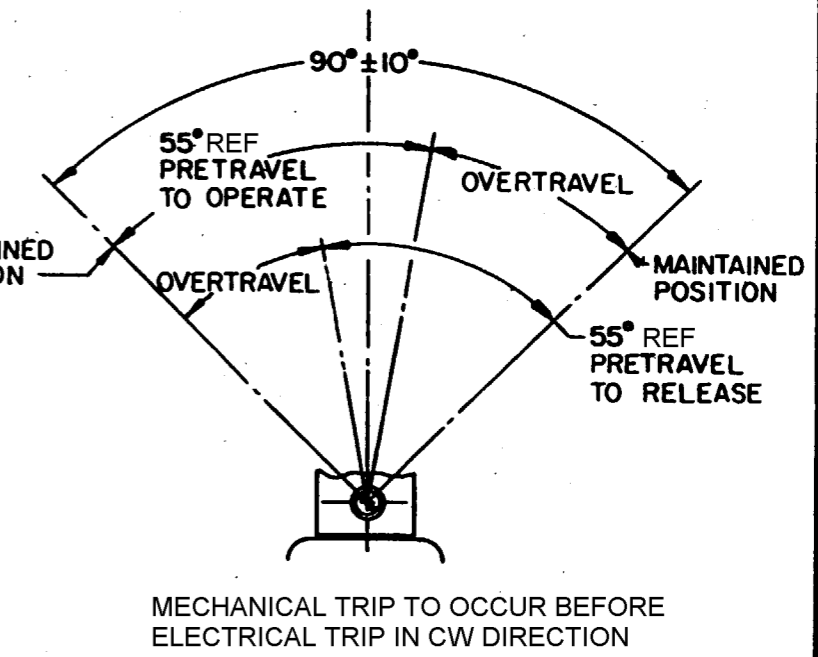
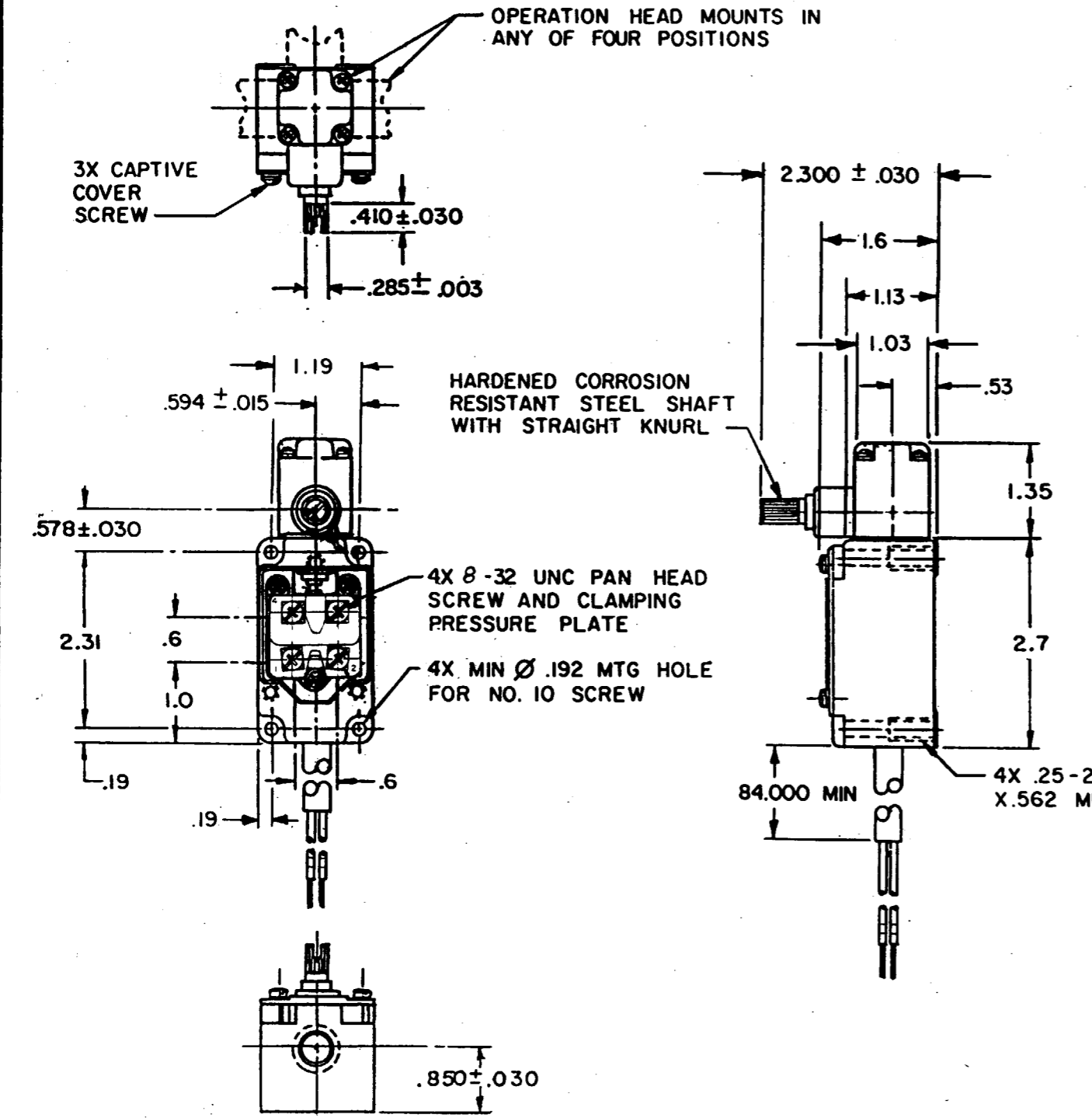
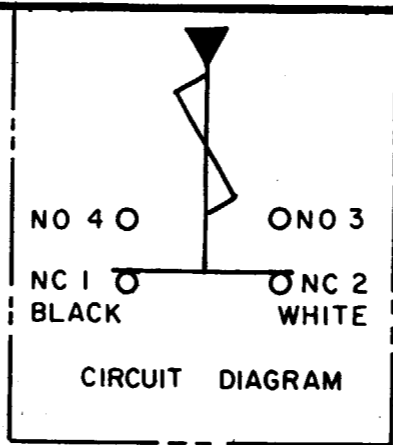


MICRO SWITCH
 FREEPORT, ILLINOIS, U.S.A.
 A DIVISION OF HONEYWELL
 FED. MFG. CODE 91929

SWITCH-ENCLOSED

CATALOG LISTING
6LS2-7

6LS2-7
 M
 DRAWING NUMBER
 X
 ISSUE
 3
 REVISIONS
 A CO-77031
 J B B
 22 DEC 93
 B 202975
 GLH
 11MAY01
 CHECK
 G-R7 20 SEP 90
 CHECK
 SAV 17 SEP 90
 DRAWN
 FO-52851-B



NOTES
 1 - PROVIDED WITH 16 GAGE, 2 CONDUCTOR TYPE SO CABLE

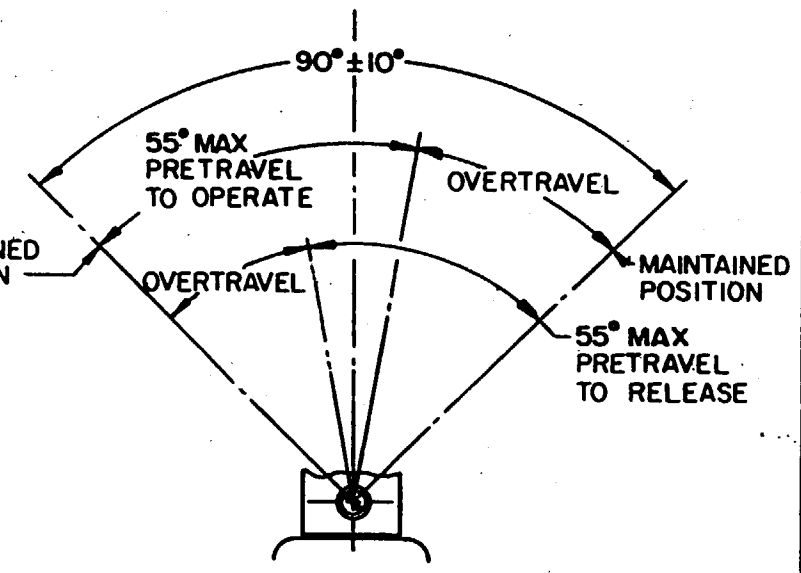
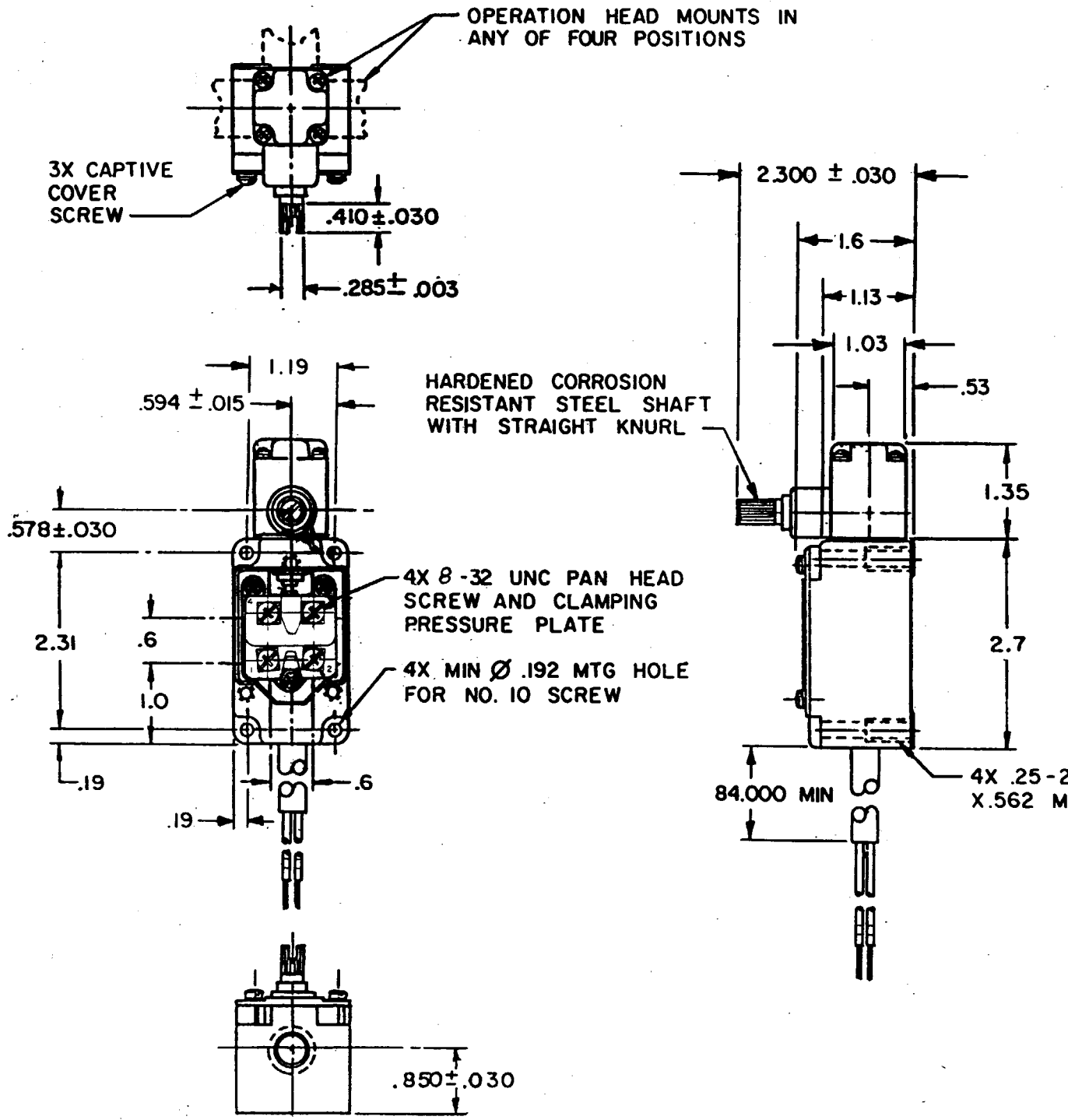
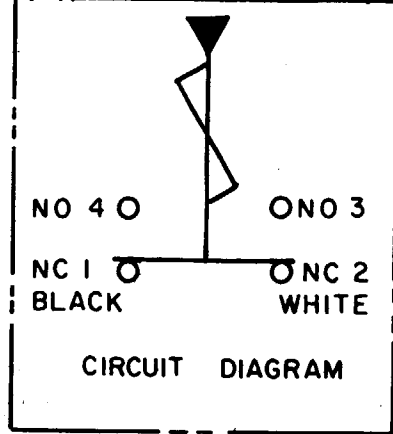
THIS DRAWING COVERS A PROPRIETARY ITEM AND IS THE PROPERTY OF MICRO SWITCH, A DIVISION OF HONEYWELL. THIS DRAWING IS NOT TO BE COPIED OR USED WITHOUT THE APPROVAL OF MICRO SWITCH		SCALE 1/2 TO 1
CHARACTERISTICS		DO NOT SCALE PRINT
OPERATING TORQUE ----- 3 IN LB MAX	ELECTRICAL DATA	UNLESS OTHERWISE SPECIFIED TOLERANCES ARE
	CONTACT ARRANGEMENT (SEE CIRCUIT DIAGRAM)	ONE PLACE (.0) \pm .030
	10A-120, 240, OR 480 VAC, 1/3 HP-120 VAC 3/4 HP-240 VAC; 0.8A-115 VDC; 0.4 A-230 VDC .1A-550 VDC	TWO PLACE (.00) \pm .015
	PILOT DUTY: 600 VAC MAX	THREE PLACE (.000) \pm .005
SWITCH-BASIC REPLACEMENT ----- 2MNI		ANGLES \pm
		THIRD ANGLE PROJECTION
		WEIGHT

MICRO SWITCH
 FREEPORT, ILLINOIS, U.S.A.
 A DIVISION OF HONEYWELL
 FED. MFG. CODE 91929

SWITCH-ENCLOSED

CATALOG LISTING
6LS2-7

6LS2-7
 M
 DRAWING NUMBER
 X 2
 ISSUE
 REVISIONS
 A CO-77031
 J D B
 22 DEC 93
 CHECK
 G-R7 20 SEP 90
 CHECK
 SAV 17 SEP 90
 DRAWN
 FO-52851-B



NOTES
 1 - PROVIDED WITH 16 GAGE, 2 CONDUCTOR TYPE SO CABLE

THIS DRAWING COVERS A PROPRIETARY ITEM AND IS THE PROPERTY OF MICRO SWITCH, A DIVISION OF HONEYWELL. THIS DRAWING IS NOT TO BE COPIED OR USED WITHOUT THE APPROVAL OF MICRO SWITCH.		SCALE 1/2 TO 1
CHARACTERISTICS		DO NOT SCALE PRINT
OPERATING TORQUE ----- 3 IN LB MAX	ELECTRICAL DATA	UNLESS OTHERWISE SPECIFIED TOLERANCES ARE
	CONTACT ARRANGEMENT (SEE CIRCUIT DIAGRAM)	ONE PLACE (.0) ± .030
	10A-120, 240, OR 480 VAC, 1/3 HP-120 VAC	TWO PLACE (.00) ± .015
	3/4 HP-240 VAC; 0.8A-115 VDC; 0.4 A-230 VDC	THREE PLACE (.000) ± .005
	.1A-550 VDC	ANGLES ±
	PILOT DUTY: 600 VAC MAX	THIRD ANGLE PROJECTION
SWITCH-BASIC REPLACEMENT ----- 2MNI		WEIGHT