

67S Series - Low Coil Power - Compact Size

DPDT, 4PDT, 3 Amp



The 67S series is the smallest of the sensitive relay series yet is capable of up to 4 poles. Double pole versions can operate under 100mW of power. Four pole designs can operate under 200mW. Relays can be plugged into a socket (CSX versions) or directly soldered into circuit boards (PCX versions). All are rated at 3 amps. Sensitive relays are ideal when power supply current is questionable or unable to drive less efficient relays. Sensitive relays also excel where input voltage swings beyond normal limits.

GENERAL SPECIFICATIONS (@ 25° C)

Contacts:

Contact Configuration	DPDT, 4PDT
Contact Material	Silver
Contact Rating	
120 / 240VAC Resistive	3 Amp
28VDC Resistive	3 Amp
Contact Resistance, Initial	100 milliohms max @ 6VDC

Coil:

Coils Available	DC
Minimum Coil Power	
Single Pole	-
Double Pole	88mW
3 Pole	-
4 Pole	188mW
Duty	Continuous

Timing:

Operate Time (max)	15mS
Release Time (max)	10mS

Dielectric Strength:

Across Open Contacts	500Vrms
Between Mutually Insulated Points	1500Vrms
Insulation Resistance	1,000 Mohms min @ 500VDC

Temperature:

Operating	-20 to 70°C (-4 to 158°F)
Storage	-40 to 105°C (-40 to 221°F)

Life Expectancy:

Electrical (full load operations)	100,000
Mechanical (no load operations)	10,000,000

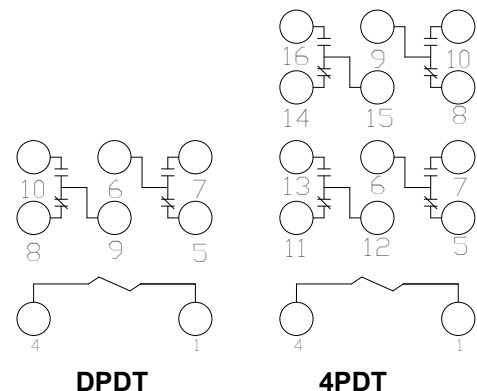
Miscellaneous:

Mounting Position	Any
Mating Socket	2 Pole = SK-REC10-PW 4 Pole = SK-REC16-PW
Accessories	Hold down clip included w/ socket
Enclosure	Clear Polycarbonate
Weight	1.4oz (40 grams)



Smallest Sensitive Package

67S Wire Diagram



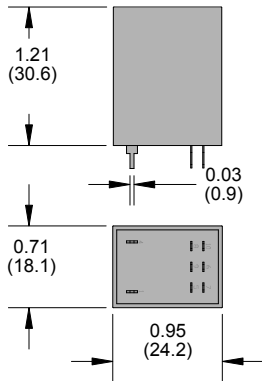
Sensitive - Low Input Power Relays

2 - 5 Amp

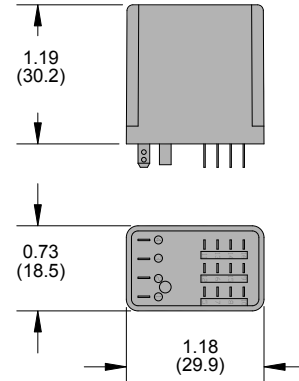
Outline Dimensions

Dimensions Shown in inches & (millimeters)

DPDT Version



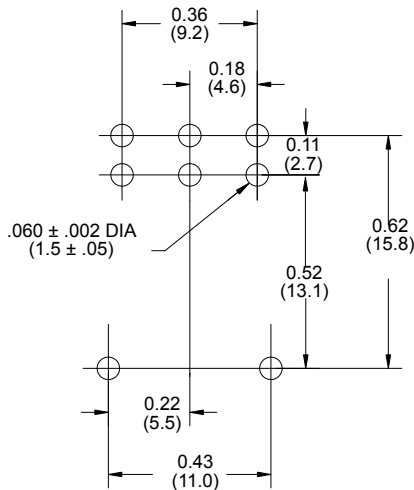
4PDT Version



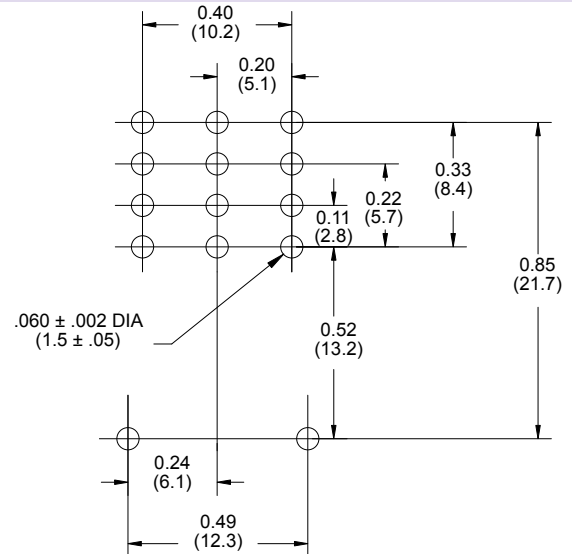
P.C. Drill Pattern

Suggested printed circuit board layout

DPDT Version



4PDT Version



67S Part Number Chart

<i>PC Mount</i>	<i>Plug-in</i>	<i>Minimum Input Current mADC</i>	<i>Resistance ohm ±10%</i>	<i>Voltage Range</i>
DPDT (2 form C)				
67SPCX-1	67SCSX-1	9.4	1000	9.4 - 28.8VDC
67SPCX-2	67SCSX-2	6.4	2500	16.0 - 48.0VDC
67SPCX-3	67SCSX-3	4.5	5000	22.5 - 67.5VDC
4PDT (4 form C)				
67SPCX-6	67SCSX-6	13.7	1000	13.7 - 28.2VDC
67SPCX-7	67SCSX-7	9.1	2500	22.8 - 48.0VDC
67SPCX-8	67SCSX-8	6.5	5000	32.5 - 67.5VDC