

High Current Toroid Inductors (with header)

Special Features

- Low radiation
- High current capacity
- High inductance
- Mounted on UL 94V-0 rated header
- Fixed pins for easy PCB insertion
- Operating temperature:
-55 to +105 °C

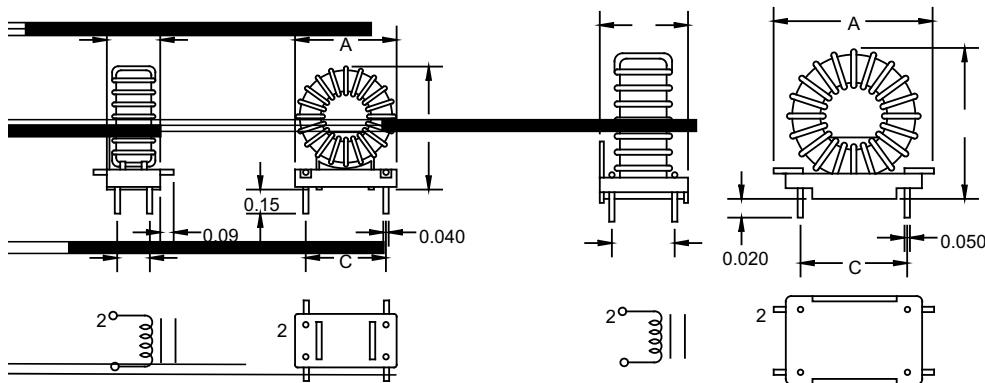
† RoHS Directive 2002/95/EC Jan 27 2003 including Annex.



This series is currently available, but not recommended for new designs.

| 6700 Series | | | | | | | | | |
|-------------|----------------------|------------|-----------------------|------------|-------------|-------------|---------------|---------------|-------------|
| Part Number | L (μH) ±15 % @ 1 KHz | I (A) Max. | L (μH) Min. @ I rated | DCR Ω Max. | Dim. A Max. | Dim. B Max. | Dim. C ±0.015 | Dim. D ±0.015 | Dim. E Max. |
| 6701-RC | 10 | 11.0 | 5 | 0.008 | 0.875 | 0.425 | 0.600 | 0.250 | 1.00 |
| 6702-RC | 25 | 5.50 | 12 | 0.014 | 0.875 | 0.425 | 0.600 | 0.250 | 1.00 |
| 6703-RC | 125 | 2.75 | 70 | 0.12 | 0.875 | 0.425 | 0.600 | 0.250 | 1.00 |
| 6704-RC | 275 | 2.00 | 150 | 0.24 | 0.875 | 0.425 | 0.600 | 0.250 | 1.00 |
| 6705-RC | 450 | 1.50 | 250 | 0.49 | 0.875 | 0.425 | 0.600 | 0.250 | 1.00 |
| 6706-RC | 25 | 9.00 | 15 | 0.012 | 1.125 | 0.600 | 0.800 | 0.400 | 1.25 |
| 6707-RC | 75 | 5.00 | 40 | 0.04 | 1.125 | 0.600 | 0.800 | 0.400 | 1.25 |
| 6708-RC | 400 | 2.25 | 225 | 0.33 | 1.125 | 0.600 | 0.800 | 0.400 | 1.25 |
| 6709-RC | 800 | 1.75 | 475 | 0.64 | 1.125 | 0.600 | 0.800 | 0.400 | 1.25 |
| 6710-RC | 1000 | 1.50 | 675 | 0.98 | 1.125 | 0.600 | 0.800 | 0.400 | 1.25 |
| 6711-RC | 50 | 9.50 | 25 | 0.012 | 1.250 | 0.800 | 0.900 | 0.600 | 1.375 |
| 6712-RC | 150 | 4.75 | 85 | 0.046 | 1.250 | 0.800 | 0.900 | 0.600 | 1.375 |
| 6713-RC | 700 | 2.25 | 400 | 0.42 | 1.250 | 0.800 | 0.900 | 0.600 | 1.375 |
| 6714-RC | 1250 | 1.75 | 750 | 0.85 | 1.250 | 0.800 | 0.900 | 0.600 | 1.375 |
| 6715-RC | 1600 | 1.50 | 950 | 1.27 | 1.250 | 0.800 | 0.900 | 0.600 | 1.375 |
| 6716-RC | 125 | 7.75 | 65 | 0.032 | 1.812 | 0.900 | 1.200 | 0.700 | 1.95 |
| 6717-RC | 500 | 4.00 | 275 | 0.15 | 1.812 | 0.900 | 1.200 | 0.700 | 1.95 |
| 6718-RC | 1100 | 2.50 | 650 | 0.33 | 1.812 | 0.900 | 1.200 | 0.700 | 1.95 |
| 6719-RC | 2250 | 1.75 | 1350 | 0.92 | 1.812 | 0.900 | 1.200 | 0.700 | 1.95 |
| 6720-RC | 4500 | 1.25 | 2700 | 2.64 | 1.812 | 0.900 | 1.200 | 0.700 | 1.95 |
| 6721-RC | 250 | 8.00 | 125 | 0.041 | 2.125 | 1.100 | 1.500 | 0.900 | 2.25 |
| 6722-RC | 900 | 3.75 | 500 | 0.175 | 2.125 | 1.100 | 1.500 | 0.900 | 2.25 |
| 6723-RC | 1800 | 2.50 | 1000 | 0.55 | 2.125 | 1.100 | 1.500 | 0.900 | 2.25 |
| 6724-RC | 4000 | 1.75 | 2100 | 1.16 | 2.125 | 1.100 | 1.500 | 0.900 | 2.25 |
| 6725-RC | 8000 | 1.00 | 4500 | 3.34 | 2.125 | 1.100 | 1.500 | 0.900 | 2.25 |
| 6726-RC | 25 | 2.50 | 16 | 0.040 | 0.550 | 0.425 | 0.600 | 0.250 | 1.00 |
| 6727-RC | 35 | 2.50 | 29 | 0.035 | 0.700 | 0.425 | 0.600 | 0.250 | 1.00 |
| 6728-RC | 50 | 2.50 | 35 | 0.060 | 0.750 | 0.425 | 0.600 | 0.250 | 1.00 |
| 6729-RC | 100 | 2.50 | 70 | 0.080 | 0.850 | 0.425 | 0.600 | 0.250 | 1.00 |
| 6730-RC | 70 | 3.00 | 50 | 0.050 | 0.850 | 0.425 | 0.600 | 0.250 | 1.00 |
| 6731-RC | 40 | 4.00 | 30 | 0.025 | 0.850 | 0.425 | 0.600 | 0.250 | 1.00 |

“-RC” suffix indicates RoHS compliance.



6701-6705 & 6726-6731

6706-6725

Dimensions: Inches