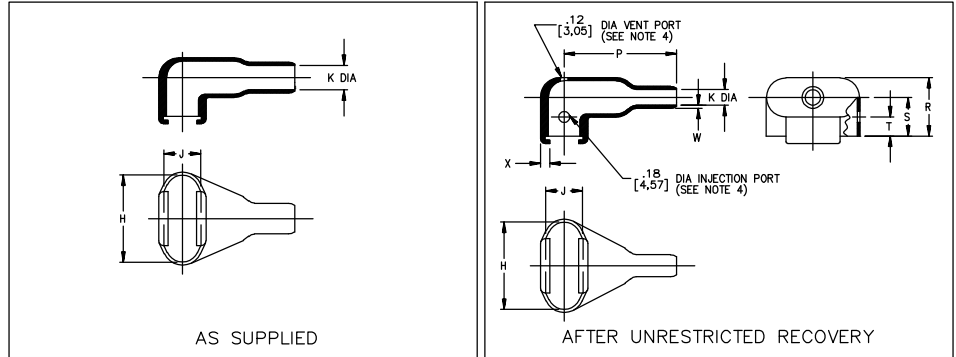


Thermofit[®] Molded Parts Specification Control Drawing

Part Number : 234A1XX
Description : Boot, Rectangular, Subminiature, 90° Side Entry

NOTES

- All dimensions are in $\frac{\text{inches}}{\text{[millimeters]}}$
- Dimensions appearing in table are as follows:
 - a - As Supplied
 - b - After Unrestricted Recovery
- Coating is optional. As supplied dimensions appearing in table are for uncoated parts. When coating is added, entry diameters will be reduced by .06 max.
- Molding ports are optional. When -00 modification number is specified molding ports will be located as shown.



PART NUMBER	H		J		K		P	R	S	T	W	X	This Boot Fits Cannon-Cinch
	±5% a	±5% b	±5% a	±5% b	Min	Max							
234A111	.80 [20,3]	.80 [20,3]	.42 [10,7]	.42 [10,7]	.31 [7,9]	.16 [4,1]	1.10 [27,9]	.73 [18,5]	.50 [12,7]	.31 [7,87]	.04 [1,02]	.12 [3,05]	DE-9
234A121	1.11 [28,2]	1.11 [28,2]	.42 [10,7]	.42 [10,7]	.40 [10,2]	.21 [5,3]	1.38 [35,1]	.74 [18,8]	.50 [12,7]	.31 [7,87]	.04 [1,02]	.12 [3,05]	DA-15
234A132	1.66 [42,2]	1.66 [42,2]	.42 [10,7]	.42 [10,7]	.55 [14,0]	.25 [6,4]	1.87 [47,5]	.79 [20,1]	.56 [14,2]	.31 [7,87]	.04 [1,02]	.12 [3,05]	DB-25
234A142	2.31 [58,7]	2.31 [58,7]	.42 [10,7]	.42 [10,7]	.68 [17,3]	.31 [7,9]	2.35 [59,7]	.79 [20,1]	.56 [14,2]	.31 [7,87]	.04 [1,02]	.12 [3,05]	DC-37
234A152	2.28 [57,9]	2.28 [57,9]	.54 [13,7]	.54 [13,7]	.75 [19,1]	.36 [9,1]	2.49 [63,2]	1.04 [26,4]	.69 [17,5]	.31 [7,87]	.04 [1,02]	.12 [3,05]	DD-50

STE Raychem
TE Connectivity
TE CONNECTIVITY
300 CONSTITUTION DRIVE
MENLO PARK, CALIFORNIA 94025

Revision : F1
Date : 20APR11

Part Number : 234A1XX
Description : Boot, Rectangular, Subminiature, 90° Side Entry

Thermofit[®] Molded Parts Specification Control Drawing

Part Number : 234A1XX
Description : Boot, Rectangular, Subminiature, 90° Side Entry

MATERIAL DASH NO.	MATERIAL DESCRIPTION	RT SPEC	COATING SLASH NO.	COATING S NO.	COATING DESCRIPTION
-3	Polyolefin, Semi-rigid	RT-301	/42;/86	S-1017;S-1048	Adhesive
-4	Polyolefin, Flexible	RT-1304	/42;/86	S-1017;S-1048	Adhesive
-8	Polyolefin Space	RT-1308	N/A		
-12	*VITON, Flexible	RT-1312	N/A		
-25	Elastomer, Fluid Resistant	RT-1325	/86	S-1048	Adhesive
-100	Polyolefin, Semi-flexible ZEROHAL™	RT-1323	/86	S-1048	Adhesive

*VITON is a Registered Trademark of Dupont

ORDERING INFORMATION

Base part number: 234A1XX
Material dash number (See Compatibility Chart): -XXX
Modification number (If necessary, see front of scd binder for a complete list): -XX
Adhesive slash number (If necessary, see Compatibility Chart): /XXX

IF THIS DOCUMENT IS PRINTED IT BECOMES UNCONTROLLED.
CHECK FOR THE LATEST REVISION.

SUPERSEDED
NOT the LATEST REVISION

THIS DRAWING IS SUBJECT TO CHANGE WITHOUT NOTICE; CONSULT YOUR NEAREST FIELD REPRESENTATIVE FOR CURRENT REVISION

STE Raychem
TE Connectivity
RAYCHEM CORPORATION
300 CONSTITUTION DRIVE
MENLO PARK, CALIFORNIA 94025

Revision : F1
Date : 20APR11

Part Number : 234A1XX
Description : Boot, Rectangular, Subminiature, 90° Side Entry
CAD FILE MP94012