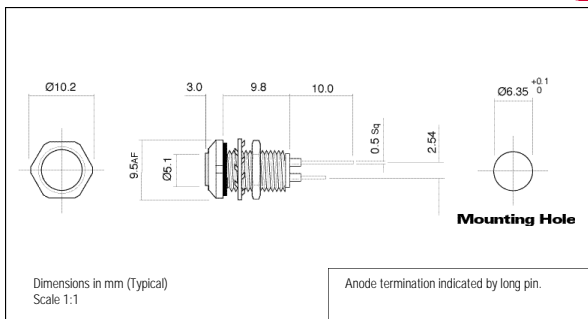


● PROFESSIONAL LED INDICATORS - Ø 6.35mm Mounting



- Black anodised aluminium housing
- Unique hexagonal bezel aids mounting
- Hard anodised option to marine specification
- Sealed to IP67



662 SERIES

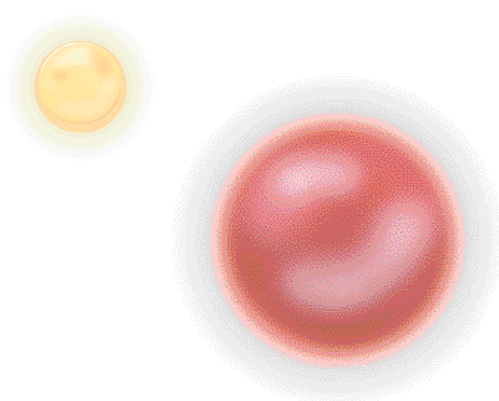
MLQ = 10

Ordering Information & Typical Technical Characteristics (Ta = 25°C)

Mean Time Between Failure = 100,000 Hours. Luminous intensity figures refer to the unmodified discrete LED.

| PART NUMBER | COLOUR | LENS | VOLTAGE DC Vf@20mA | CURRENT DC Iopr | LUMINOUS INTENSITY Iv@20mA | WAVE LENGTH p | VIEWING ANGLE | OPERATING TEMP Topr | STORAGE TEMP Tstg |
|---------------------------|--------|-------------------|--------------------|-----------------|----------------------------|---------------|---------------|---------------------|-------------------|
| STANDARD INTENSITY | | | | | | | | | |
| 662-303-04 | Red | Coloured Diffused | 2.0 | 20 | 100@10mA | 625 | Wide | -30 ~ +85 | -30 ~ +85 |
| 662-309-04 | Yellow | | 2.1 | 20 | 30@10mA | 590 | | | |
| 662-312-04 | Green | | 2.2 | 20 | 50@10mA | 565 | | | |
| HIGH INTENSITY | | | | | | | | | |
| 662-301-04 | Red | Coloured Diffused | 1.9 | 20 | 850 | 660 | Wide | -30 ~ +85 | -30 ~ +85 |
| 662-325-04 | Yellow | | 2.1 | 20 | 4400 | 590 | | | |
| 662-324-04 | Green | | 3.4 | 20 | 3400 | 525 | | | |
| 662-934-04 | Blue | | 3.4 | 20 | 1000 | 470 | | | |
| 662-998-04 | White | | 3.4 | 20 | 2000 | • | | | |
| UNITS | | | Vdc | mA | mcd | nm | | °C | °C |

• = Typical emission colour: x=0.31, y=0.32. Colour temperature 8000K. Intensities (Iv) and colour shades of white (x,y co-ordinates) may vary between LEDs within a batch.



- SAMPLES AVAILABLE
- CUSTOM DESIGN SERVICE
- ISO 9001: 1994 APPROVED
- LED PRODUCTS CAN BE STATIC SENSITIVE
- FOR NEW PRODUCTS SEE OUR WEBSITE