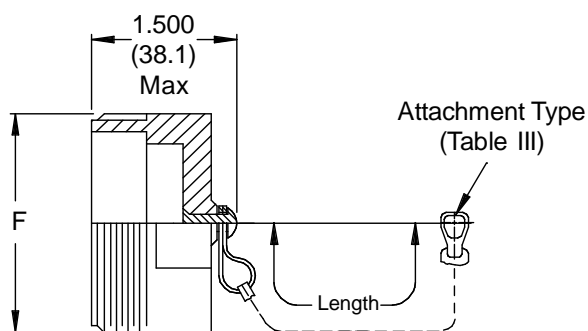
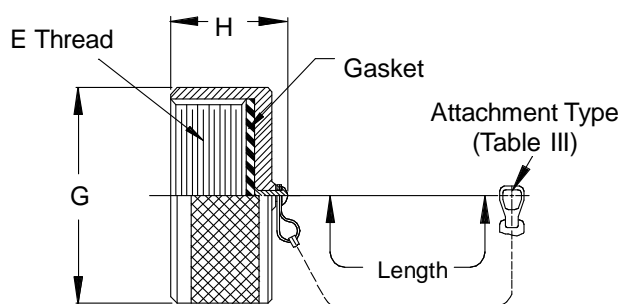


MIL-C-22992

660-006 G 16 S 5 -04
 Basic Part No. _____
 660-006 Plug
 660-007 Receptacle
 Finish (Table II) _____
 Shell Size (Table X) _____

Ring or Eyelet Dash No.
 (Tables IV, V, VI, VII)
 Attachment Length (in inches)
 Attachment Type (Table III)


660-006 Plug Cover

660-007 Receptacle Cover
TABLE X: SHELL SIZE DIMENSIONS

Shell Size	E Thread	F Max	G Max	H Max
12	.8750-0.1P-0.2L-DS	.875 (22.2)	1.094 (27.8)	.765 (19.4)
14	1.0000-0.1P-0.2L-DS	1.000 (25.4)	1.219 (31.0)	.765 (19.4)
16	1.1250-0.1P-0.2L-DS	1.125 (28.6)	1.344 (34.1)	.980 (24.9)
18	1.2500-0.1P-0.2L-DS	1.250 (31.8)	1.469 (37.3)	.980 (24.9)
20	1.3750-0.1P-0.2L-DS	1.375 (34.9)	1.562 (39.7)	.980 (24.9)
22	1.5000-0.1P-0.2L-DS	1.500 (38.1)	1.688 (42.9)	.980 (24.9)
24	1.7500-0.1P-0.2L-DS	1.750 (44.5)	1.938 (49.2)	.980 (24.9)
28	2.0000-0.1P-0.2L-DS	2.000 (50.8)	2.219 (56.4)	.980 (24.9)
32	2.2500-0.1P-0.2L-DS	2.250 (57.2)	2.469 (62.7)	.980 (24.9)
36	2.5000-0.1P-0.2L-DS	2.500 (63.5)	2.719 (69.1)	.980 (24.9)
40	2.7500-0.1P-0.2L-DS	2.750 (69.9)	2.969 (75.4)	.980 (24.9)

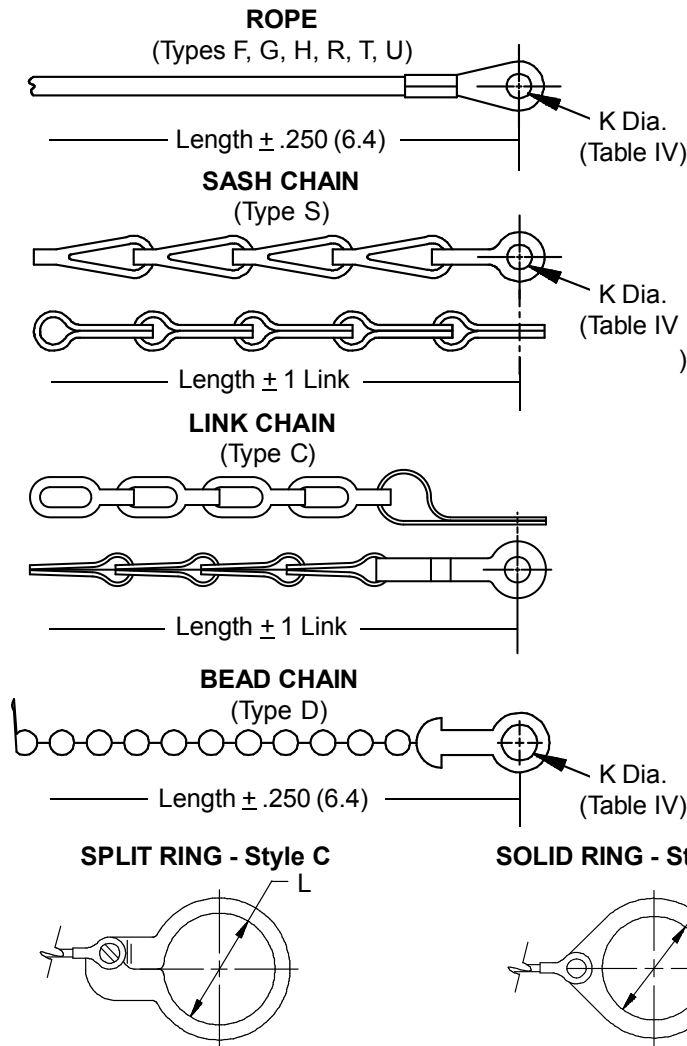
See inside back cover fold-out or page 14 for Table II.

Metric dimensions (mm) are indicated in parentheses.

**660-006 (Plug) - 660-007 (Receptacle)
Protective Covers
MIL-C-22992**



66 & 78



Sym	Attachment Type
C	Link Chain, Cres., Nickel Plate
D	Bead Chain, Cres., Passivate
F	Wire Rope, Nylon Jacket
G	Nylon Rope
H	Wire Rope, Teflon Jacket
N	No Attachment
R	Wire Rope, PVC Jacket
S	#8 Sash Chain, Cres., Passivate
T	Wire Rope, No Jacket
U	Wire Rope, Polyurethane Jacket with Terminal

Dash No.	K DIA
01	.140 (3.6)
02	.182 (4.6)
03	.191 (4.9)
04	.197 (5.0)
05	.167 (4.2)
06	.125 (3.2)
07	.218 (5.5)
09	.156 (4.0)
00	No Eyelet

Dash No.	L Dia. $\pm .015$ (0.4)	Dash No.	L Dia. $\pm .015$ (0.4)
50	.425 (10.8)	74	1.625 (41.3)
52	.485 (12.3)	76	1.750 (44.5)
54	.640 (16.3)	78	1.875 (47.6)
56	.750 (19.1)	80	1.980 (50.3)
58	.890 (22.6)	82	2.060 (52.3)
60	1.015 (25.8)	84	2.235 (56.8)
62	1.095 (27.8)	86	2.310 (58.7)
64	1.130 (28.7)	88	2.475 (62.9)
66	1.250 (31.8)	90	2.655 (67.4)
68	1.350 (34.3)	92	2.810 (71.4)
70	1.390 (35.3)	94	3.045 (77.3)
72	1.485 (37.7)		

Dash No.	M Dia. $\pm .015$ (0.4)	Dash No.	M Dia. $\pm .015$ (0.4)
08	.468 (11.9)	24	1.484 (37.7)
10	.593 (15.1)	25	1.577 (40.1)
12	.718 (18.2)	27	1.640 (41.7)
13	.765 (19.4)	28	1.687 (42.8)
14	.844 (21.4)	29	1.765 (44.8)
15	.890 (22.6)	30	1.890 (48.0)
16	.968 (24.6)	31	1.953 (49.6)
17	1.015 (25.8)	32	1.968 (50.0)
18	1.093 (27.8)	33	2.077 (52.8)
19	1.140 (29.0)	35	2.140 (54.4)
20	1.203 (30.6)	36	2.187 (55.5)
21	1.265 (32.1)	40	2.406 (61.1)
22	1.343 (34.1)	44	2.656 (67.5)
23	1.453 (36.9)	48	3.031 (77.0)
		118	.310 (7.9)

Dash No.	N Dia. $\pm .015$ (0.4)	Dash No.	N Dia. $\pm .015$ (0.4)
095	.312 (7.9)	109	1.266 (32.2)
100	.391 (9.9)	209	1.312 (33.3)
101	.516 (13.1)	110	1.391 (35.3)
102	.583 (14.8)	210	1.438 (36.5)
103	.641 (16.3)	111	1.521 (38.6)
104	.708 (18.0)	211	1.536 (39.0)
105	.766 (19.5)	112	1.641 (41.7)
205	.788 (20.0)	113	1.766 (44.9)
106	.896 (22.2)	213	1.812 (46.0)
206	.907 (23.0)	114	1.891 (48.0)
107	1.016 (25.8)	214	1.938 (49.2)
207	1.025 (26.0)	115	2.078 (52.8)
108	1.141 (29.0)	116	2.406 (61.1)
308	1.188 (30.2)	117	2.510 (63.8)
208	1.203 (30.6)		