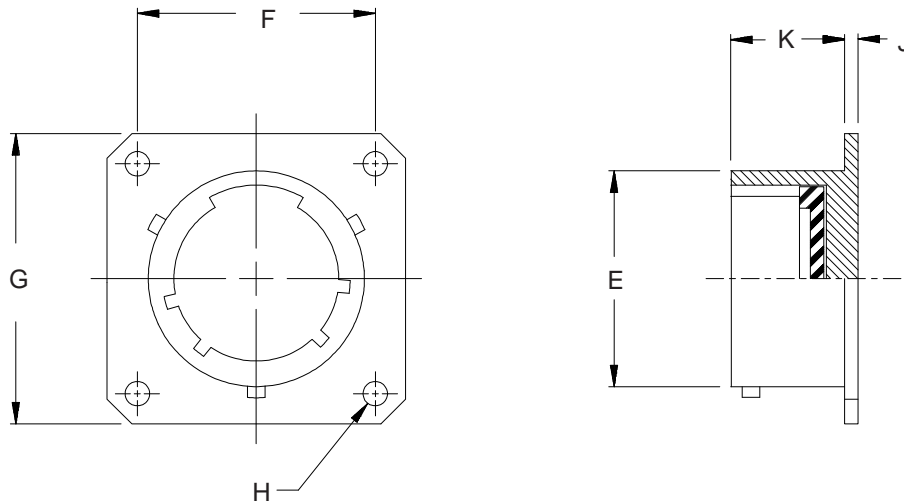
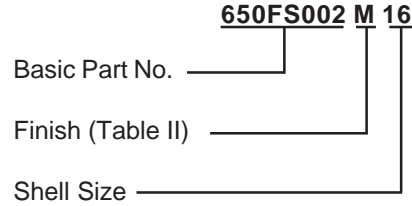


**650FS002**  
**Dummy Stowage Receptacles - Bayonet**  
**MIL-C-38999 Series II**



**MIL-C-38999**  
**Series II**



See inside back cover fold-out or page 14 for Table II.

**TABLE III: DIMENSIONS**

| Shell Size | E Max        | F            | G Max        | H Nom      | J          | K           |
|------------|--------------|--------------|--------------|------------|------------|-------------|
| 08         | .474 (12.0)  | .594 (15.1)  | .823 (20.9)  | .120 (3.0) | .063 (1.6) | .449 (11.4) |
| 10         | .591 (15.0)  | .719 (18.3)  | .949 (24.1)  | .120 (3.0) | .063 (1.6) | .449 (11.4) |
| 12         | .751 (19.1)  | .812 (20.6)  | 1.042 (26.5) | .120 (3.0) | .063 (1.6) | .449 (11.4) |
| 14         | .876 (22.3)  | .906 (23.0)  | 1.136 (28.9) | .120 (3.0) | .063 (1.6) | .449 (11.4) |
| 16         | 1.001 (25.4) | .969 (24.6)  | 1.230 (31.2) | .120 (3.0) | .063 (1.6) | .449 (11.4) |
| 18         | 1.126 (28.6) | 1.062 (27.0) | 1.323 (33.6) | .120 (3.0) | .063 (1.6) | .449 (11.4) |
| 20         | 1.251 (31.8) | 1.156 (29.4) | 1.449 (36.8) | .120 (3.0) | .063 (1.6) | .449 (11.4) |
| 22         | 1.376 (35.0) | 1.250 (31.8) | 1.573 (40.0) | .120 (3.0) | .063 (1.6) | .449 (11.4) |
| 24         | 1.501 (38.1) | 1.375 (34.9) | 1.699 (43.2) | .147 (3.7) | .063 (1.6) | .449 (11.4) |

1. For complete dimensions see Military Standard MIL-C-38999 Series II.
2. Metric dimensions (mm) are indicated in parentheses.