

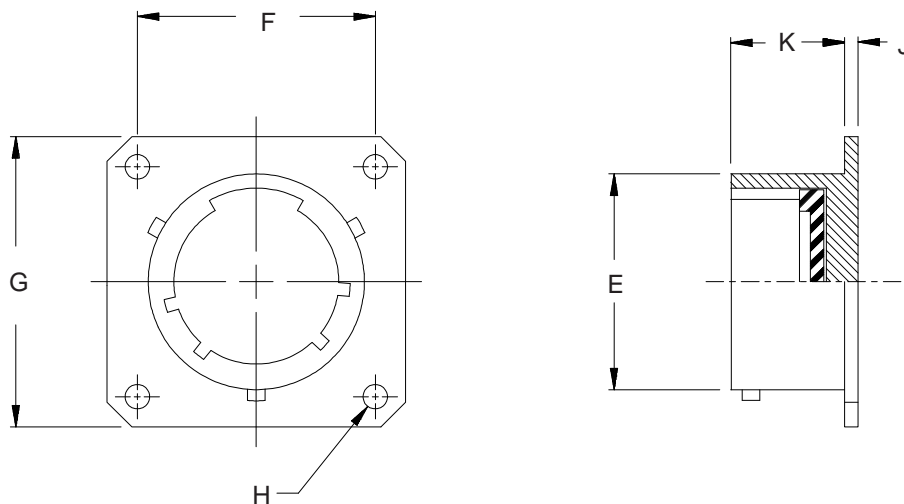
MIL-C-38999
Series I

650FS001 M 17

Basic Part No. _____

Finish (Table II) _____

Shell Size _____



See inside back cover fold-out or page 14 for Table II.

TABLE III: DIMENSIONS									
Shell Size	E Max	F	G		H Nom	J		K	
			+ .000	- .040		+ .015	- .000		
09	.573 (14.6)	.719 (18.3)	.949	(24.1)	.128	(3.3)	.085	(2.2)	.730 (18.5)
11	.701 (17.8)	.812 (20.6)	1.042	(26.5)	.128	(3.3)	.085	(2.2)	.730 (18.5)
13	.851 (21.6)	.906 (23.0)	1.136	(28.9)	.128	(3.3)	.085	(2.2)	.730 (18.5)
15	.976 (24.8)	.969 (24.6)	1.230	(31.2)	.128	(3.3)	.085	(2.2)	.730 (18.5)
17	1.101 (28.0)	1.062 (27.0)	1.323	(33.6)	.128	(3.3)	.085	(2.2)	.730 (18.5)
19	1.208 (30.7)	1.156 (29.4)	1.449	(36.8)	.128	(3.3)	.085	(2.2)	.730 (18.5)
21	1.333 (33.9)	1.250 (31.8)	1.573	(40.0)	.128	(3.3)	.115	(2.9)	.700 (17.8)
23	1.458 (37.0)	1.375 (34.9)	1.699	(43.2)	.147	(3.7)	.115	(2.9)	.700 (17.8)
25	1.583 (40.2)	1.500 (38.1)	1.823	(46.3)	.147	(3.7)	.115	(2.9)	.700 (17.8)

1. For complete dimensions see Military Standard MIL-C-38999 Series I.
2. Metric dimensions (mm) are indicated in parentheses.