

**MICRO SWITCH**  
 FREEPORT, ILLINOIS, U.S.A.  
 A DIVISION OF HONEYWELL  
 FED. MFG. CODE 91928

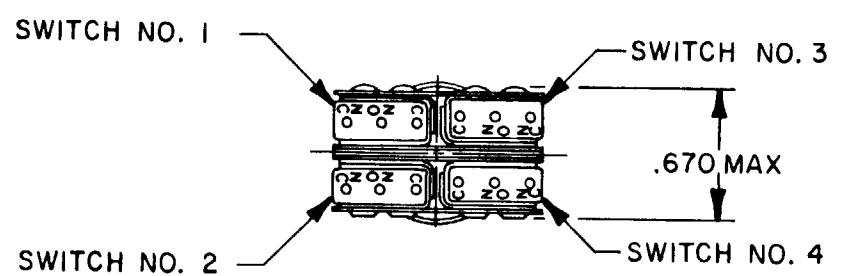
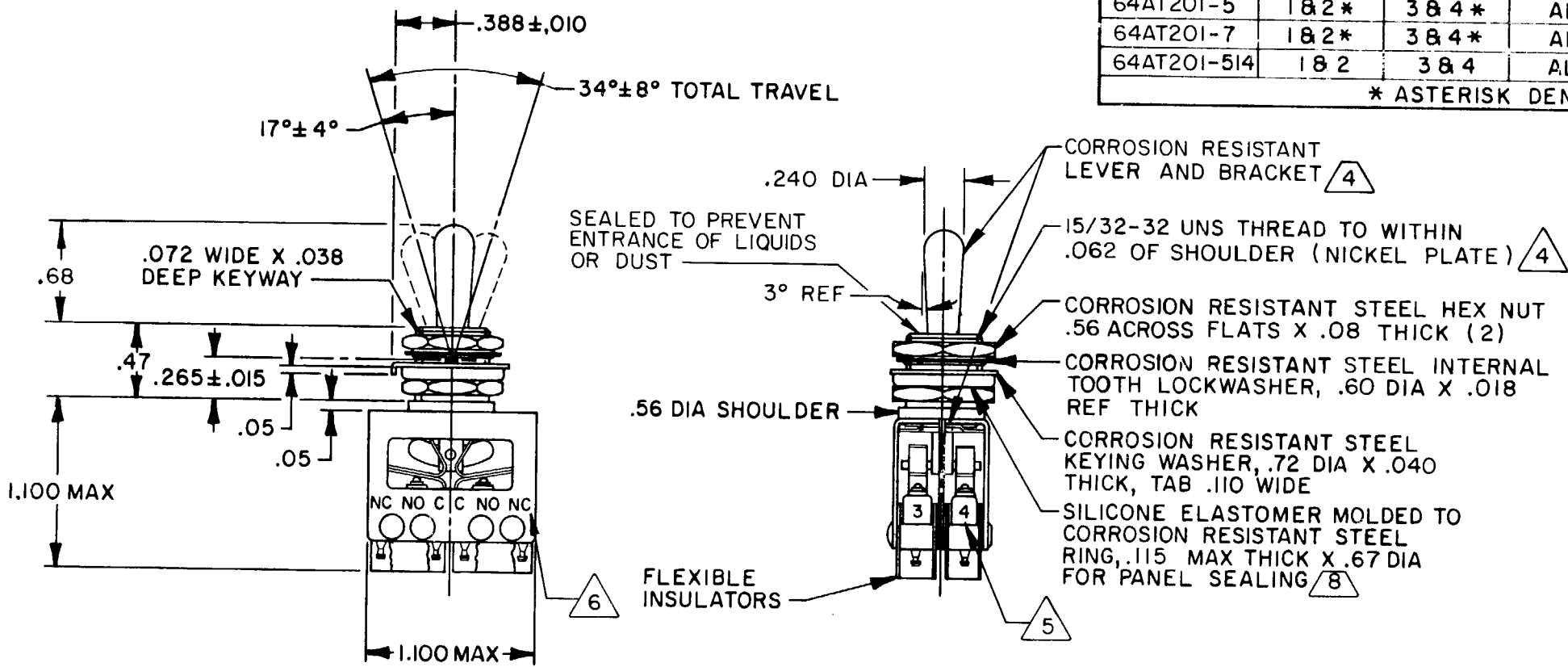
**ASSEMBLY -  
 TOGGLE SWITCH**

CATALOG LISTING  
**64AT201 SERIES**  
**CHART 1**

CATALOG LISTING	KEYWAY POSITION		CENTER POSITION		OPPOSITE KEYWAY POSITION	
	C-NC	C-NO	C-NC	C-NO	C-NC	C-NO
64AT201-1	1 & 2	3 & 4	ALL	NONE	3 & 4	1 & 2
64AT201-3	1 & 2	3 & 4	NONE	NONE	3 & 4	1 & 2
64AT201-5	1 & 2*	3 & 4*	ALL	NONE	3 & 4	1 & 2
64AT201-7	1 & 2*	3 & 4*	ALL	NONE	3 & 4*	1 & 2*
64AT201-514	1 & 2	3 & 4	ALL	NONE	3 & 4*	1 & 2*

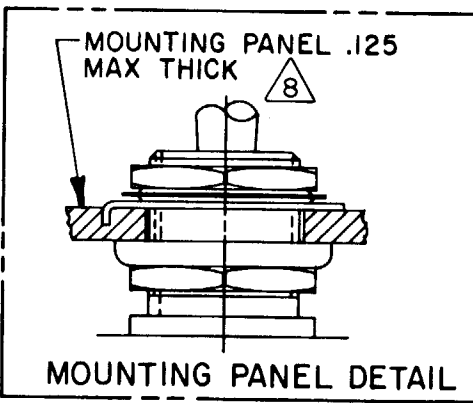
\* ASTERISK DENOTES MOMENTARY POSITION

64AT201 SERIES  
 CHART 1  
 M  
 DRAWING NUMBER  
 9  
 ISSUE  
 7  
 REPLACES  
 PR-11672  
 RELEASE NO.



**NOTES**

- 1 - UNIT INCLUDES "SX" TYPE BASIC SWITCH (4) WHICH MEETS REQUIREMENTS OF MIL-S-8805/4
- 2 - SWITCHES DO NOT NECESSARILY OPERATE SIMULTANEOUSLY
- 3 - TERMINALS ARE PLATED FOR SOLDERING
- (4) MATTE FINISH ON LEVER AND BUSHING
- (5) SWITCH NUMBERS STAMPED ON END OF BASIC SWITCHES
- (6) TERMINAL DESIGNATION STAMPED ON BOTH SIDES OF UNIT
- 7 - WHEN LEVER IS MOVED OUT OF A MAINTAINED POSITION, IT WILL RETURN OF ITS OWN ACCORD TO THE ORIGINAL POSITION OR THE ADJACENT POSITION. THE TOGGLE LEVER MAY HANG UP BETWEEN THE TWO ADJACENT POSITIONS ONLY BY EXERTING CONSIDERABLE EFFORT
- (8) FOR PANEL SEAL TO BE EFFECTIVE MOUNTING HOLE IN PANEL SHOULD NOT EXCEED .500 DIA



Furnished under United States Government Contract No. . Shall not be either released outside the Government, or used, duplicated or disclosed in whole or in part for manufacture or procurement, without the written permission of MICRO SWITCH, A Division of Honeywell, except for: (I) emergency repair or overhaul work by or for the Government, where the item or process concerned is not otherwise reasonably available to enable timely performance of the work; or (II) release to a foreign government, as the interests of the United States may require; provided that in either case the release, use, duplication or disclosure hereof shall be marked on any reproduction hereof in whole or in part.

**CHARACTERISTICS**

**ELECTRICAL DATA**

CONTACT ARRANGEMENT S P D T (4)	
------------------------------------	--

SCALE FULL			
DO NOT SCALE PRINT			
TOLERANCES			
APPLY TO DESIGN UNITS. CONVERSIONS ARE LINE Y FOR REFERENCE UNLESS NOTED. TOLERANCES ARE ±			
DIM.	TOL.	DIM.	TOL.
mm	mm/in	in	mm/in
NO PLACES	X	1/64	
ONE PLACE	X,X	0.4/0.16	X,X 0.8/0.3
TWO PLACES	X,XX	0.15/0.06	X,XX 0.38/0.15
THREE PLACES	X,XXX		X,XXX 0.13/0.05
ANGLES			
SI METRIC		US CUSTOMARY	
DESIGN UNITS		<input type="checkbox"/> SI METRIC <input checked="" type="checkbox"/> US CUSTOMARY	
THIRD ANGLE PROJECTION			
WEIGHT .07 LB APPROX			

**ELECTRICAL RATINGS**

LOAD	SEA LEVEL		50,000 FT
	28 Vdc (AMPERES)	115 Vac, 60 Hz (AMPERES)	28 Vdc (AMPERES)
RESISTIVE	7	7	4
INDUCTIVE	4	7	2.5

FO-5285 1-B  
 DRAWN  
 J A P 3 NOV 82  
 CHECK  
 C E B 4 NOV 82  
 CHECK  
 R R S 3 NOV 82  
 CHECK  
 W J M 9 DEC 82  
 CO 52593  
 CO 58771  
 CO 63228  
 CO 72702  
 NOV 82