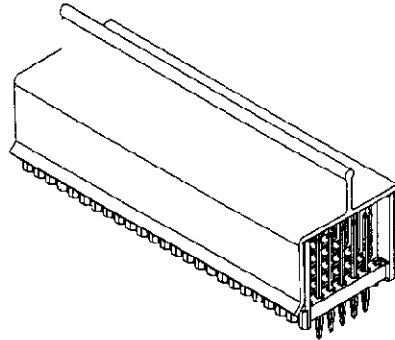
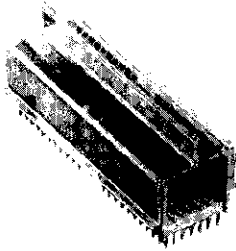




Z-PACK 2mm HM Connectors (Continued)

Male Pin Protection Covers



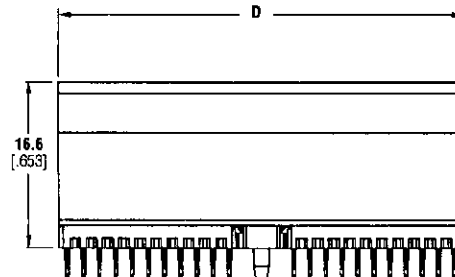
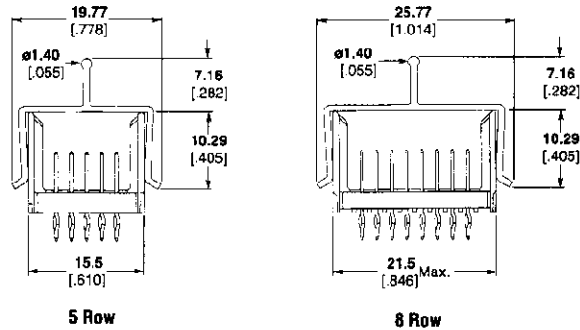
New male pin protection covers are now available for all vertical male and right angle male connectors. These covers prevent the exposed pin fields from being damaged (e.g. bent, broken), until the connector is mated. The covers easily slide over the outside housing of the connector and can easily be removed. No tooling is necessary.

Sizes are available for 5/5+2 and 8/8+2 row male connectors (Types A-F).

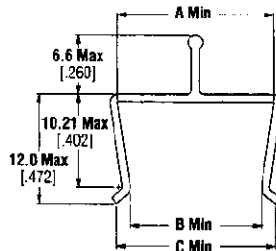
Material

Polycarbonate, color clear

Used with male connectors.



Cover shown on A & D module for reference only.



Type	A	B	C	D	Part Number
A,B	15.75 [.620]	13.28 [.523]	17.27 [.679]	49.23 [1.938]	646502-1
C	15.75 [.620]	13.28 [.523]	17.27 [.679]	23.97 [.943]	646502-3
D,E	21.74 [.855]	19.28 [.759]	23.27 [.916]	49.23 [1.938]	646502-2
F	21.74 [.855]	19.28 [.759]	23.27 [.916]	23.97 [.943]	646502-4