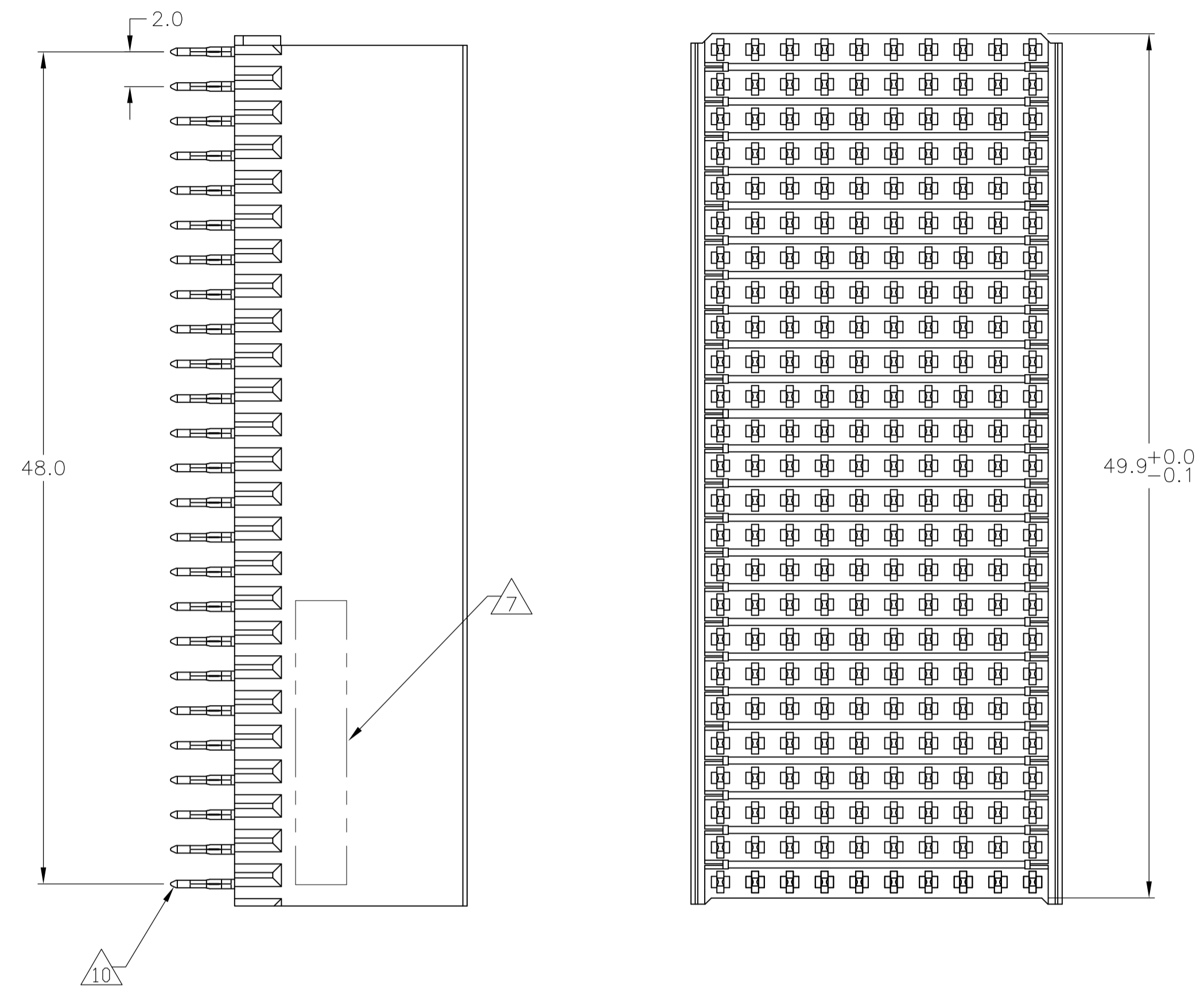


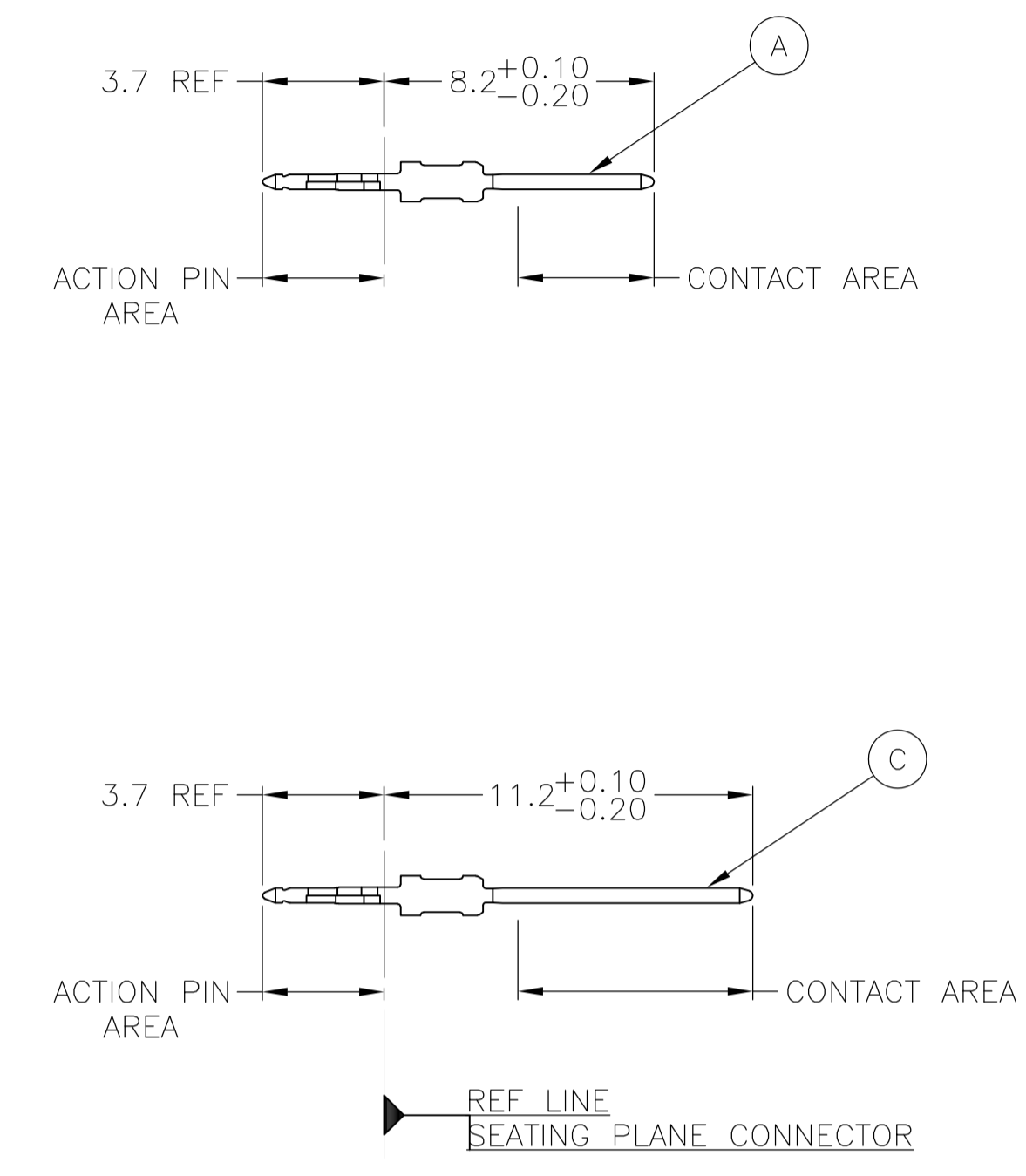
| LOC | | DIST | | REVISIONS | | | |
|-----|----|------|-----------------------|-----------|-----|------|--|
| AD | 00 | REV | DESCRIPTION | DATE | OWN | APVD | |
| | | H1 | REV PER ECO-10-001915 | 05MAR2010 | JY | SY | |
| | | J | ECR-10-018652 | 10SEP10 | JS | MQW | |

CONNECTOR ASSEMBLY EXAMPLARY LOADED



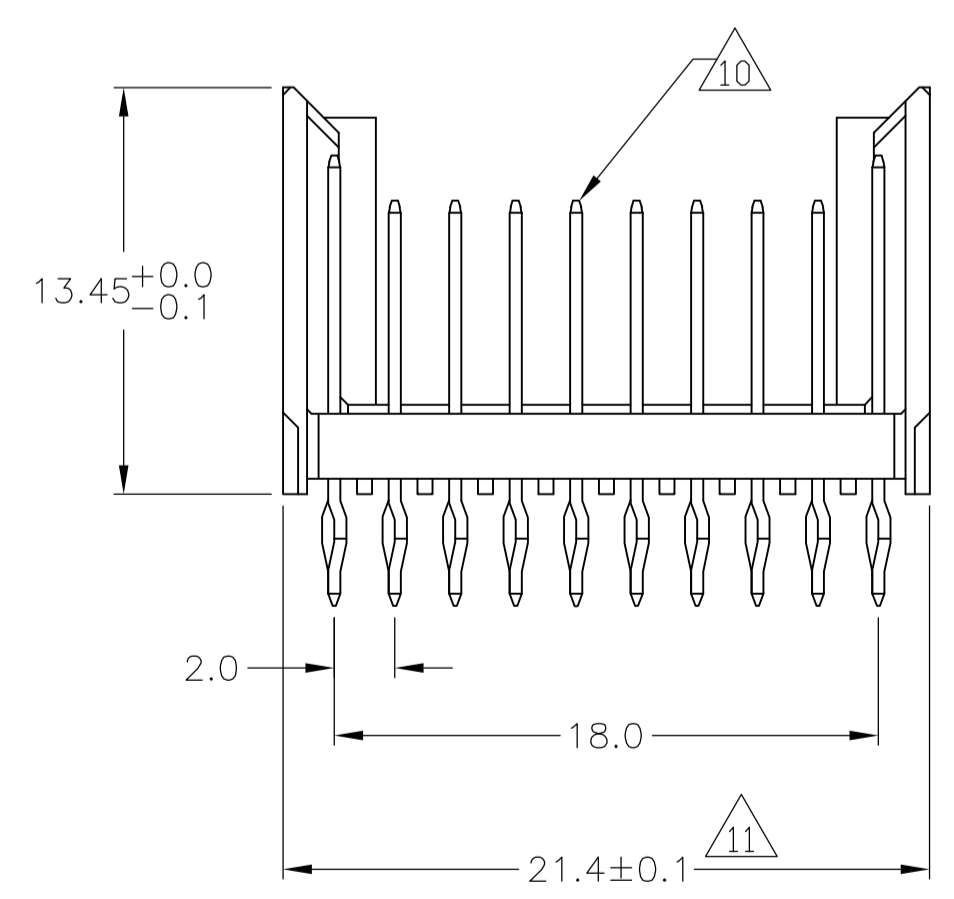
CONTACT DIMENSIONS

SCALE 5:1



CONTACT LAYOUT

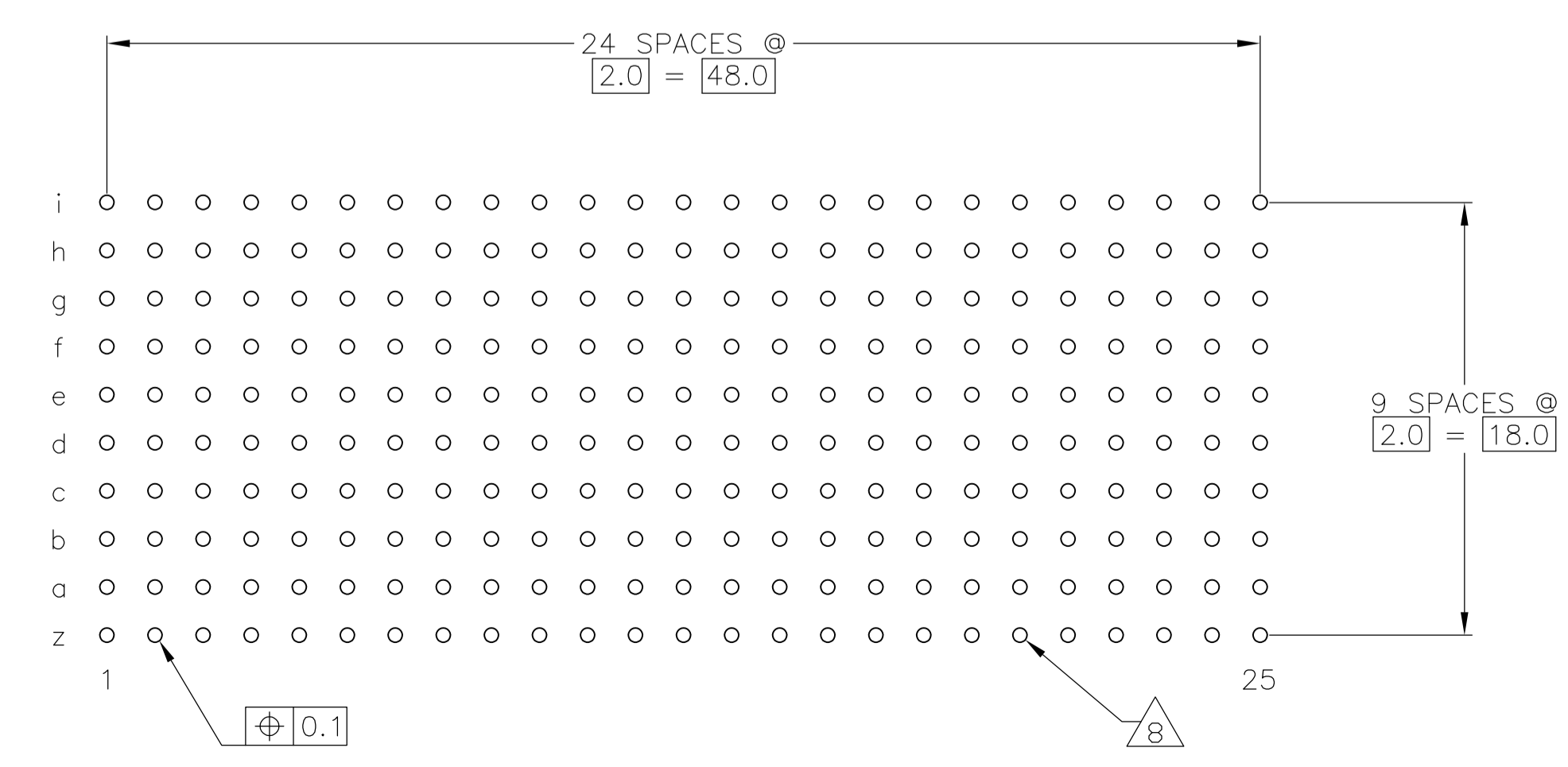
| | z | a | b | c | d | e | f | g | h | i |
|----|---|---|---|---|---|---|---|---|---|---|
| 1 | C | A | A | A | A | A | A | A | A | C |
| 2 | C | A | A | A | A | A | A | A | A | C |
| 3 | C | A | A | A | A | A | A | A | A | C |
| 4 | C | A | A | A | A | A | A | A | A | C |
| 5 | C | A | A | A | A | A | A | A | A | C |
| 6 | C | A | A | A | A | A | A | A | A | C |
| 7 | C | A | A | A | A | A | A | A | A | C |
| 8 | C | A | A | A | A | A | A | A | A | C |
| 9 | C | A | A | A | A | A | A | A | A | C |
| 10 | C | A | A | A | A | A | A | A | A | C |
| 11 | C | A | A | A | A | A | A | A | A | C |
| 12 | C | A | A | A | A | A | A | A | A | C |
| 13 | C | A | A | A | A | A | A | A | A | C |
| 14 | C | A | A | A | A | A | A | A | A | C |
| 15 | C | A | A | A | A | A | A | A | A | C |
| 16 | C | A | A | A | A | A | A | A | A | C |
| 17 | C | A | A | A | A | A | A | A | A | C |
| 18 | C | A | A | A | A | A | A | A | A | C |
| 19 | C | A | A | A | A | A | A | A | A | C |
| 20 | C | A | A | A | A | A | A | A | A | C |
| 21 | C | A | A | A | A | A | A | A | A | C |
| 22 | C | A | A | A | A | A | A | A | A | C |
| 23 | C | A | A | A | A | A | A | A | A | C |
| 24 | C | A | A | A | A | A | A | A | A | C |
| 25 | C | A | A | A | A | A | A | A | A | C |



RECOMMENDED PCB-HOLE LAYOUT COMPONENT SIDE SHOWN

PLATED THRU HOLES PARAMETERS

REFERENCE APPLICATION SPECIFICATION



| | | |
|----------|--------|-------------|
| OBSOLETE | 2 3 13 | 3-646357-0 |
| | 2 6 12 | 1-646357-9 |
| | 2 5 12 | 646357-9 |
| | 2 4 | 646357-4 |
| | 2 3 | 646357-1 |
| FINISH | | PART NUMBER |

THIS DRAWING IS A CONTROLLED DOCUMENT. DWG: J. POLIGNONE 28JAN05

CHK: G. SKIPPER
 APD: G. SKIPPER
 NAME: Tyco Electronics Corporation, Harrisburg, Pa 17105-3608

PRODUCT SPEC: 108-1622
 APPLICATION SPEC: 114-19029

MATERIAL: 1
 FINISH: SEE TABLE

SIZE: A1
 CAGE CODE: 00779
 DRAWING NO: 646357

CUSTOMER DRAWING
 SCALE: 4:1
 SHEET: 1 of 2
 REV: J

| LOC | | DIST | | REVISIONS | | | | |
|-----|-----|-------------|------|-----------|------|--|--|--|
| P | LTR | DESCRIPTION | DATE | DN | APVO | | | |
| AD | 00 | SEE SHEET 1 | - | - | - | | | |

- 1 MATERIAL:
CONTACT: PHOSPHOR BRONZE.
HOUSING: GLASS-FILLED POLYESTER.
- 2 GENERAL PLATING SPECIFICATION: UNDERPLATING
(ENTIRE CONTACT): 1.27µm MIN NICKEL AND ACTION
PIN: 0.5µm MIN TIN/LEAD.
FOR PLATING OF MATING SURFACES SEE APPLICABLE
SPECIFICATION REFERENCE FOR EACH DASH NUMBER.
- 3 CONFORMS TO ALL TESTING ACCORDING TO IEC 61076-4-101
PERFORMANCE LEVEL 2.
- 4 CONFORMS TO ALL TESTING ACCORDING TO IEC 61076-4-101
PERFORMANCE LEVEL 1.
- 5 CONNECTOR TESTED AND QUALIFIED AGAINST TELCORDIA GR-1217-CORE QUALITY LEVEL 3,
CENTRAL OFFICE APPLICATIONS.
- 6 CONNECTOR TESTED AND QUALIFIED AGAINST TELCORDIA GR-1217-CORE QUALITY LEVEL 3,
UNCONTROLLED ENVIROMENT APPLICATIONS.
- 7 CONNECTOR MARKED WITH PART NUMBER AND DATE CODE.
ADDITIONAL CHARACTERS OR MARKINGS, AS WELL AS THE LOCATION OF THE MARKINGS,
MAY BE ADDED FOR TRACEABILITY BASED UPON MANUFACTURERS DISCRETION.
- 8 PLATED-THROUGH HOLES AT 2x2mm SQUARE GRID
PATTERN DEFINED BY CONTACT LAYOUT.
- 9 FOR ACTUAL PIN LOADING SEE "CONTACT LAYOUT".
- 10 FOR ACTUAL PIN DIMENSIONS SEE "CONTACT DIMENSIONS".
- 11 TO BE MEASURED AT BOTTOM OF SHROUD.
- 12 CONNECTOR LUBRICATED WITH BELCORE APPROVED LUBRICANT,
TECHNICAL REFERENCE: TR-NWT-001217 ISSUE 1, SEP 1992.
- 13 076µm MIN GOLD PLATING AT MATING SURFACES.

| | | | | | |
|--|--|--|--|---|--|
| THIS DRAWING IS A CONTROLLED DOCUMENT. | | DIN J. POLIGNONE ZBJAN05 | | Tyco Electronics Corporation Harrisburg, Pa 17105-3608 | |
| DIMENSIONS: mm | | TOLERANCES UNLESS OTHERWISE SPECIFIED: 0-PLC ± 1-PLC ±0.1 2-PLC ± 3-PLC ± 4-PLC ± ANGLES ±1° | | Tyco Electronics G.SKIPPER G.SKIPPER NAME MALE ASSEMBLY, Z-PACK 2mm HM, TYPE E | |
| MATERIAL SEE SHEET 1 | | FINISH SEE SHEET 1 | | APPLICATION SPEC 108-1622 114-19029 | |
| CUSTOMER DRAWING | | WEIGHT - | | SIZE A1 | |
| | | SCALE 4:1 | | SHEET 2 OF 2 | |
| | | DRAWING NO 00779 | | RESTRICTED TO - | |
| | | C=646357 | | REV J | |