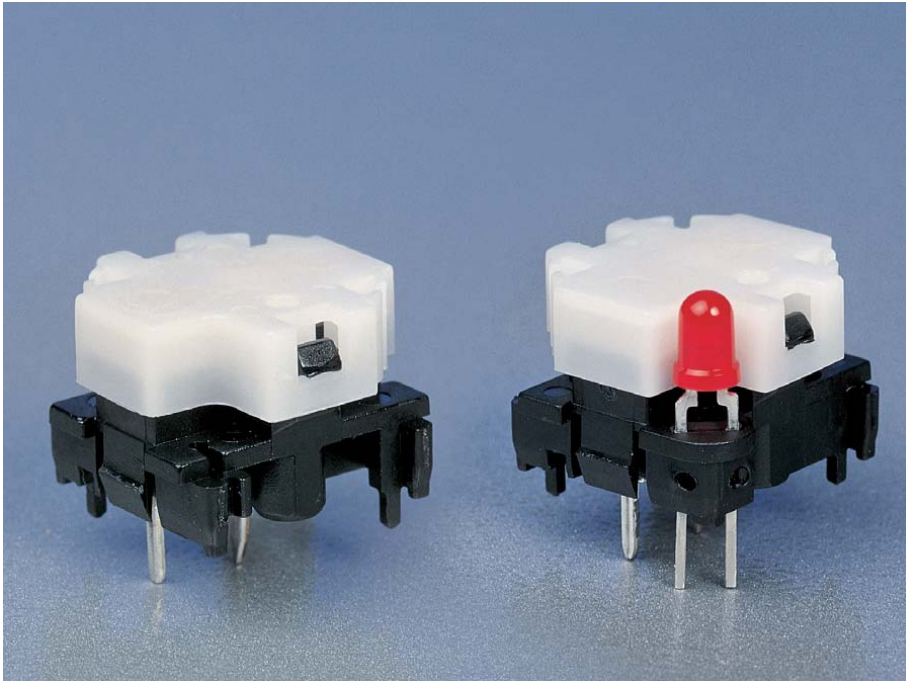


# SERIES 6425 - KEYMODULES



## PRODUCT ADVANTAGES

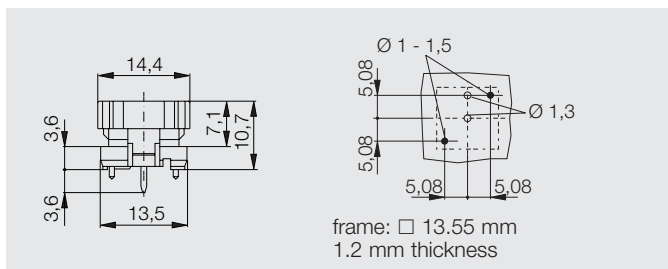
- ◆ Single pole NO with and without LED
- ◆ High life endurance
- ◆ Gold contacts guarantee secure switching function
- ◆ Short bounce time
- ◆ Comfortable actuation characteristic and low operating noise
- ◆ Low profile
- ◆ The keymodules are suitable for automatic soldering

## TECHNICAL DATA

- ◆ Voltage 28 V max.
- ◆ Current 100 mA max.
- ◆ Life endurance > 10<sup>6</sup> cycles at 10 mA 12 V
- ◆ Contact resistance < 250 mΩ
- ◆ Insulation resistance (new state) > 100 MΩ
- ◆ Bounce time typical < 5 ms
- ◆ Ambient temperature -20 ... +70 °C
- ◆ Storage temperature -55 ... +75 °C
- ◆ Actuating force approx. 0,7 N
- ◆ Total travel max. 1.6 mm
- ◆ Housing made of thermoplastic material
- ◆ Contact material gold
- ◆ Terminals tinned



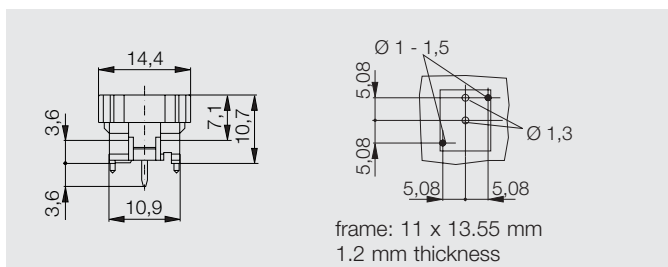
6425.0101\*



for all single keycaps with spacing 16 mm or 19 mm



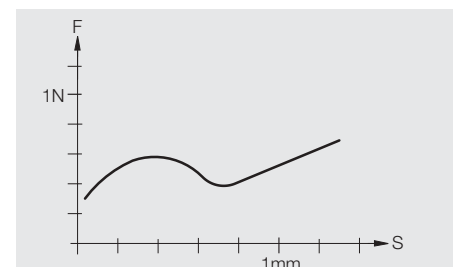
6425.1101\*



for guide mechanism, keymodules with narrow socket

## SPECIAL NOTES

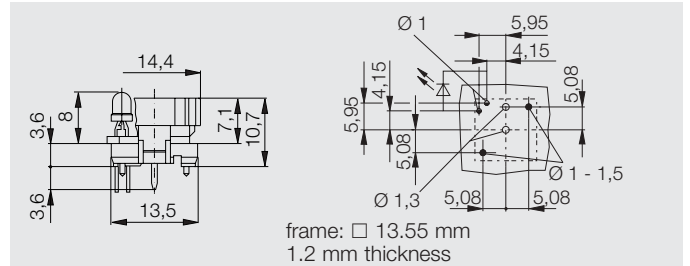
- ◆ For use of keymodules with integrated LED a current limitation to max. 20 mA is necessary.



Actuating force / travel diagram

### VERSION WITH LED

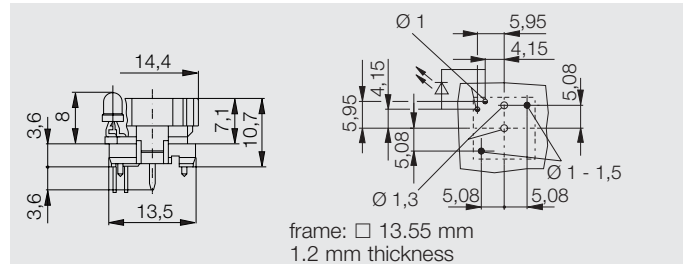
for square keycaps 829 000 . . .  
(page 4.4) with spacing 16 mm.



- 6425.4111 LED red\*
- 6425.4121 LED yellow
- 6425.4131 LED green

### VERSION WITH LED

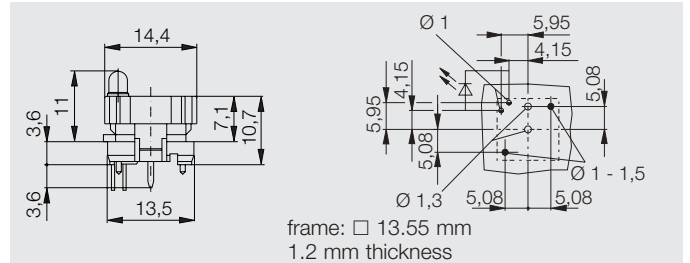
for square keycaps 828 000 . . .  
(page 4.4) with spacing 19 mm.



- 6425.3111 LED red\*
- 6425.3121 LED yellow
- 6425.3131 LED green

### VERSION WITH LED

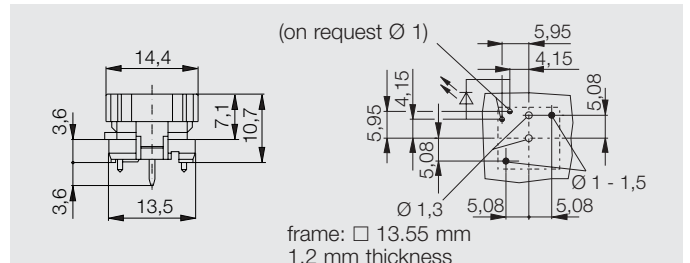
for keycaps with small surface area  
827 . . . . . (page 4.6) with spacing  
16 mm resp. > 15 mm .



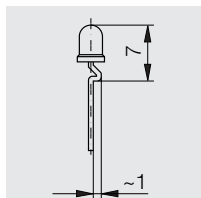
- 6425.6111 LED red\*
- 6425.6121 LED yellow
- 6425.6131 LED green

### KEYMODULE

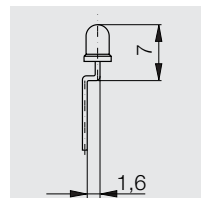
prepared for on-site assembly of a LED.



6425.2101



spacing 16 mm



spacing 19 mm

\* Version on stock

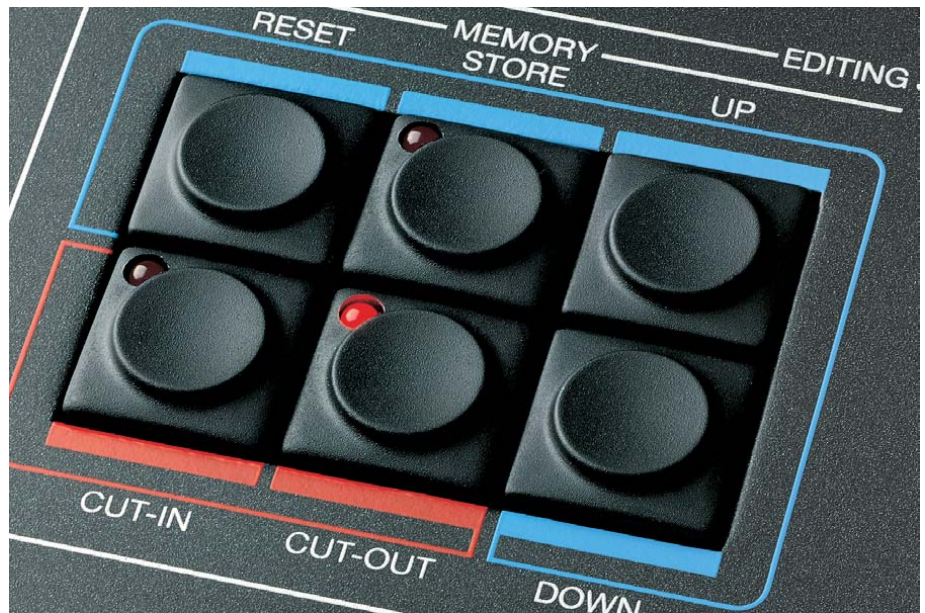
# KEYCAPS WITH AND WITHOUT LED WINDOW

## FOR KEYMODULES OF SERIES 6425

### SQUARE KEYCAPS

with ergonomic surface area. For spacing 16 mm and 19 mm.

different colours and characters on request



### WITHOUT LED WINDOW

spacing 16 mm  
spacing 19 mm



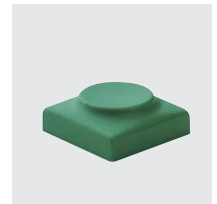
826 000 011\*  
825 000 011\*



826 000 021\*  
825 000 021\*



826 000 071\*  
825 000 071\*



826 000 091\*  
825 000 091\*

### WITH LED WINDOW

spacing 16 mm  
spacing 19 mm



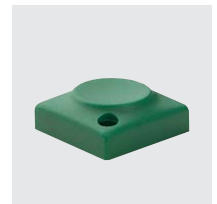
829 000 011\*  
828 000 011\*



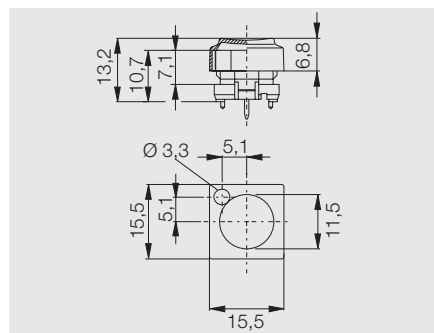
829 000 021\*  
828 000 021\*



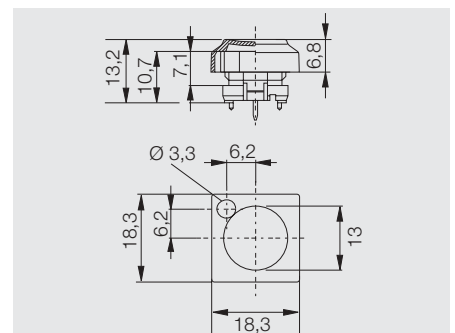
829 000 071\*  
828 000 071\*



829 000 091\*  
828 000 091\*



spacing 16 mm



spacing 19 mm

## SQUARE KEYCAPS

with white characters.

Please complete the reference numbers by the three figures below the respective character.

basic reference numbers for spacing 16 mm:  
anthracite: 826 . . . 011  
dark grey: 826 . . . 021

basic reference numbers for spacing 19 mm:  
anthracite: 825 . . . 011  
dark grey: 825 . . . 021

Other keycap colours and characters on request.



# KEYCAPS WITH AND WITHOUT LED WINDOWS

## FOR KEYMODULES OF SERIES 6425

### ROUND KEYCAPS

with ergonomic surface area,  
Ø 17 mm.

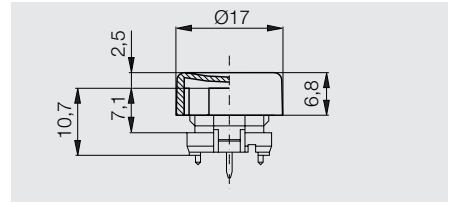
keycaps with characters and  
other colours on request.



840 000 011\*



840 000 021



### KEYCAPS

with oval surface area,  
spacing 16 mm.

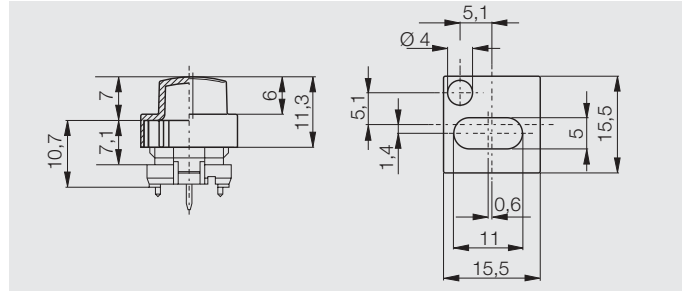


anthracite  
dark grey  
grey

827 020 011

827 020 021

827 020 031



### KEYCAPS

with round surface area,  
spacing > 15 mm.

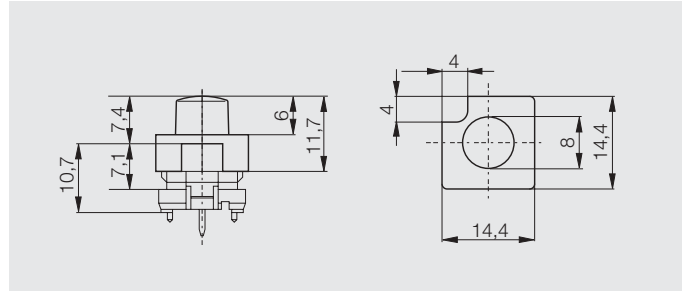


anthracite  
dark grey  
grey

827 100 011

827 100 021

827 100 031



# GUIDE MECHANISM FOR MULTIPLE KEYCAPS

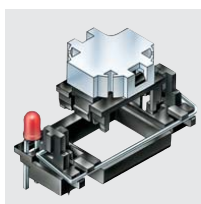
## OF KEYMODULES SERIES 6425

### GUIDE MECHANISM

The Marquardt guide mechanism for multiple keycaps guarantees optimum functioning even when actuated off-centre.

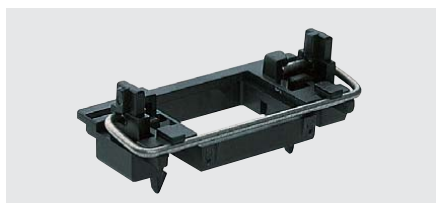
The guide mechanism can optionally be assembled with one or two LEDs.

6425.1101

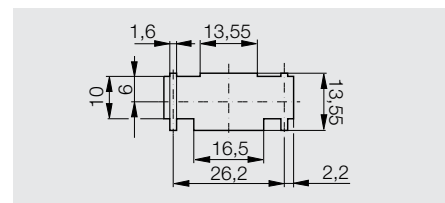


### GUIDE MECHANISM FOR

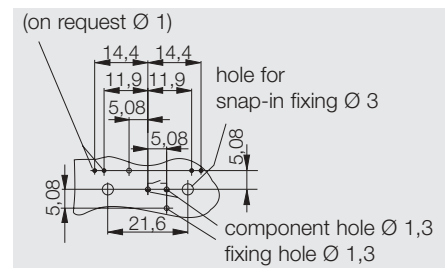
two-fold keycaps, spacing 16 mm.



190 059 013



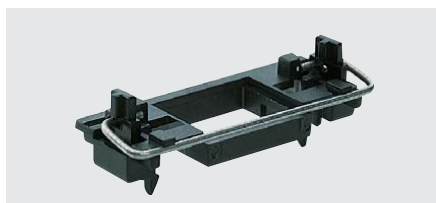
recommended cut-out



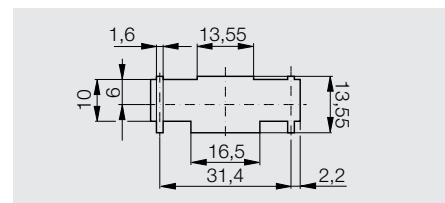
PC-board layout, component side

### GUIDE MECHANISM FOR

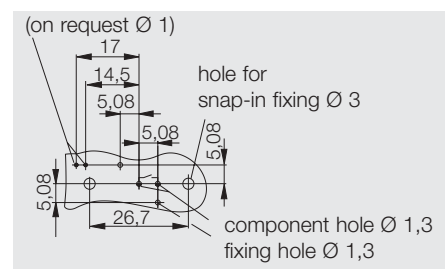
three-fold keycaps, spacing 16 mm  
two-fold keycaps, spacing 19 mm  
three-fold keycaps, spacing 19 mm



190 059 023



recommended cut-out



PC-board layout, component side

\* Version on stock

# MULTIPLE KEYCAPS WITH AND WITHOUT LED WINDOW FOR KEYMODULES OF SERIES 6425

## TWO-FOLD KEYCAPS

spacing 16 mm, optionally with or without LED window

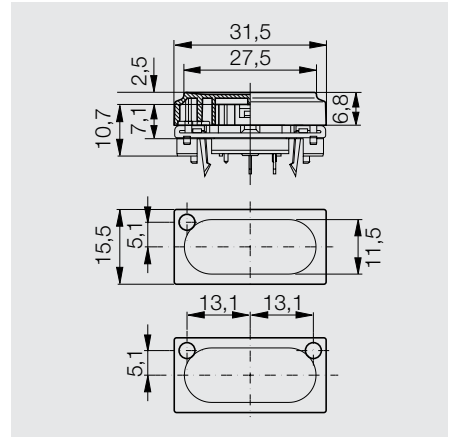
keycaps with characters on request



without LED window: 842 000 011 anthracite  
842 000 021 dark grey  
842 000 031 grey

with 1 LED window: 842 500 011 anthracite

with 2 LED windows: 842 800 011 anthracite



## TWO-FOLD KEYCAPS

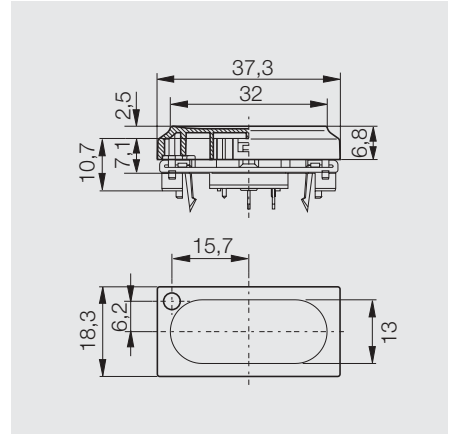
spacing 19 mm, optionally with or without LED window.

keycaps with characters on request.



without LED window: 844 000 011 anthracite  
844 000 021 dark grey  
844 000 031 grey

with 1 LED window: 844 500 011 anthracite



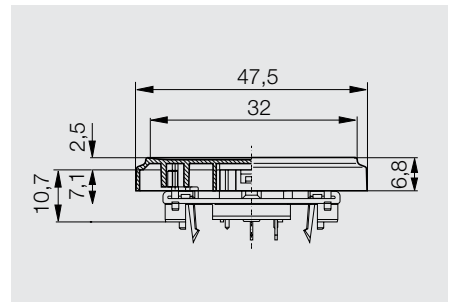
## THREE-FOLD KEYCAPS

spacing 16 mm.

keycaps with characters on request



843 000 011 anthracite



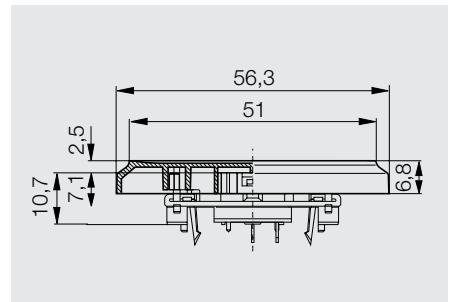
## THREE-FOLD KEYCAPS

spacing 19 mm.

keycaps with characters on request



845 000 011 anthracite



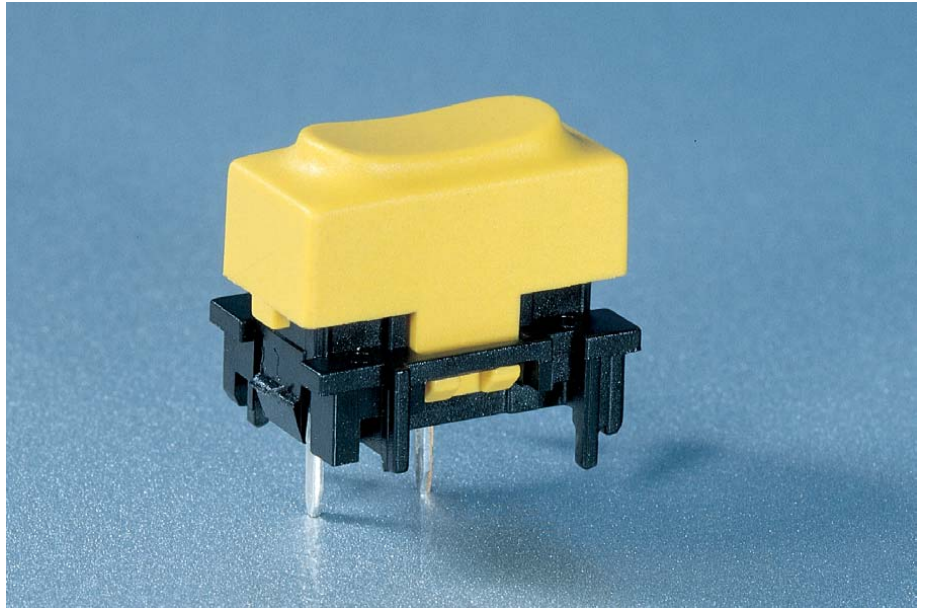
# SERIES 6450 - KEYMODULES WITHOUT LED

## PRODUCT ADVANTAGES

- ◆ Single pole normally open
- ◆ High life endurance
- ◆ Gold contacts guarantee secure switching function
- ◆ Short bounce time
- ◆ Comfortable actuation characteristic and low operating noise
- ◆ Low profile
- ◆ The keymodules are suitable for automatic soldering

## TECHNICAL DATA

- ◆ Voltage max. 28 V
- ◆ Current max. 100 mA
- ◆ Life endurance >10<sup>6</sup> cycles at 10 mA 12 V
- ◆ Contact resistance < 250 mΩ
- ◆ Insulation resistance (new state) > 100 MΩ
- ◆ Bounce time typical < 5 ms
- ◆ Ambient temperature -20 ... +70 °C
- ◆ Storage temperature -55 ... +75 °C
- ◆ Actuating force approx. 0,7 N
- ◆ Total travel max. 1.6 mm
- ◆ Housing made of thermoplastic material
- ◆ Contact material gold
- ◆ Terminals tinned



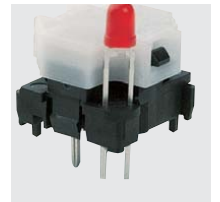
6450.0005\*



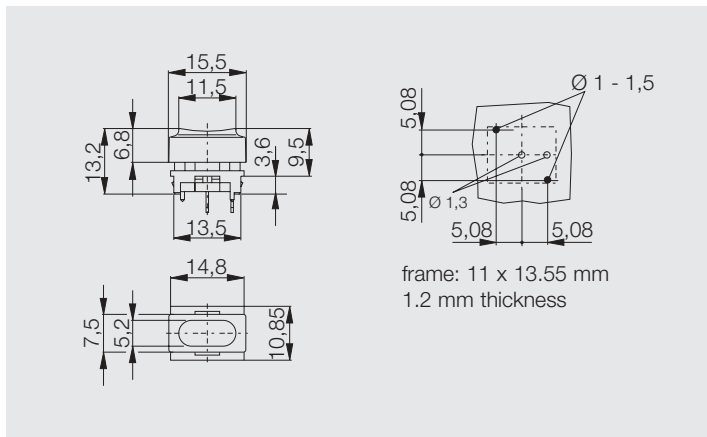
6450.0003\*



6450.0008



6450.0009



## ON REQUEST

- ◆ Different colours
- ◆ Other signs and symbols

