

# C.A 6418

Earth clamp with oblong head



## TEST EARTH LOOPS ON RECTANGULAR BARS

- Loop resistance measurement from 0.01 to 1,200  $\Omega$
- Current measurement from 0.5 mA to 20 A
- Alarms available in  $\Omega$  and A
- Time/date-stamped storage of 300 measurements
- Automatic hold of the display when the clamp is opened
- Automatic calibration of the jaw gap
- Recalibration possible without returning to factory



1.800.561.8187

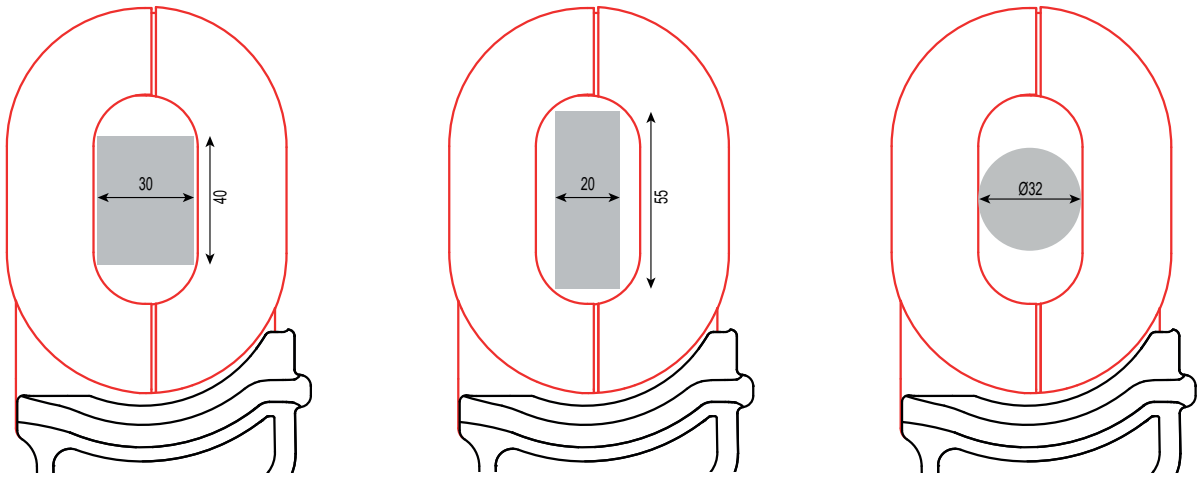
CĂȚĂV CĂȚĂIII 40

www.itm.com

information@itm.com



## C.A 6418 clamp for clamping any type of earth bar



### C.A 6418 technical specifications

LOOP OHMMETER								
Measurement ranges	0.010 to 0.099 Ω	0.10 to 0.99 Ω	1 to 49.9 Ω	50 to 149 Ω	150 to 245 Ω	250 to 440 Ω	450 to 640 Ω	650 to 1,200 Ω
Resolution	1 mΩ	10 mΩ	100 mΩ	1 Ω	5 Ω	10 Ω	10 Ω	50 Ω
Accuracy	± (1.5 %R* + 0.01 Ω)	± (1.5 %R + 2 r)	± (1.5 %R + 2 r)	± (2.5 %R + 2 r)	± (5 %R + 2 r)	± (10 %R + 2 r)	± (15 %R + 2 r)	± (20 %R + 2 r)
No-load voltage	≤ 4.5 mV to 2,083 Hz							
AMMETER								
Measurement ranges	0.5 to 9.995 mA	10.00 to 99.90 mA	100.0 to 299.0 mA	0.300 to 2.990 A	3.00 to 20.00 A			
Resolution	50 μA	100 μA	1 mA	10 mA	100 mA			
Accuracy	± (2 %R + 200 μA)	± (2 %R + r)	± (2 %R + r)	± (2 %R + r)	± (2 %R + r)			
SETUP								
Alarms	Configurable for Z and I							
Buzzer	Active							
HOLD	Manual or automatic PRE-Hold							
Automatic power-off	Active / Inactive							

### C.A 6418 general specifications

LOOP OHMMETER	
Display	OLED 152 segments – Active area 48 x 39 mm
Storage	300 time/date-stamped measurements
Power supply	4 x 1.5 V LR6 AA alkaline batteries or 4 NiMH batteries
Battery life	2,400 x 30 s measurements
Calibration	Automatic at start-up
IEC 61010	100 V CAT IV , 150 V CAT III
Ingress protection	IP 40
Dimensions	300 x 106 x 56 mm
Weight	1.2 kg approx. including batteries

\*R = Reading, r = resolution

### State at delivery

A C.A 6418 delivered with:

- 1 carrying case
- 4 x 1.5 V batteries
- 1 wrist strap
- 1 CD-Rom containing the user's manuals
- 1 quick startup guide
- 1 multi-language safety datasheet
- 1 verification certificate



### References for ordering

C.A 6418 .....	P01122018
CLI calibration loop .....	P01122301



En option