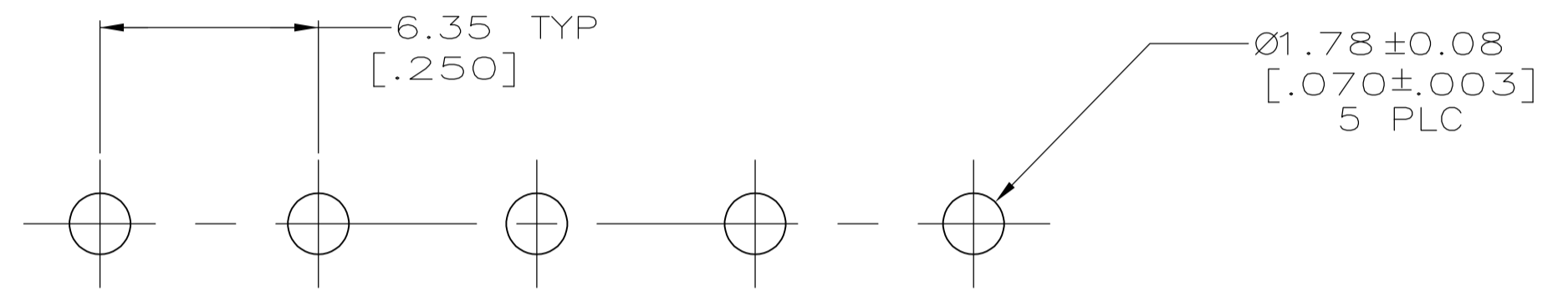
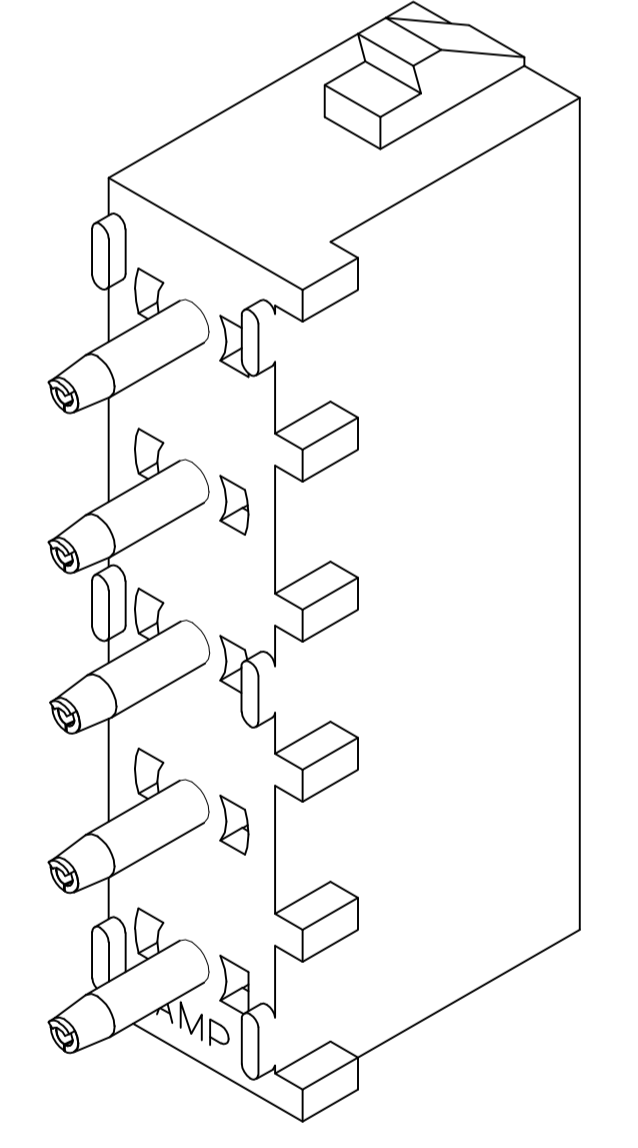
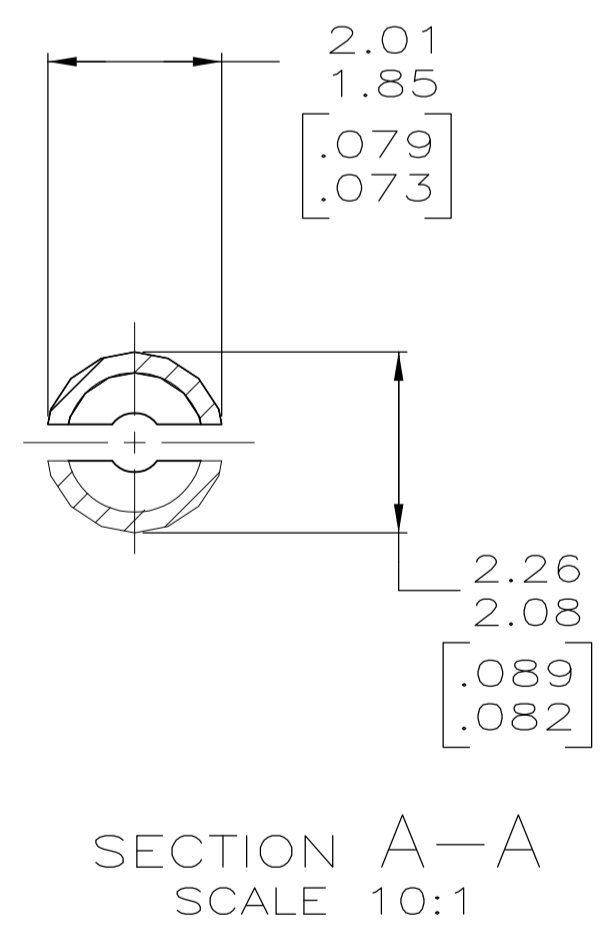
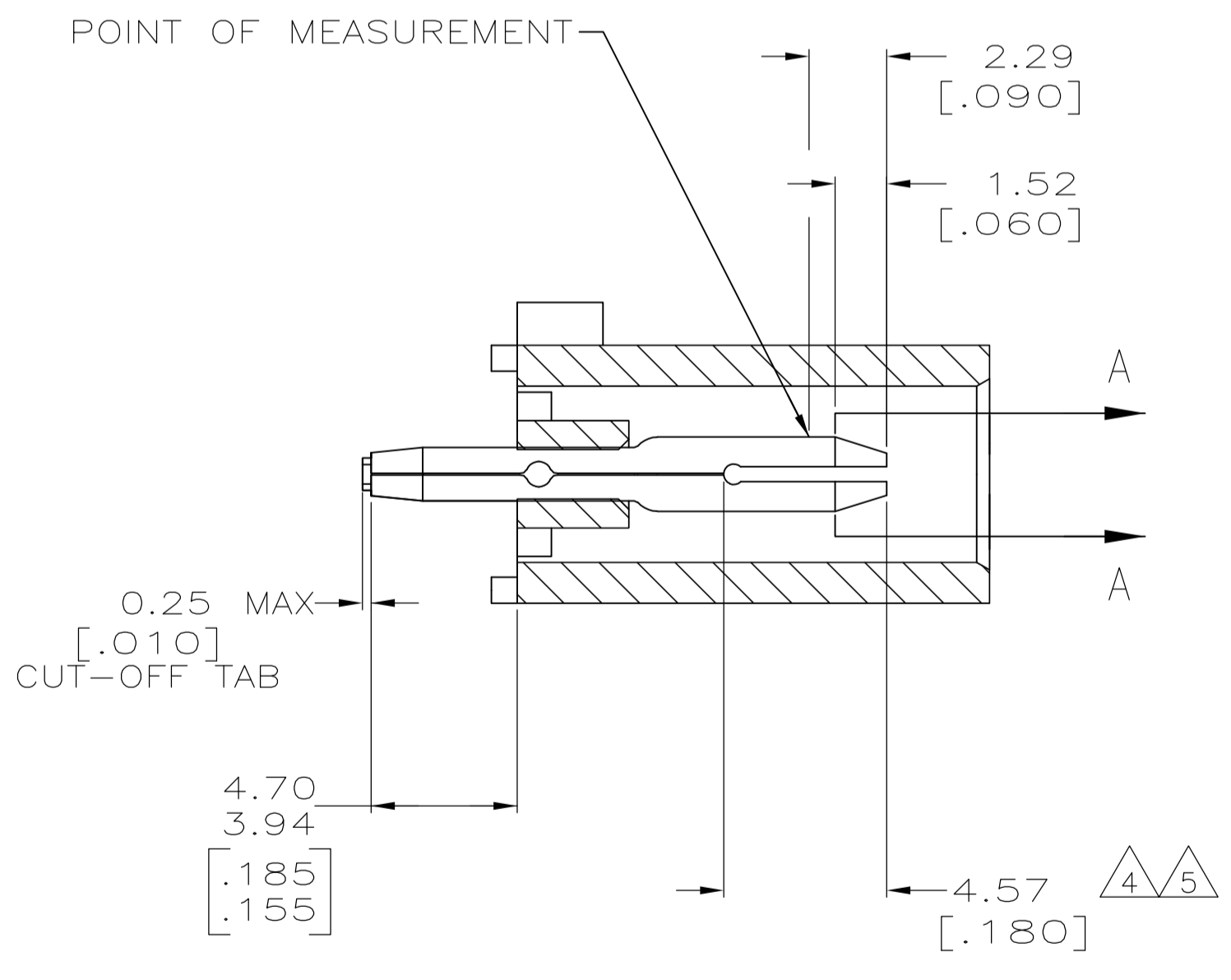


- PARTS COMPLY WITH AMP SOLDERABILITY SPECIFICATION 109-11-3.
- DIMENSIONS IN BRACKETS ARE IN INCHES.
- CIRCUIT IDENTIFICATION CHARACTERS ARE ADJACENT TO THE INDICATED CAVITIES, BUT LOCATION AND ORIENTATION MAY DIFFER FROM PRINT.
- CONTACT IS PLATED OVERALL WITH 0.00127 [.000050] NICKEL, THEN 0.000076 [.000030] GOLD OVER CONTACT LENGTH INDICATED AND MATTE TIN ON SOLDER TAIL END.
- CONTACT IS PLATED OVERALL WITH 0.00127 [.000050] NICKEL, THEN 0.000076 [.000030] GOLD OVER CONTACT LENGTH INDICATED AND MATTE TIN ON SOLDER TAIL END.
- PRELIMINARY - NOT FOR PRODUCTION



RECOMMENDED MOUNTING HOLE PATTERN FOR 1.57 [.062] THICK P.C. BOARD



3-DIMENSIONAL MODEL NTS

| | | |
|---------------------------------|-------------------------|-------------|
| PHOSPHOR BRONZE, PRE-TIN | NYLON, UL94V-0, BLUE | 61-640900-4 |
| PHOSPHOR BRONZE, PRE-TIN | NYLON, UL94V-0, RED | 61-640900-2 |
| PHOSPHOR BRONZE, GOLD 5 | NYLON, UL94V-0, NATURAL | 640900-3 |
| PHOSPHOR BRONZE, GOLD 4 | NYLON, UL94V-0, NATURAL | 640900-2 |
| PHOSPHOR BRONZE, PRE-TIN | NYLON, UL94V-0, NATURAL | 640900-1 |
| PIN CONTACT MATERIAL AND FINISH | HOUSING MATERIAL | PART NUMBER |

| | | | | | |
|--|--|---------------------------|--|---|--|
| THIS DRAWING IS A CONTROLLED DOCUMENT. | | DIN K. WHITAKER 18JAN2005 | | TE Connectivity | |
| DIMENSIONS: mm [INCHES] | | CHK S. RIDGILL 18JAN2005 | | | |
| TOLERANCES UNLESS OTHERWISE SPECIFIED: | | APVD S. RIDGILL 18JAN2005 | | NAME | |
| 0 PLC ± - | | PRODUCT SPEC | | PIN HEADER ASSEMBLY, 5 CIRCUIT, UNIVERSAL MATE-N-LOK™ | |
| 1 PLC ± - | | APPLICATION SPEC | | SIZE | |
| 2 PLC ± 0.20 [.008] | | WEIGHT | | CAGE CODE DRAWING NO | |
| 3 PLC ± - | | A1 00779 | | 640900 | |
| 4 PLC ± - | | CUSTOMER DRAWING | | SCALE 5:1 SHEET 1 OF 1 REV N2 | |
| ANGLES ± - | | | | | |
| FINISH SEE TABLE | | | | | |