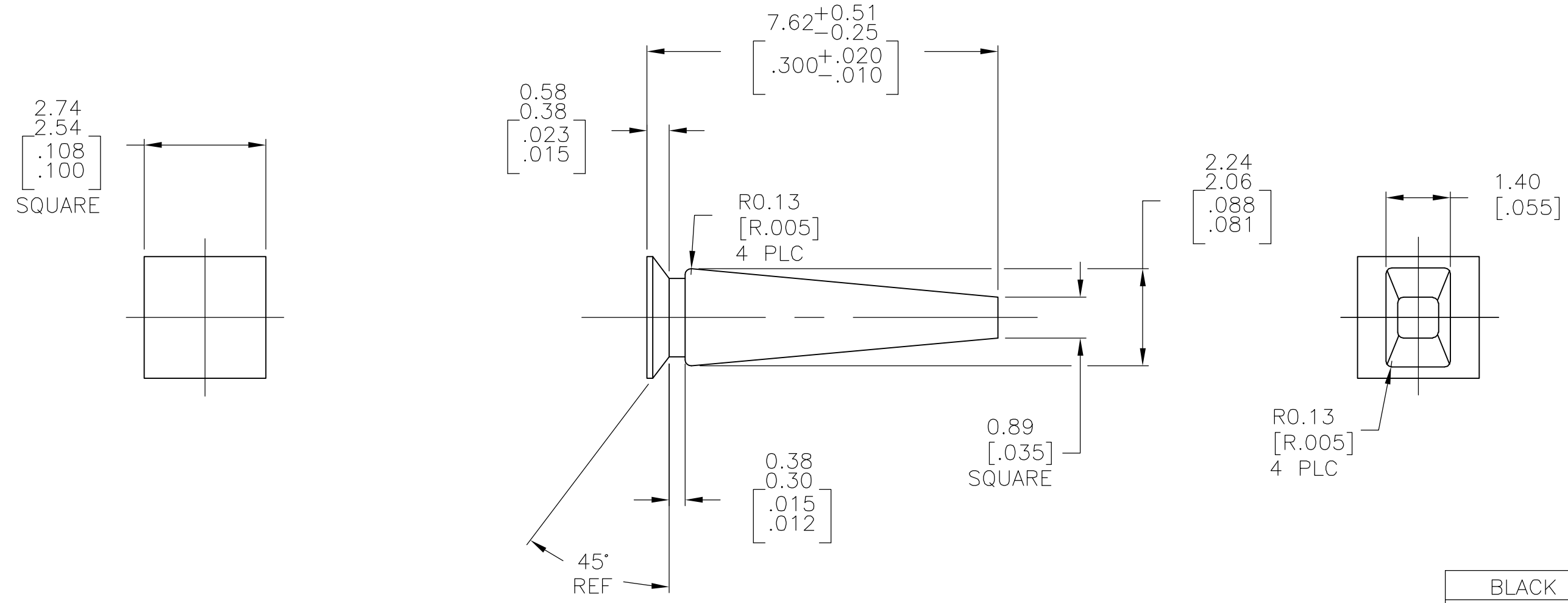


THIS DRAWING IS UNPUBLISHED. RELEASED FOR PUBLICATION
 © COPYRIGHT - BY TYCO ELECTRONICS CORPORATION. ALL RIGHTS RESERVED.

LOC	DIST	REVISIONS					
		P	LTR	DESCRIPTION	DATE	DWN	APVD
CM	54		F1	ECO-06-017889	07AUG06	BSV	DB

1 MOLDING COMPOUND NYLON,6/6 .
 2. DIMENSIONS IN BRACKETS ARE IN INCHES.



BLACK	640254-2
NATURAL	640254-1
COLOR	PART NO.

METRIC

THIS DRAWING IS A CONTROLLED DOCUMENT.		DWN	10DEC91	tyco Electronics	Tyco Electronics Corporation Harrisburg, Pa 17105-3608			
DIMENSIONS: mm [INCHES]		CHK	10DEC91		NAME			
TOLERANCES UNLESS OTHERWISE SPECIFIED:		APVD	11DEC91		SL-156 KEYING PLUG, .045 SQ. POST CONNECTOR			
0 PLC ± -		PRODUCT SPEC		SIZE		CAGE CODE	DRAWING NO	RESTRICTED TO
1 PLC ± -		APPLICATION SPEC		A3		00779	C-640254	-
2 PLC ± -		WEIGHT		CUSTOMER DRAWING		SCALE	SHEET	OF
3 PLC ± 0.13 [.005]		-				10:1	1	1
4 PLC ± -								REV
ANGLES ± -								F1
FINISH -								
MATERIAL								
1								