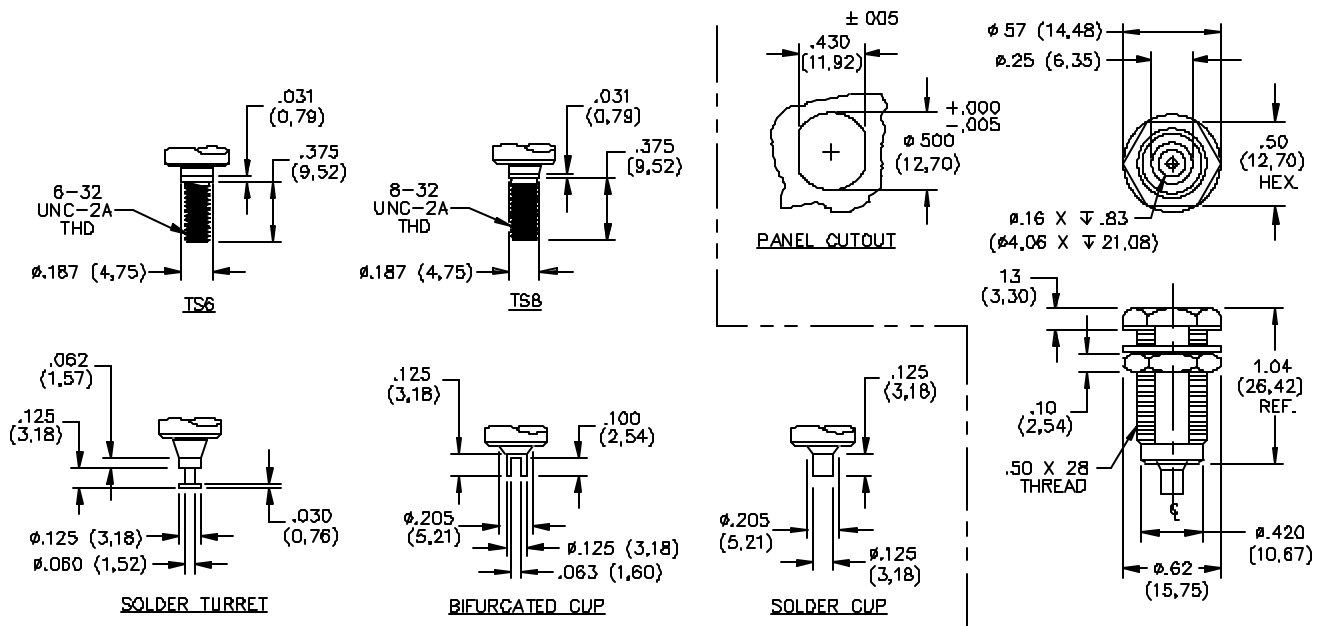


## Model 6387 Banana Jack, Panel Mount, 4mm For Sheathed Banana Plugs



Recommended Maximum Panel Thickness: .57" (15mm)

### FEATURES:

- Banana Jack mates to all popular shrouded and unshrouded DMM plugs
- Meets IEC 1010-2-031 CAT III 1000V

### MATERIALS:

Banana Jack: Brass, see ordering information for plating

Insulation: Nylon, see ordering information for color

Nut: Brass, Nickel Plated

### RATINGS:

Operating Voltage: 1000 VRMS Max.

Current: 15 Amperes Max.

**ORDERING INFORMATION:** Model 6387-T-P-C. Sold in packs of ten.

T = Terminal Type = SC=(Solder Cup), ST=(Solder Turret), BC=(Bifurcated Cup),  
TS6= (Threaded Stud #6-32), TS8=(Threaded Stud #8-32)

P = Plating Options =T=(Tin), G=(Gold), N=(Nickel)

C = Color Options = 0=Black, 1=Brown, 2=Red, 3=Orange, 4=Yellow, 5=Green, 6=Blue, 7=Violet, 8=Gray,  
9=White. Sold in packages of ten.

All dimensions are in inches. Tolerances (except noted): .xx = ±.02" (.51 mm), .xxx = ± .005" (.127 mm).

All specifications are to the latest revisions. Specifications are subject to change without notice.

Registered trademarks are the property of their respective companies. Made in USA

Sales: 909-469-2900 Fax: 909-629-3317  
Technical Assistance: 800-241-2060

PomonaACCESS 90837 (800) 444-6785 or (949) 253-3858  
More drawings available at [www.pomonaelectronics.com](http://www.pomonaelectronics.com)