

THIS DRAWING IS UNPUBLISHED.

RELEASED FOR PUBLICATION

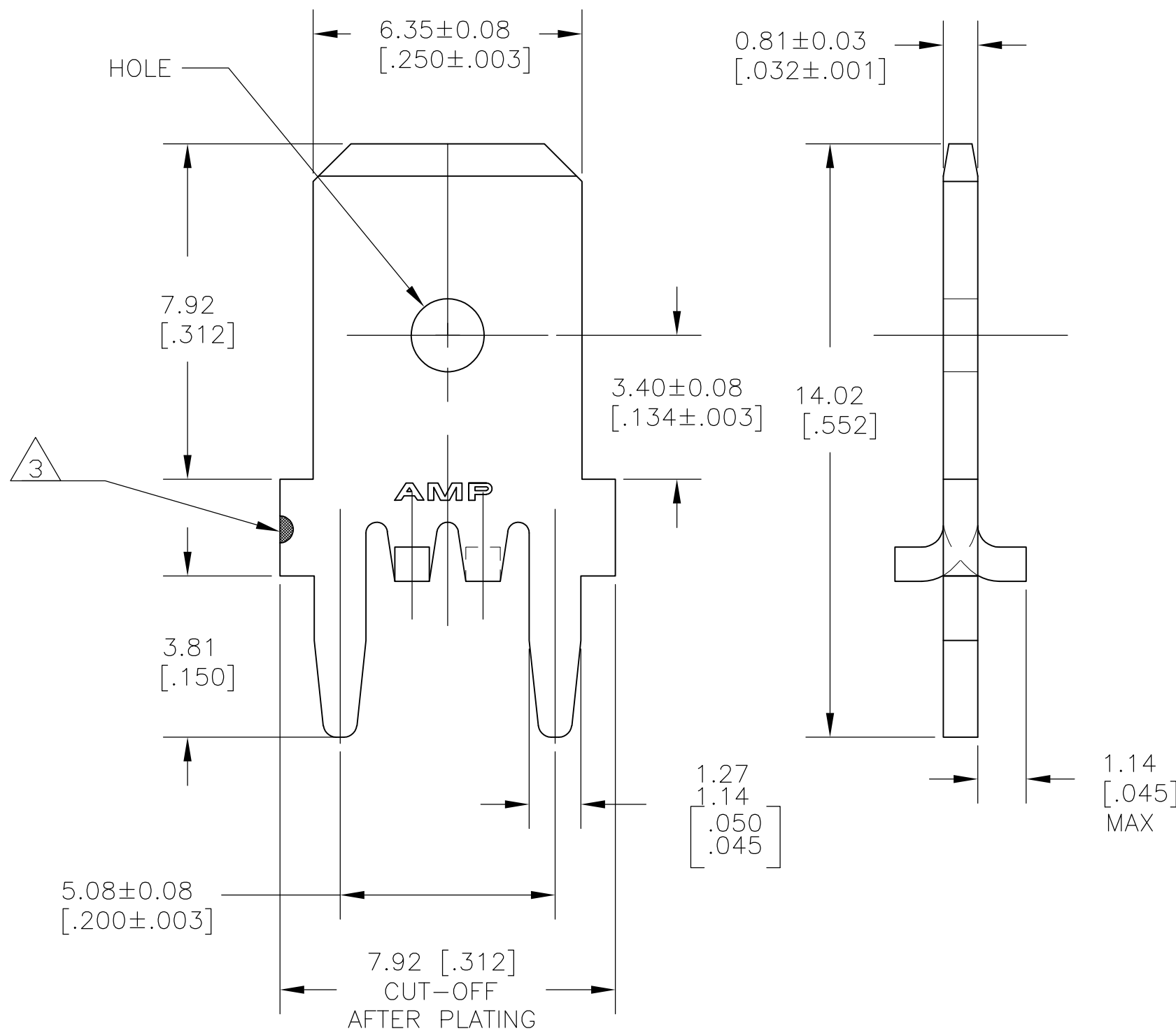
ALL RIGHTS RESERVED.

© COPYRIGHT - By -

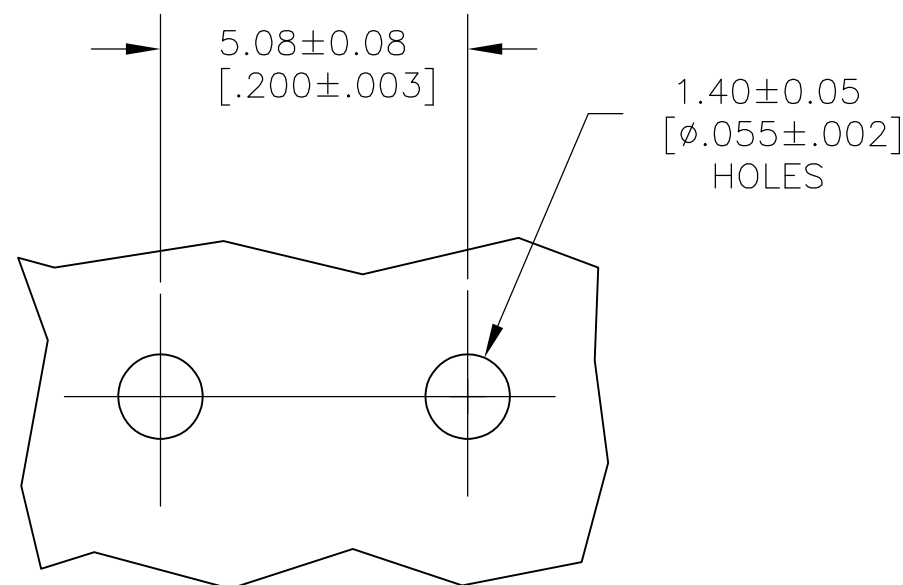
LOC AF DIST 50

REVISIONS

P	LTR	DESCRIPTION	DATE	DWN	APVD
E2		REVISED PER ECO-11-004820	11MAR11	RK	HMR



- 1 SUPPLIED IN LOOSE PIECE
- 2 TIN PLATE 0.00381 [.000150] MIN OVER 0.00254 [.000100] MIN THK COPPER OR TIN PLATE 0.00381 [.000150] MIN OVER 0.00127 [.000050] MIN NICKEL PL.
- 3 OPTIONAL ID MARK, LOCATED APPROX AS SHOWN.



P.C. BOARD HOLE PATTERN

63824-1	63849-1
STRIP PART NO.	PART NO.

THIS DRAWING IS A CONTROLLED DOCUMENT.		DWN JR RUTH 20FEB01	STE TE Connectivity		
DIMENSIONS: mm [INCHES]		CHK MS FEHER 20FEB01			
TOLERANCES UNLESS OTHERWISE SPECIFIED:		APVD N DEIBERT 20FEB01	NAME TAB, FASTON, P.C.BOARD		
0 PLC ± -		PRODUCT SPEC -	6.35 [.250]		
1 PLC ± -		APPLICATION SPEC 114-2115	SIZE A3	CAGE CODE 00779	DRAWING NO C-63849
2 PLC ± 0.25 [.010]		WEIGHT -	RESTRICTED TO -		
3 PLC ± -		CUSTOMER DRAWING	SCALE 8:1	SHEET 1 OF 1	REV E2
4 PLC ± -					
ANGLES ± -					
FINISH -2					
MATERIAL 082 BRASS					