

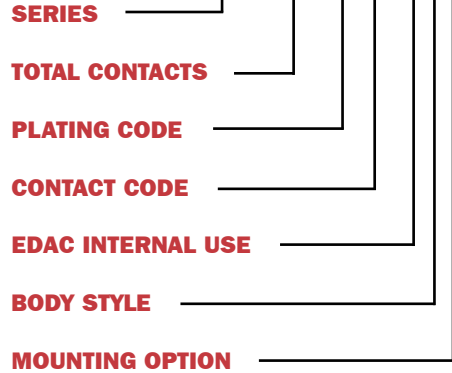
# 637/638 SERIES



## 637/638 SERIES ORDERING CODE

**Example:**

637-015-230-047



### FEATURES

- High profile available in machine contacts. (15- and 26-pin contacts only)
- .090" (2.29mm) contact spacing x .078" (1.98mm) row spacing.
- Plug and receptacle in 15-, 26-, 44-, 62- and 78-pin contact sizes.
- Pin and socket contact mating design with PC tail termination.
- Metal shell provides EMI/RFI shielding. Plug shell indents provide grounding and additional mating retention.
- Grounding features include two-prong boardlock for exceptional retention to PC board.
- Mounting options for panel mount or connector mating include through-hole, threaded inserts boardlocks and removable or fixed threaded standoffs.
- D-shaped connector mating outline provides polarization design based on requirements of MIL-C-24308, EIA RS-232 and RS-449.

### SPECIFICATIONS

- Insulator Material: Thermoplastic polyester, UL 94V-0; chemical resistant; colour - black.
- Ferrite Specifications: Attenuation - 20dB MIN @ 30Mhz, 30dB MIN @ 50Mhz and 50dB MIN @ 100Mhz.
- Contact Material: Plug - brass; receptacle contacts - phosphor bronze.
- Contact Plating: Gold (see *Ordering Code*) over nickel for the mating area, tin/lead plating on contact tails.
- Shell Material: Nickel-plated steel. (Tin/lead optional)
- Current Rating: 5 amperes.
- Contact Resistance: 10 milliohms maximum.
- Dielectric Withstanding Voltage: 1000V AC rms at sea level.
- Insulation Resistance: 5000 megohms minimum.
- Operating Temperature: -55° to +125° C.
- Engagement and Separation Force: 1 to 10 oz. (0.28 to 2.78 N) per contact position.

**SERIES**

**637** .....Plug  
**638**.....Receptacle

**TOTAL CONTACTS**

**015, 026, 044, 062, 078**

**PLATING CODE**

**2** .....Gold Flash (Class 3)  
**3** .....15µ" (0.38µm) (Class 2)  
**6** .....30µ" (0.76µm) (Class 1)

**CONTACT CODE**

**30** .....Low profile PC tails, .157" (4.00mm)  
**31** .....High profiles PC tails, .169" (4.30mm)  
**22/32** .....Solder cup

**EDAC INTERNAL USE**

**0** .....Indicates generic internal use code

**BODY STYLE**

**4** .....Metal covered .276" (7.00mm) low profile  
**5** .....Metal covered .472" (12.00mm) high profile (15-/26-pin)

**MOUNTING OPTION**

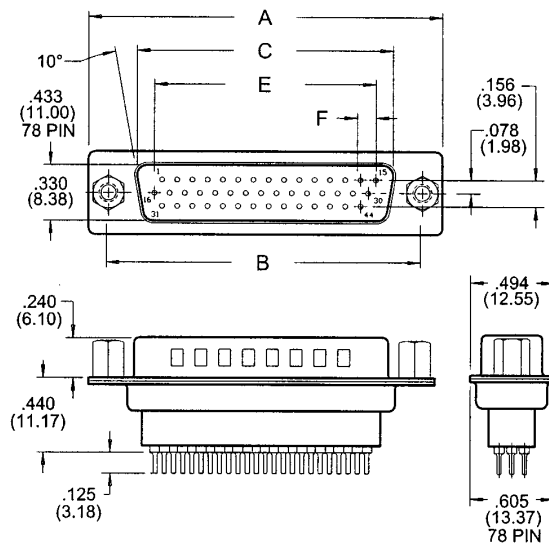
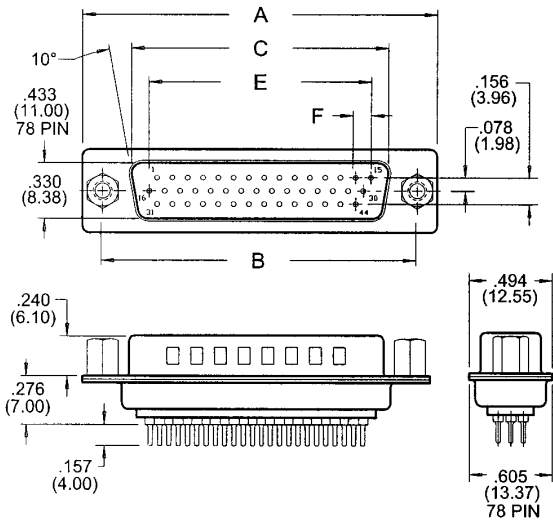
**1** ..... .125" (3.18mm) dia. through-hole  
**2** .....#4-40 UNC threaded inserts  
**3** .....#4-40 UNC threaded standoffs  
**6** .....#4-40 UNC threaded insert w/ boardlocks  
**7** .....#4-40 UNC threaded standoff w/ boardlocks  
**8** .....#4-40 UNC threaded fixed standoffs

# 637/638 SERIES

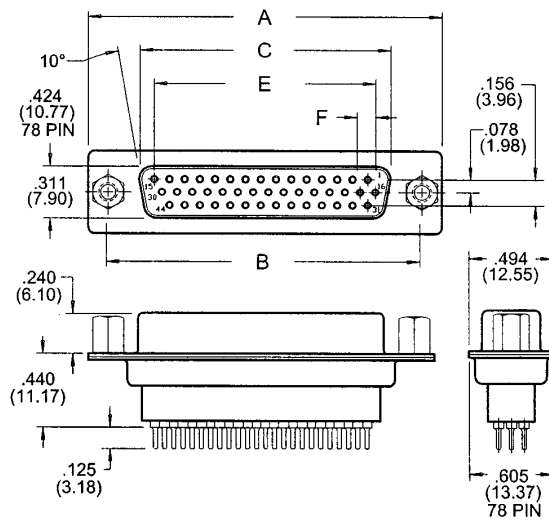
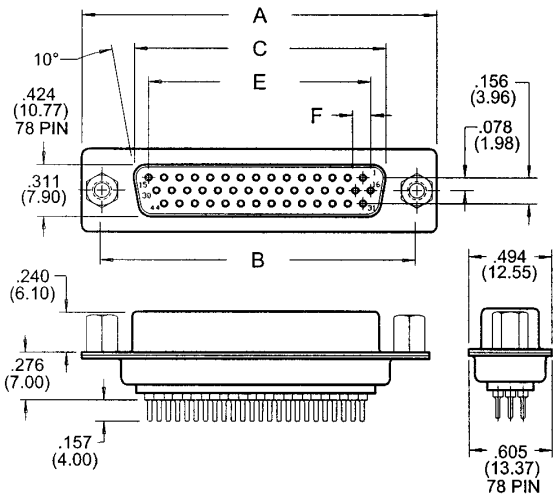
## LOW PROFILE

## PLUG 637 SERIES

## HIGH PROFILE



## RECEPTACLE 638 SERIES



NUMBER OF CONTACTS	A		B		C PLUG		C RECEPTACLE		E		F	
	Inch	(mm)	Inch	(mm)	Inch	(mm)	Inch	(mm)	Inch	(mm)	Inch	(mm)
15	1.214	(30.84)	.984	(24.99)	.667	(16.92)	.640	(16.26)	.405	(10.29)	.090	(2.29)
26	1.545	(39.24)	1.312	(33.32)	.994	(25.25)	.967	(24.56)	.765	(19.43)	.090	(2.29)
44	2.088	(53.04)	1.852	(47.04)	1.534	(38.96)	1.508	(38.30)	1.305	(33.15)	.090	(2.29)
62	2.730	(69.34)	2.500	(63.50)	2.182	(55.42)	2.156	(54.76)	1.947	(49.45)	.095	(2.41)
78	2.635	(66.93)	2.406	(61.11)	2.090	(53.08)	2.064	(52.43)	1.805	(45.85)	.095	(2.41)

Plug and Receptacle, Vertical High-Density, PCB Mount, Metal Body