

THIS DRAWING IS UNPUBLISHED.

RELEASED FOR PUBLICATION

ALL RIGHTS RESERVED.

© COPYRIGHT - By -

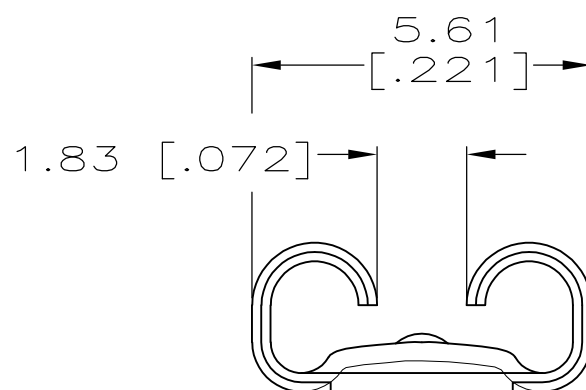
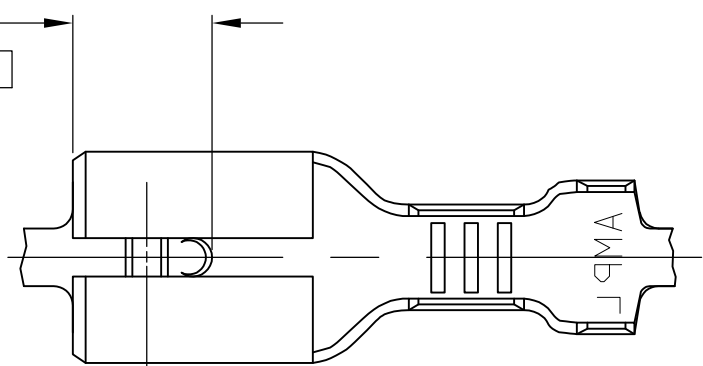
LOC AF DIST 50

REVISIONS

P	LTR	DESCRIPTION	DATE	DWN	APVD
	H	REVISED PER ECR-12-009865	13JUN12	KH	PD

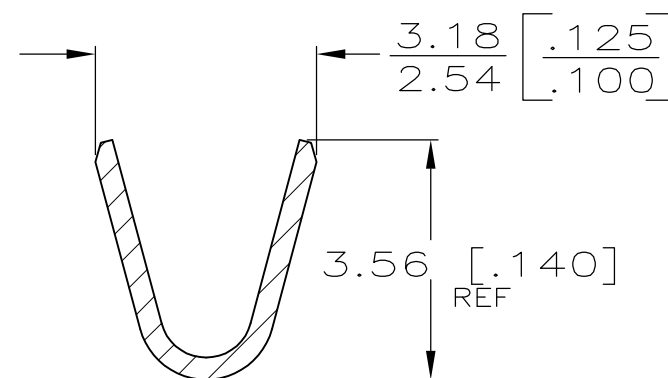
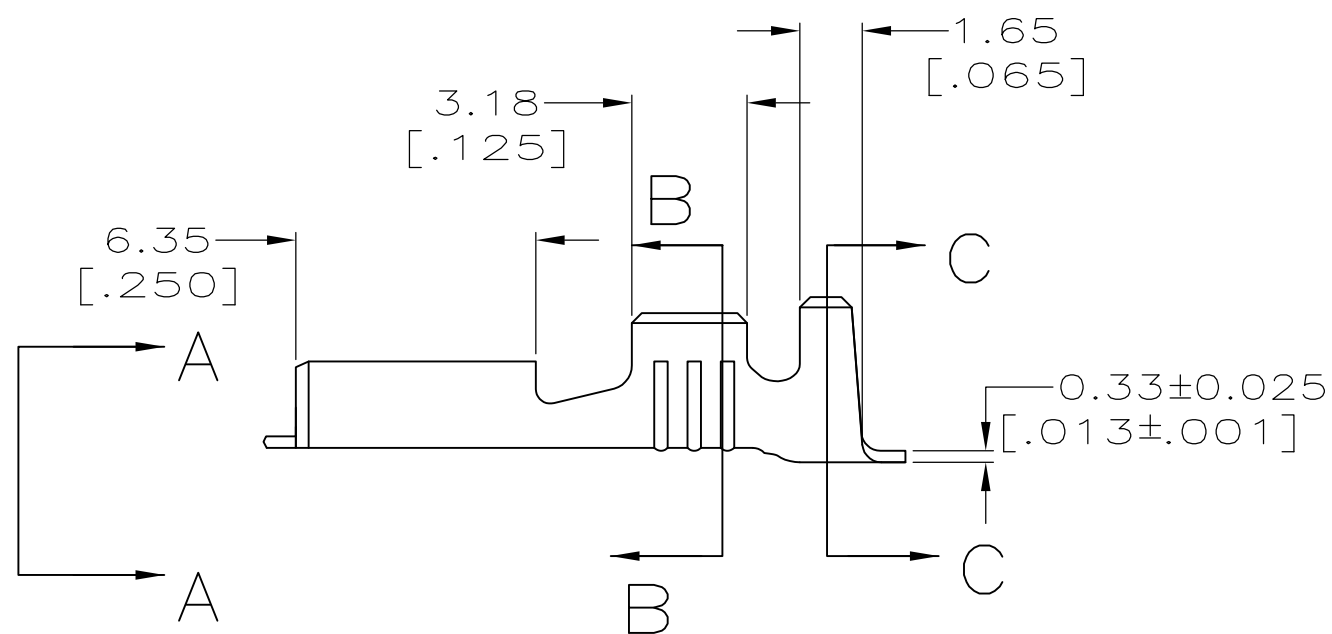
- 1 ACCEPTS WIRE SIZE [#20-#16] AWG.
- 2 INSULATION RANGE IS 2.29-3.30 [.090-.130] DIA.
- 3 CONTINUOUS STRIP ON REELS.
- 4 MATING TAB THK IS 0.813±0.025 [.032±.001].
- △5 SPECIAL PACKAGING
- △7 PRELIMINARY - NOT FOR PRODUCTION

3.68
[.145]

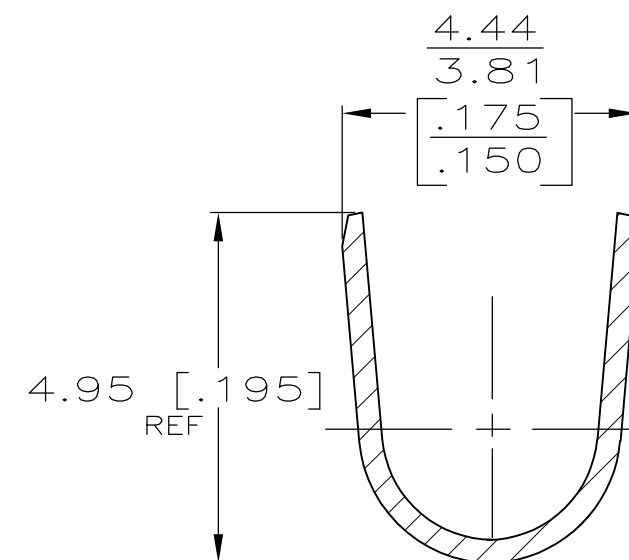


VIEW A-A
SCALE 8:1

6.35
[.250]



SECTION B-B
SCALE 8:1



SECTION C-C
SCALE 8:1

TIN	PHOS BRONZE	63477-6
-	BRASS	△5 63477-5 △7
TIN	BRASS	63477-2
-	BRASS	63477-1
FINISH	MATERIAL	PART NO.

THIS DRAWING IS A CONTROLLED DOCUMENT.

DWN JR RUTH 11/9/87

CHK G YETTER 11/10/87

APVD R KUZO 11/10/87

PRODUCT SPEC

APPLICATION SPEC

WEIGHT -

CUSTOMER DRAWING

STE TE Connectivity

NAME
RECEPTACLE, LIF, FASTON,
4.75 [.187] SERIES

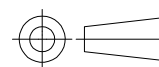
SIZE CAGE CODE DRAWING NO RESTRICTED TO

A3 00779 C-63477 -

SCALE 5:1 SHEET 1 OF 1 REV H

DIMENSIONS:
mm [INCHES]

TOLERANCES UNLESS
OTHERWISE SPECIFIED:



0 PLC	± -
1 PLC	± -
2 PLC	± 0.25 [.010]
3 PLC	± -
4 PLC	± -
ANGLES	± -

MATERIAL
H04 BRASS

FINISH
SEE TABLE