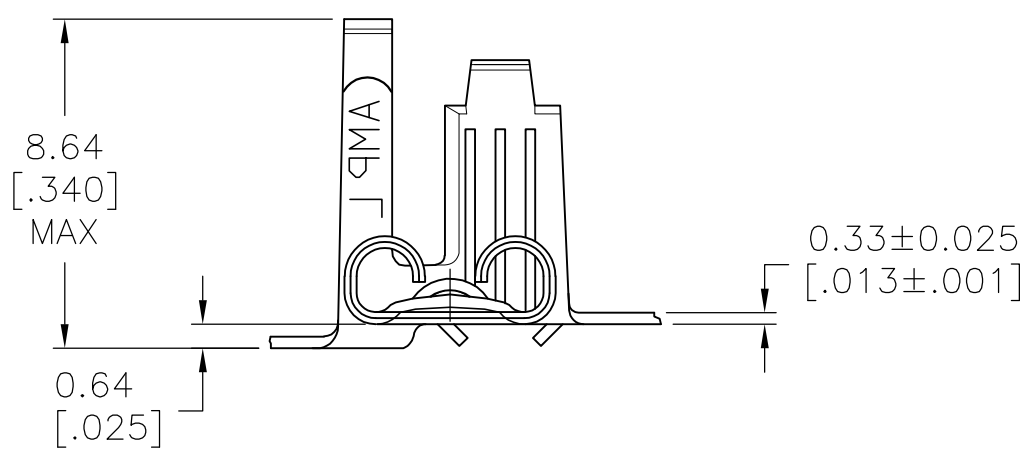
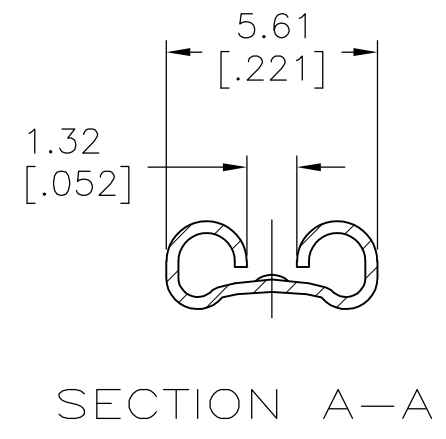
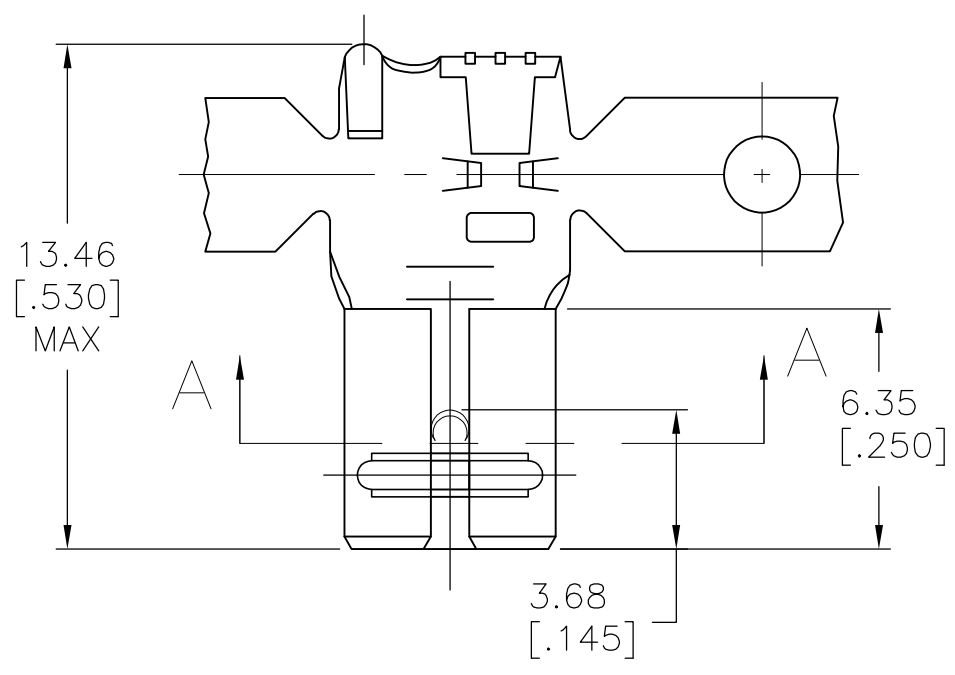


THIS DRAWING IS UNPUBLISHED. RELEASED FOR PUBLICATION  
 © COPYRIGHT BY TYCO ELECTRONICS CORPORATION. ALL INTERNATIONAL RIGHTS RESERVED.

LOC	DIST	REVISIONS					
		P	LTR	DESCRIPTION	DATE	DWN	APVD
—	—		F1	REVISED PER ECO-09-009918	4/23/09	SS	PD

1. CONTINUOUS STRIP ON REELS.
2. ACCEPTS [#20-#16] AWG. WIRE SIZE
3. INSULATION RANGE TO BE 2.79-4.32 [.110-.170] DIA
4. FEED IS 16.51±0.076 [.650±.003]



TIN	0.51±0.025 [.020±.001]	63476-2
—		63476-1
FINISH	MATING TAB THICKNESS	PART NO

THIS DRAWING IS A CONTROLLED DOCUMENT.		DWN JR RUTH 10/23/87	Tyco Electronics Corporation Harrisburg, PA 17105-3608	
DIMENSIONS: mm [INCHES]		CHK G YETTER 10/23/87		
TOLERANCES UNLESS OTHERWISE SPECIFIED:		APVD R KUZO 10/23/87	NAME RECEPTACLE, LIF, FASTON, FLAG, 4.75 [.187] SERIES	
0 PLC ± - 1 PLC ± - 2 PLC ± 0.25 [.010] 3 PLC ± - 4 PLC ± - ANGLES ± -		PRODUCT SPEC —	RESTRICTED TO —	
MATERIAL H04 BRASS	FINISH SEE TABLE	APPLICATION SPEC —	SIZE A3	CAGE CODE 00779
CUSTOMER DRAWING		WEIGHT —	DRAWING NO C-63476	RESTRICTED TO —
		SCALE 5:1		SHEET 1 OF 1
		REV F1		