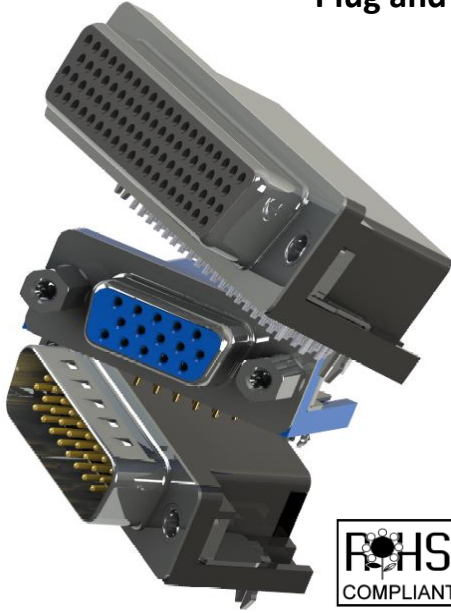




SERIES 633/634: HD D-SUB CONNECTOR

Plug and Receptacle, Right Angle, High Density .350" (8.89mm) Footprint

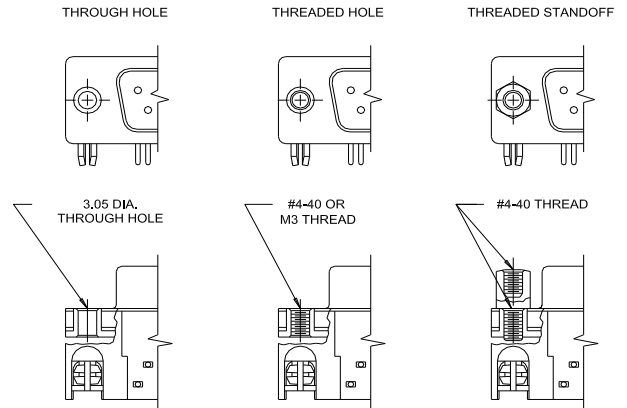


- High Density Three Contact Rows with .350" (8.89mm) Footprint Right Angle Bend
- Standard Contact Spacing and Row Spacing
- Optional 9th pin recessed on 15 Contact Size in accordance with VESA Display Data Channel Standard
- Plug and Receptacle in 15, 26, 44, 62 or 78 Contact Sizes
- Pin and Socket Contact Mating Design with P.C. Tail Termination
- Metal Shell Provides EMI/RFI Shielding, Plug Shell Indents provide Grounding and Additional Mating Retention
- Board Mounting Features include Threaded Hole, Two or Four Prong Boardlock for Exceptional Retention to P.C. Board
- Flange Mounting Options for Panel Mount or Connector Mating include Through Hole, Threaded Holes and Threaded Standoffs
- D-Shaped Connector Mating Outline provides Polarization
- Design based on Requirements of MIL-C-24038, EIA RS-232 and RS-449

Specifications:

Insulator Material	Thermoplastic Polyester, UL 94V-0, Chemical Resistant
Contact Material	Plug (Pins): Copper Alloy Receptacle (Socket): Copper Alloy
Contact Plating	Selective Gold (See Ordering Code) over Nickel for the Mating Area, Tin Plating for Tail Area
Shell Material	Tin or Nickel Plated Steel
Current Rating	3A Per Contact
Contact Resistance	25 Milliohms MAX
Insulation Resistance	5000 Megaohms MIN
Dielectric Voltage	1000V AC rms at Sea Level
Operating Temp.	-55°C To +85°C
Mating Force	16 oz (4.45N) Maximum Per Contact Position
Unmating Force	1 oz (0.28N) Minimum Per Contact Position

FLANGE MOUNTING OPTIONS



Ordering Code:

634-015-263-032

SERIES:

633: PLUG (PIN)

634: RECEPTACLE (SOCKET)

NO. OF CONTACTS:

015 - 15 CONTACTS 026 - 26 CONTACTS

044 - 44 CONTACTS 062 - 62 CONTACTS

078 - 78 CONTACTS

CONTACT FINISH CODE:

2 - GOLD FLASH PLATING

3 - 15 MICROINCHES OF GOLD PLATING

6 - 30 MICROINCHES OF GOLD PLATING

CONTACT CODE:

63 - STANDARD CONTACT

74 - 9TH PIN CONTACT RECESSED FOR 15-PIN, BLUE INSULATOR (RECEPTACLE ONLY)

FLANGE MOUNTING OPTIONS:

0 - #4-40 THREADED FIXED STANDOFF

1 - Ø.120" (Ø3.05MM) THROUGH HOLE

2 - #4-40 THREADED HOLE

3 - #4-40 THREADED STANDOFF

5 - M3 THREADED HOLE

BOARD MOUNTING FEATURE:

1 - Ø.120" (Ø3.05MM) THROUGH HOLE

3 - TWO PRONG BOARDLOCKS

4 - FOUR PRONG BOARDLOCKS

5 - #4-40 THREADED HOLE

(78 CONTACTS ONLY AVAILABLE WITH TWO PRONG BOARDLOCKS)

MATERIAL CODE:

0 - STANDARD

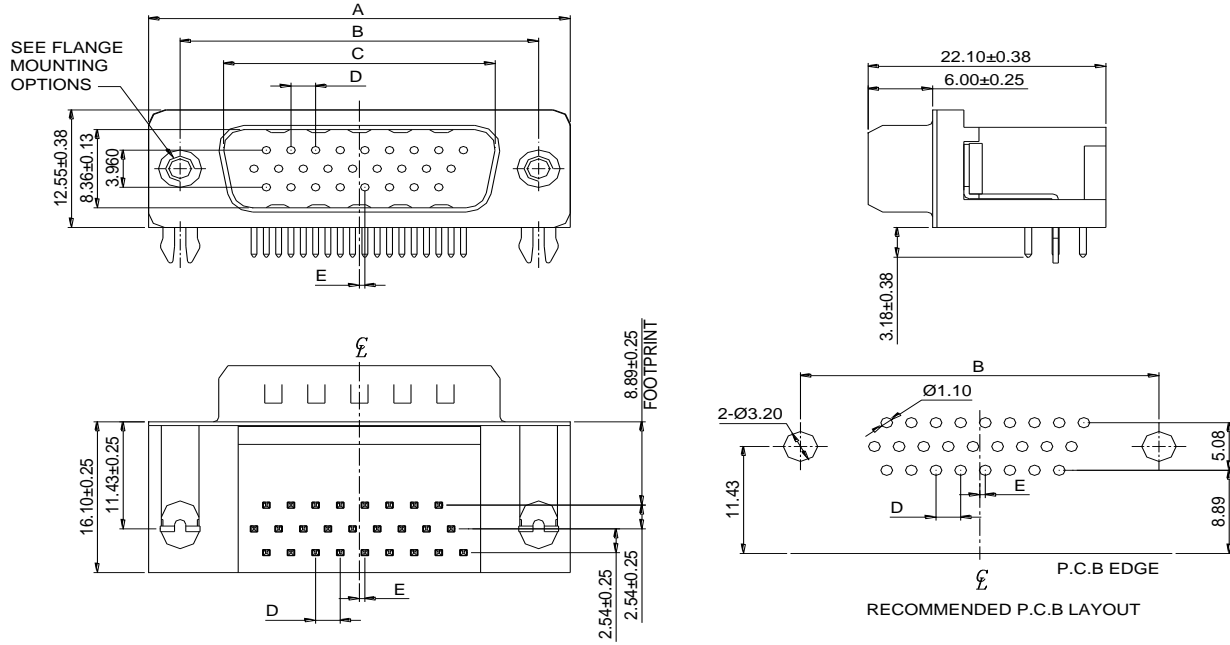
5 - HIGH TEMP INSULATOR



SERIES 633/634: HD D-SUB CONNECTOR

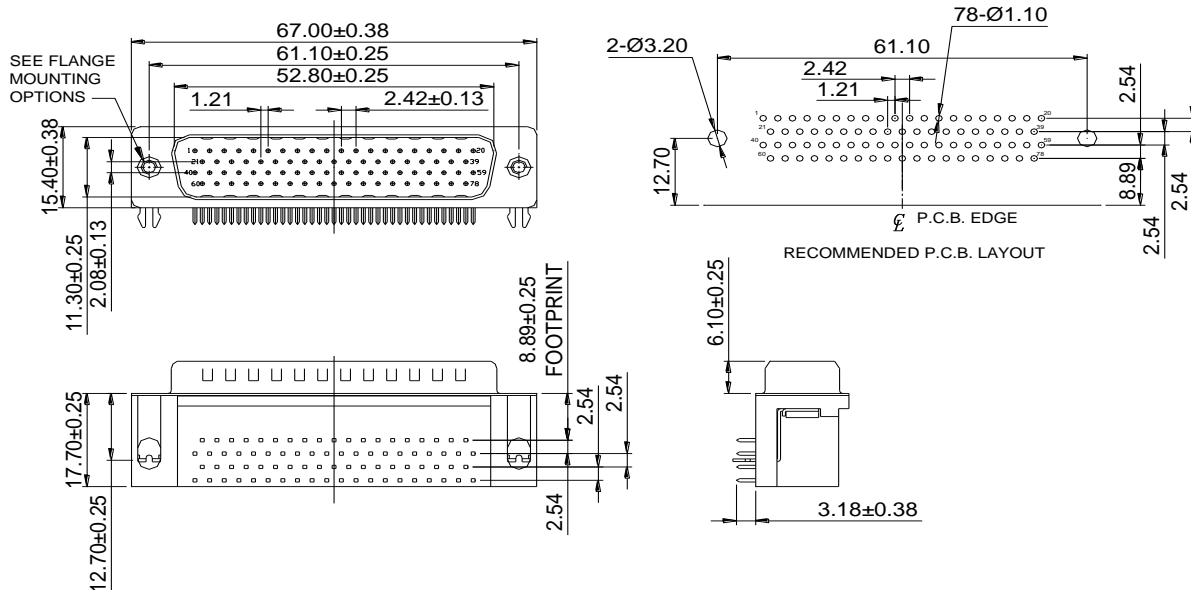
Plug , Right Angle, High Density .350"(8.89mm) Footprint

PLUG 633 SERIES (15 TO 62 PINS)



NUMBER OF CONTACTS	A±0.38		B±0.25		C±0.13		D±0.13		E±0.25	
	Inch	(mm)	Inch	(mm)	Inch	(mm)	Inch	(mm)	Inch	(mm)
15	1.213	(30.81)	.984	(24.99)	.666	(16.92)	.090	(2.29)	.010	(0.25)
26	1.543	(39.19)	1.312	(33.32)	.994	(25.25)	.090	(2.29)	.020	(0.51)
44	2.088	(53.04)	1.852	(47.04)	1.534	(38.96)	.090	(2.29)	.020	(0.51)
62	2.729	(69.32)	2.500	(63.50)	2.182	(55.42)	.095	(2.41)	.023	(0.58)

PLUG 633 SERIES (78 PINS)

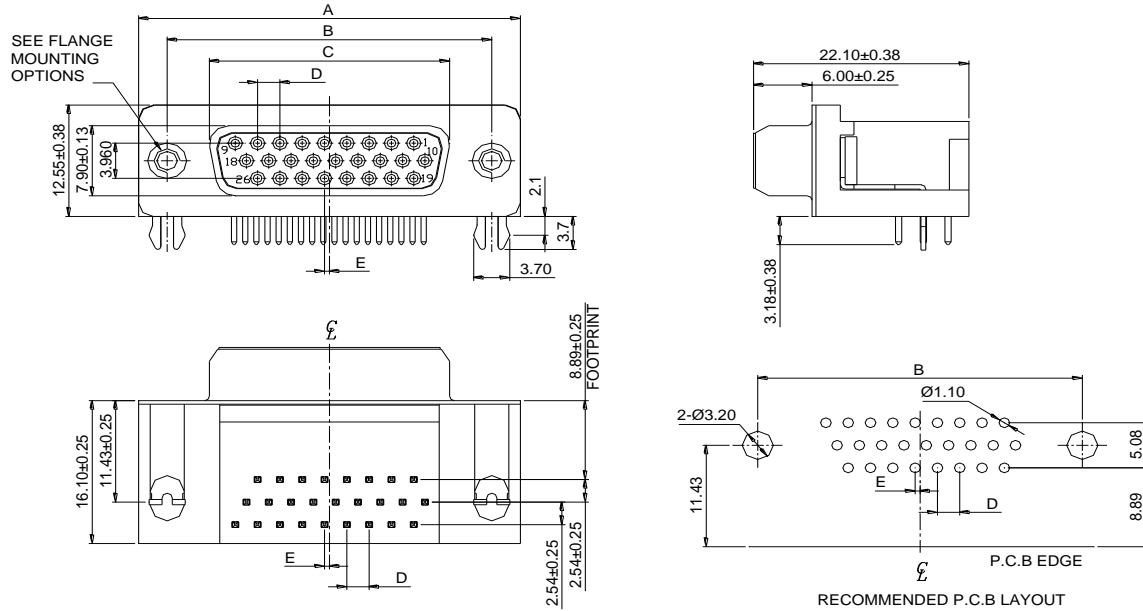




SERIES 633/634: HD D-SUB CONNECTOR

Receptacle, Right Angle, High Density .350" (8.89mm) Footprint

RECEPTACLE 634 SERIES (15 TO 62 PINS)



NUMBER OF CONTACTS	A±0.38		B±0.25		C±0.13		D±0.13		E±0.25	
	Inch	(mm)	Inch	(mm)	Inch	(mm)	Inch	(mm)	Inch	(mm)
15	1.213	(30.81)	.984	(24.99)	.643	(16.33)	.090	(2.29)	.010	(0.25)
26	1.543	(39.19)	1.312	(33.32)	.971	(24.66)	.090	(2.29)	.020	(0.51)
44	2.088	(53.04)	1.852	(47.04)	1.511	(38.38)	.090	(2.29)	.020	(0.51)
62	2.729	(69.32)	2.500	(63.50)	2.159	(54.84)	.095	(2.41)	.023	(0.58)

RECEPTACLE 634 SERIES (78 PINS)

