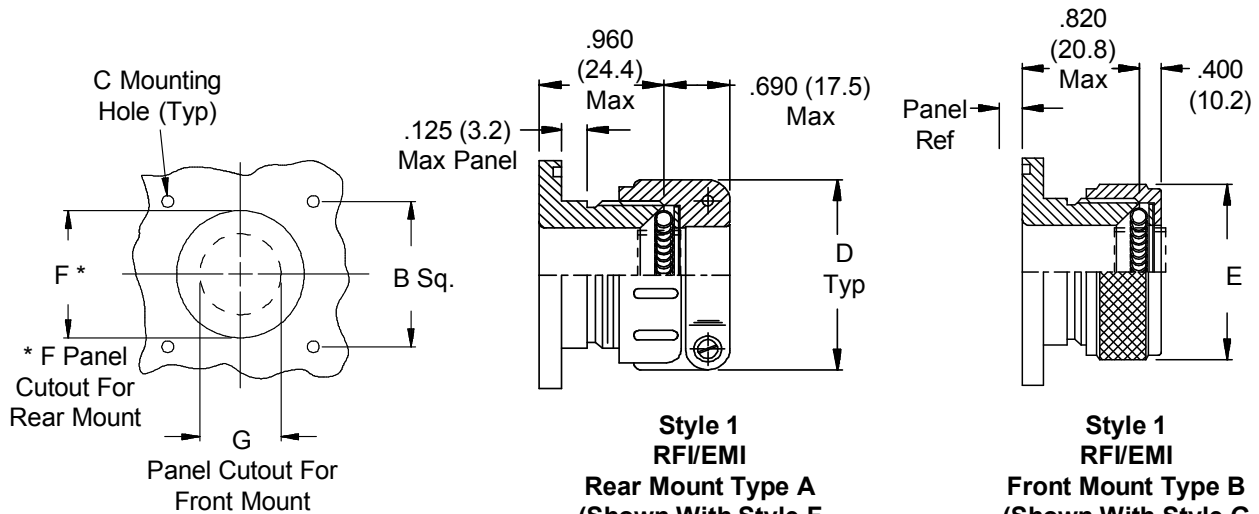
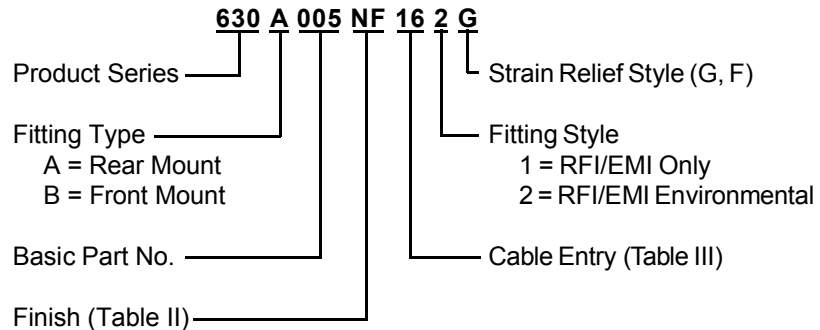
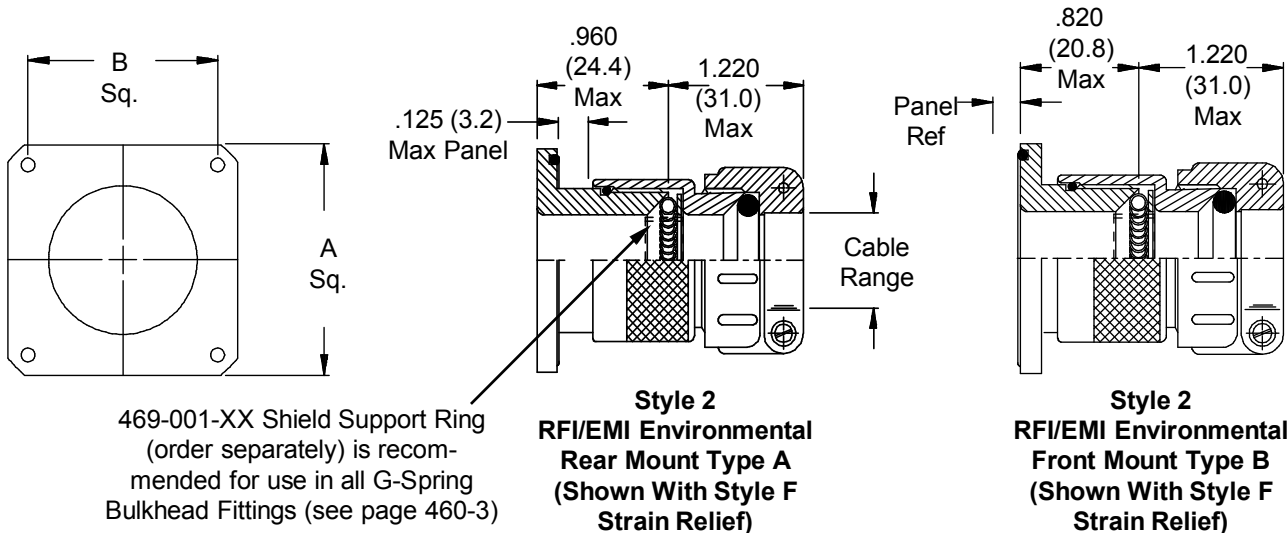


**"G"-Spring
EMI/RFI
Shield
Termination**



**Style 1
RFI/EMI
Rear Mount Type A
(Shown With Style F
Strain Relief)**

**Style 1
RFI/EMI
Front Mount Type B
(Shown With Style G
Gland Nut)**



**Style 2
RFI/EMI Environmental
Rear Mount Type A
(Shown With Style F
Strain Relief)**

**Style 2
RFI/EMI Environmental
Front Mount Type B
(Shown With Style F
Strain Relief)**

630-005
EMI/RFI Environmental G-Spring Bulkhead Fitting
with Strain Relief
Front and Rear Panel Mount - Straight



See inside back cover fold-out or page 14 for Table II.

TABLE III: CABLE ENTRY									
Dash No.	Cable Range		A Max	B Dim	C				
	Min	Max			+0.015 (-0)	+0.4 (-0.0)			
01	.156 (4.0)	.250 (6.4)	.885 (22.5)	.593 (15.1)	.120 (3.0)	.120 (3.0)			
02	.188 (4.8)	.375 (9.5)	1.104 (28.0)	.812 (20.6)	.120 (3.0)	.120 (3.0)			
03	.250 (6.4)	.438 (11.1)	1.197 (30.4)	.906 (23.0)	.120 (3.0)	.120 (3.0)			
04	.280 (7.1)	.500 (12.7)	1.291 (32.8)	.968 (24.6)	.120 (3.0)	.120 (3.0)			
05	.375 (9.5)	.625 (15.9)	1.385 (35.2)	1.062 (27.0)	.120 (3.0)	.120 (3.0)			
06	.500 (12.7)	.750 (19.1)	1.635 (41.5)	1.250 (31.8)	.120 (3.0)	.120 (3.0)			
07	.625 (15.9)	.875 (22.2)	1.760 (44.7)	1.375 (34.9)	.147 (3.7)	.147 (3.7)			
08	.750 (19.1)	1.000 (25.4)	2.010 (51.1)	1.562 (39.7)	.147 (3.7)	.147 (3.7)			
09	.875 (22.2)	1.125 (28.6)	2.260 (57.4)	1.750 (44.5)	.173 (4.4)	.173 (4.4)			
10	1.000 (25.4)	1.250 (31.8)	2.510 (63.8)	1.938 (49.2)	.173 (4.4)	.173 (4.4)			
11	1.125 (28.6)	1.375 (34.9)	2.760 (70.1)	2.125 (54.0)	.173 (4.4)	.173 (4.4)			

TABLE III (Continued)						
Dash No.	D Max	E Max	F		G	
			+0.015 (-0)	+0.4 (-0.0)	+0.031 (-0)	+0.8 (-0.0)
01	.843 (21.4)	.625 (15.9)	.515 (13.1)	.250 (6.4)	.250 (6.4)	.250 (6.4)
02	.968 (24.6)	.750 (19.1)	.640 (16.3)	.375 (9.5)	.375 (9.5)	.375 (9.5)
03	1.046 (26.6)	.875 (22.2)	.765 (19.4)	.438 (11.1)	.438 (11.1)	.438 (11.1)
04	1.156 (29.4)	1.000 (25.4)	.890 (22.6)	.500 (12.7)	.500 (12.7)	.500 (12.7)
05	1.218 (30.9)	1.125 (28.6)	1.015 (25.8)	.625 (15.9)	.625 (15.9)	.625 (15.9)
06	1.343 (34.1)	1.250 (31.8)	1.140 (29.0)	.750 (19.1)	.750 (19.1)	.750 (19.1)
07	1.468 (37.3)	1.375 (34.9)	1.265 (32.1)	.875 (22.2)	.875 (22.2)	.875 (22.2)
08	1.593 (40.5)	1.500 (38.1)	1.390 (35.3)	1.000 (25.4)	1.000 (25.4)	1.000 (25.4)
09	1.718 (43.6)	1.625 (41.3)	1.515 (38.5)	1.125 (28.6)	1.125 (28.6)	1.125 (28.6)
10	1.843 (46.8)	1.750 (44.5)	1.640 (41.7)	1.250 (31.8)	1.250 (31.8)	1.250 (31.8)
11	2.187 (55.5)	1.875 (47.6)	1.765 (44.8)	1.375 (34.9)	1.375 (34.9)	1.375 (34.9)

1. Metric dimensions (mm) are indicated in parentheses.
2. Cable range is defined as the accommodations range for the wire bundle or cable. Dimensions shown are not intended for inspection criteria.
3. For proper termination, it is recommended that Glenair 469-001 Shield Support Ring (page 460-3) must be used on all assemblies. Place ring over wire and under shield; position under G-Spring.