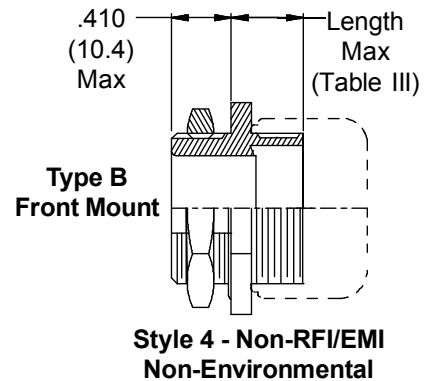
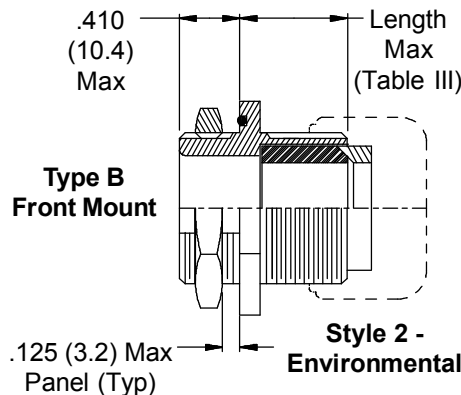
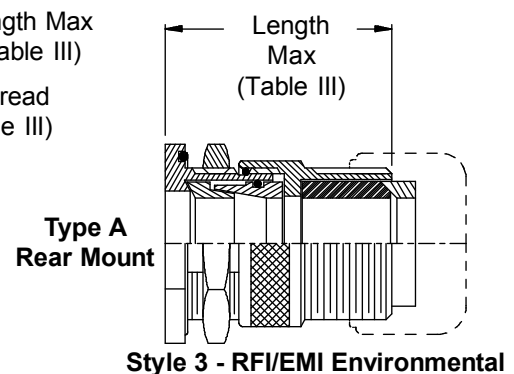
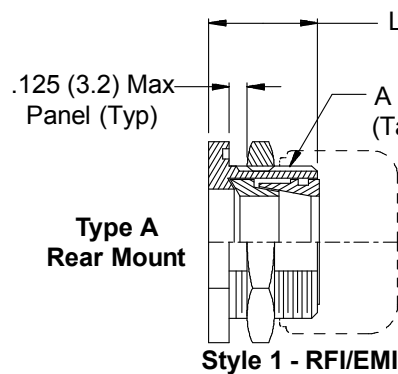
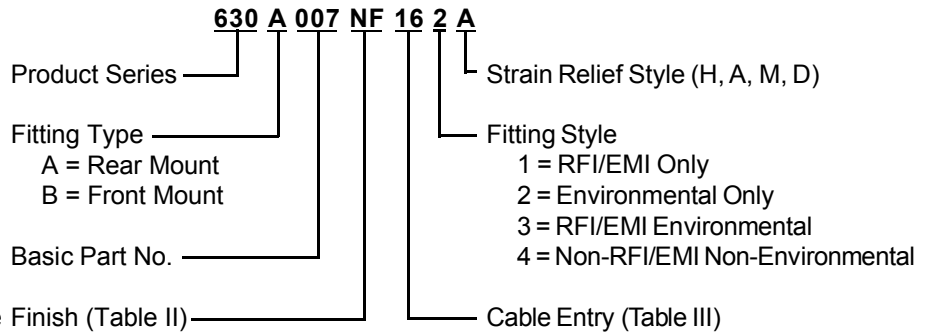
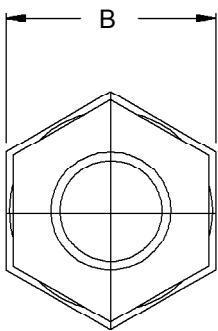
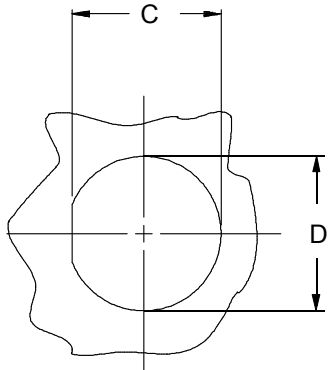


## Single Overall EMI/RFI Shield Termination

1. Metric dimensions (mm) are indicated in parentheses.
2. Cable range is defined as the accommodations range for the wire bundle or cable. Dimensions shown are not intended for inspection criteria.

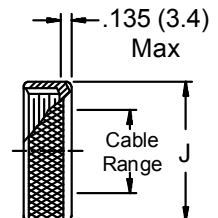
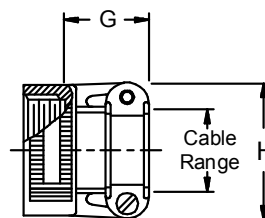
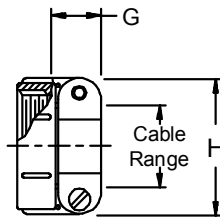
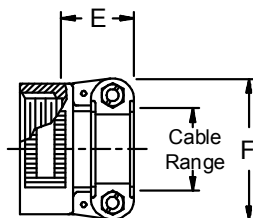


**STYLE H**  
Heavy Duty

**STYLE A**  
Medium Duty

**STYLE M**  
Medium Duty

**STYLE D**  
Medium Duty



**630-007**  
**EMI/RFI Environmental Bulkhead Feed-Through**  
**with Strain Relief**  
**Front and Rear Jam Nut Mount - Straight**



See inside back cover fold-out or page 14 for Table II.

**TABLE III: CABLE ENTRY**

Dash No.	Clamp Style	Clamp Size	Cable Range		A Thread	B	C Flat		D Dia	
			Min	Max	Unified	Dim	± .010	(± .3)	± .010	(± .3)
01	1, 2, 4	03	.157 (4.0)	.250 (6.4)	1/2 -28	.688 (17.5)	.479 (12.2)	.515 (13.1)		
02	3	03	.157 (4.0)	.250 (6.4)	1/2 -28	.688 (17.5)	.479 (12.2)	.515 (13.1)		
03	1, 2, 4	04	.187 (4.7)	.312 (7.9)	5/8 -24	.813 (20.7)	.595 (15.1)	.640 (16.3)		
04	3	04	.187 (4.7)	.312 (7.9)	5/8 -24	.813 (20.7)	.595 (15.1)	.640 (16.3)		
05	1, 2, 4	06	.281 (7.1)	.437 (11.1)	3/4 -20	.938 (23.8)	.720 (18.3)	.765 (19.4)		
06	3	06	.281 (7.1)	.437 (11.1)	3/4 -20	.938 (23.8)	.720 (18.3)	.765 (19.4)		
07	1, 2, 4	08	.344 (8.7)	.562 (14.3)	7/8 -20	1.063 (27.0)	.845 (21.5)	.890 (22.6)		
08	3	08	.344 (8.7)	.562 (14.3)	7/8 -20	1.063 (27.0)	.845 (21.5)	.890 (22.6)		
09	1, 2, 4	10	.375 (9.5)	.625 (15.9)	1 -20	1.250 (31.8)	.970 (24.6)	1.015 (25.8)		
10	3	10	.375 (9.5)	.625 (15.9)	1 -20	1.250 (31.8)	.970 (24.6)	1.015 (25.8)		
11	1, 2, 4	12	.438 (11.1)	.750 (19.1)	1 3/16 -18	1.375 (34.9)	1.158 (29.4)	1.202 (30.5)		
12	3	12	.438 (11.1)	.750 (19.1)	1 3/16 -18	1.375 (34.9)	1.158 (29.4)	1.202 (30.5)		
13	1, 2, 4	16	.625 (15.9)	.937 (23.8)	1 7/16 -18	1.625 (41.3)	1.408 (35.8)	1.452 (36.9)		
14	3	16	.625 (15.9)	.937 (23.8)	1 7/16 -18	1.625 (41.3)	1.408 (35.8)	1.452 (36.9)		
15	1, 2, 4	20	.875 (22.2)	1.250 (31.8)	1 3/4 -18	2.000 (50.8)	1.720 (43.7)	1.765 (44.8)		
16	3	20	.875 (22.2)	1.250 (31.8)	1 3/4 -18	2.000 (50.8)	1.720 (43.7)	1.765 (44.8)		
17	1, 2, 4	24	1.000 (25.4)	1.375 (34.9)	2 -18	2.188 (55.6)	1.970 (50.0)	2.015 (51.2)		
18	3	24	1.000 (25.4)	1.375 (34.9)	2 -18	2.188 (55.6)	1.970 (50.0)	2.015 (51.2)		
19	1, 2, 4	28	1.250 (31.8)	1.625 (41.3)	2 1/4 -16	2.438 (61.9)	2.220 (56.4)	2.265 (57.5)		
20	3	28	1.250 (31.8)	1.625 (41.3)	2 1/4 -16	2.438 (61.9)	2.220 (56.4)	2.265 (57.5)		
21	1, 2, 4	32	1.437 (36.5)	1.875 (47.6)	2 1/2 -16	2.813 (71.5)	2.470 (62.7)	2.515 (63.9)		
22	3	32	1.437 (36.5)	1.875 (47.6)	2 1/2 -16	2.813 (71.5)	2.470 (62.7)	2.515 (63.9)		
23	1, 2, 4	40	1.875 (47.6)	2.375 (60.3)	3 -16	3.375 (85.7)	2.970 (75.4)	3.015 (76.6)		
24	3	40	1.875 (47.6)	2.375 (60.3)	3 -16	3.375 (85.7)	2.970 (75.4)	3.015 (76.6)		

**TABLE III (Continued)**

Dash No.	Style	E Max	F Max	G Max	H Max	J Max	Length Max
01	1, 2, 4	---	---	.760 (19.3)	.843 (21.4)	.630 (16.0)	1.281 (32.5)
02	3	---	---	.760 (19.3)	.843 (21.4)	.630 (16.0)	1.969 (50.0)
03	1, 2, 4	.780 (19.8)	.957 (24.3)	.760 (19.3)	.906 (23.0)	.755 (19.2)	1.281 (32.5)
04	3	.780 (19.8)	.957 (24.3)	.760 (19.3)	.906 (23.0)	.755 (19.2)	1.969 (50.0)
05	1, 2, 4	.780 (19.8)	1.145 (29.1)	.760 (19.3)	1.093 (27.8)	.942 (23.9)	1.281 (32.5)
06	3	.780 (19.8)	1.145 (29.1)	.760 (19.3)	1.093 (27.8)	.942 (23.9)	1.969 (50.0)
07	1, 2, 4	.780 (19.8)	1.332 (33.8)	.760 (19.3)	1.187 (30.1)	1.067 (27.1)	1.281 (32.5)
08	3	.780 (19.8)	1.332 (33.8)	.760 (19.3)	1.187 (30.1)	1.067 (27.1)	1.969 (50.0)
09	1, 2, 4	.780 (19.8)	1.332 (33.8)	.760 (19.3)	1.281 (32.5)	1.192 (30.3)	1.281 (32.5)
10	3	.780 (19.8)	1.332 (33.8)	.760 (19.3)	1.281 (32.5)	1.192 (30.3)	1.969 (50.0)
11	1, 2, 4	.811 (20.6)	1.551 (39.4)	.760 (19.3)	1.500 (38.1)	1.380 (35.1)	1.344 (34.1)
12	3	.811 (20.6)	1.551 (39.4)	.760 (19.3)	1.500 (38.1)	1.380 (35.1)	1.969 (50.0)
13	1, 2, 4	.905 (23.0)	1.770 (45.0)	1.073 (27.3)	1.719 (43.7)	1.535 (39.0)	1.344 (34.1)
14	3	.905 (23.0)	1.770 (45.0)	1.073 (27.3)	1.719 (43.7)	1.535 (39.0)	1.969 (50.0)
15	1, 2, 4	1.092 (27.7)	2.113 (53.7)	1.323 (33.6)	2.062 (52.4)	1.848 (46.9)	1.344 (34.1)
16	3	1.092 (27.7)	2.113 (53.7)	1.323 (33.6)	2.062 (52.4)	1.848 (46.9)	2.062 (52.4)
17	1, 2, 4	1.124 (28.5)	2.363 (60.0)	1.323 (33.6)	2.312 (58.7)	2.255 (57.3)	1.406 (35.7)
18	3	1.124 (28.5)	2.363 (60.0)	1.323 (33.6)	2.312 (58.7)	2.255 (57.3)	2.062 (52.4)
19	1, 2, 4	1.399 (35.5)	2.770 (70.4)	1.572 (39.9)	2.719 (69.1)	2.505 (63.6)	1.406 (35.7)
20	3	1.399 (35.5)	2.770 (70.4)	1.572 (39.9)	2.719 (69.1)	2.505 (63.6)	2.062 (52.4)
21	1, 2, 4	1.399 (35.5)	3.020 (76.7)	1.572 (39.9)	2.969 (75.4)	2.755 (70.0)	1.406 (35.7)
22	3	1.399 (35.5)	3.020 (76.7)	1.572 (39.9)	2.969 (75.4)	2.755 (70.0)	2.375 (60.3)
23	1, 2, 4	---	---	1.572 (39.9)	3.531 (89.7)	3.255 (82.7)	1.531 (38.9)
24	3	---	---	1.572 (39.9)	3.531 (89.7)	3.255 (82.7)	2.375 (60.3)