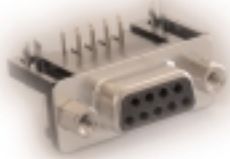


629/630 SERIES



FEATURES

- Two contact rows with .370" (9.44mm) footprint right angle bend.
- .109" (2.77mm) contact spacing x .112" (2.82mm) row spacing.
- Plug and receptacle in 9-, 15-, 25-, 37-pin contact sizes.
- Pin and socket contact mating design with PC tail termination.
- Metal shell provides EMI/RFI shielding. Plug shell indents provide grounding and additional mating retention.
- Grounding features include two-prong boardlock for exceptional retention to PC board.
- Mounting options for panel mount or connector mating include through-hole, threaded inserts and threaded standoffs.
- D-shaped connector mating outline provides polarization design based on requirements of MIL-C-24308, EIA RS-232 and RS-449.

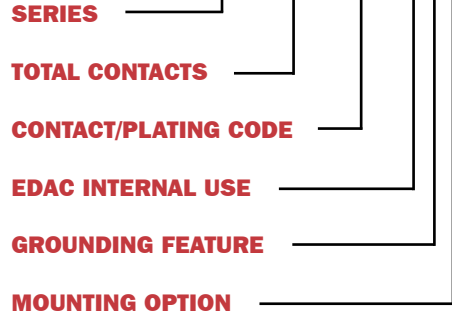
SPECIFICATIONS

- Insulator Material: Thermoplastic polyester, UL 94V-0; chemical resistant; colour - black.
- Contact Material: Plug contacts - brass; receptacle contacts - phosphor bronze.
- Contact Plating: Gold (see *Ordering Code*) over nickel for the mating area, tin/lead plating on contact tails.
- Shell Material: Tin/lead plated steel. (nickel optional)
- Current Rating: 5 amperes.
- Contact Resistance: 10 milliohms maximum.
- Dielectric Withstanding Voltage: 1000V AC rms at sea level.
- Insulation Resistance: 5000 megohms minimum.
- Operating Temperature: -55° to +125° C.
- Engagement and Separation Force: 1 to 10 oz. (0.28 to 2.78 N) per contact position.

629/630 SERIES ORDERING CODE

Example:

629-025-240-033



SERIES	
629	Plug
630	Receptacle

TOTAL CONTACTS	
009, 015, 025, 37	

CONTACT/PLATING CODE	
240	Gold Flash (Class 3)
340	15µ" (0.38µm) (Class 2)
640	30µ" (0.76µm) (Class 1)

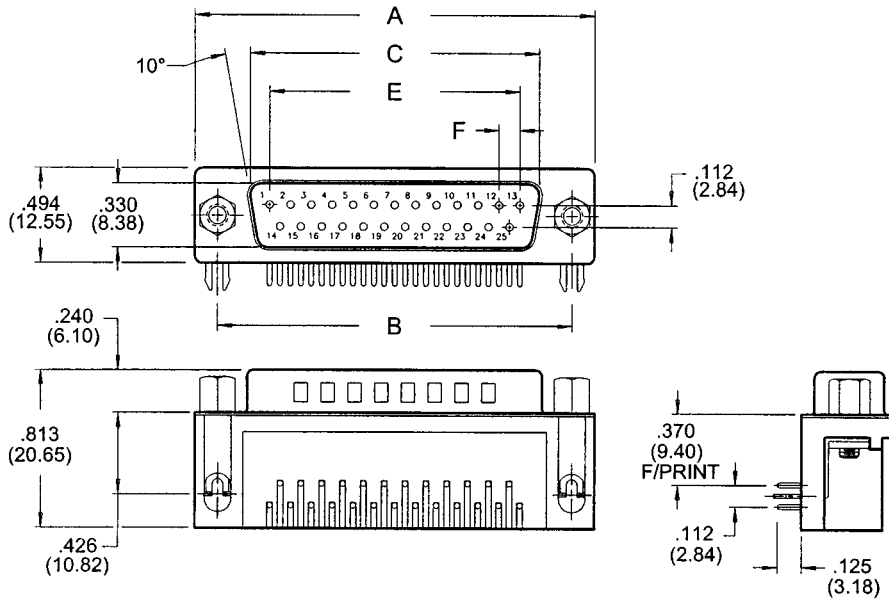
EDAC INTERNAL USE	
0	Indicates generic internal use code

GROUNDING FEATURE	
1120" (3.05mm) dia. through hole top ground
2120" (3.05mm) dia. through hole bottom ground
3	Two-prong boardlock for .120" (3.05mm) dia. PCB hole

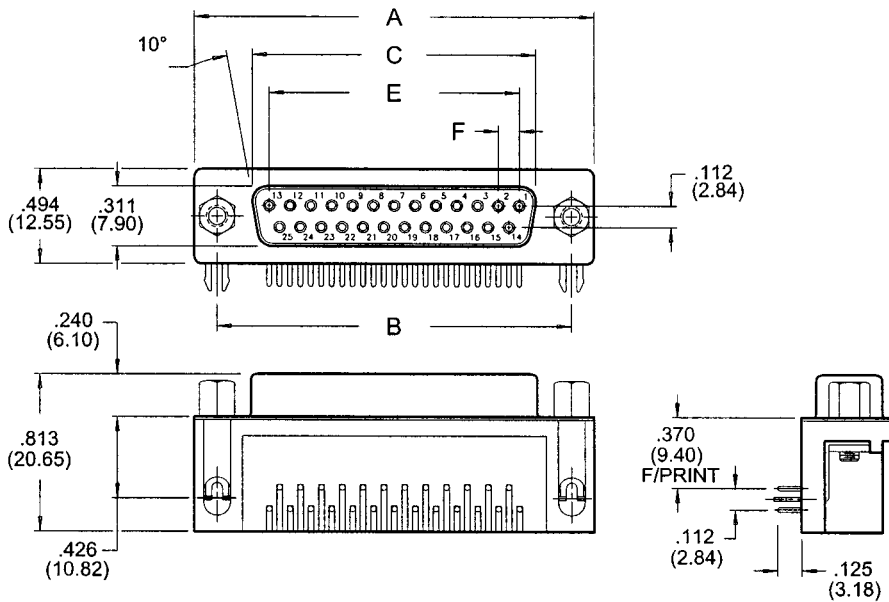
MOUNTING OPTION	
0	#4-40 UNC standoff w/ threaded insert
1125" (3.18mm) dia. through-hole
2	#4-40 UNC threaded insert
3	#4-40 UNC hex standoff w/ threaded insert

629/630 SERIES

PLUG 629 SERIES



RECEPTACLE 630 SERIES



NUMBER OF CONTACTS	A		B		C PLUG		C RECEPTACLE		E		F	
	Inch	(mm)	Inch	(mm)	Inch	(mm)	Inch	(mm)	Inch	(mm)	Inch	(mm)
9	1.214	(30.84)	.984	(24.99)	.667	(16.92)	.640	(16.26)	.432	(10.97)	.108	(2.74)
15	1.545	(39.24)	1.312	(33.32)	.994	(25.25)	.967	(24.56)	.756	(19.20)	.108	(2.74)
25	2.088	(53.04)	1.852	(47.04)	1.534	(38.96)	1.508	(38.30)	1.304	(33.12)	.109	(2.76)
37	2.730	(69.34)	2.500	(63.50)	2.182	(53.08)	2.156	(54.76)	1.956	(49.68)	.109	(2.76)

Plug and Receptacle, Right Angle, .370" (9.44mm) Footprint