

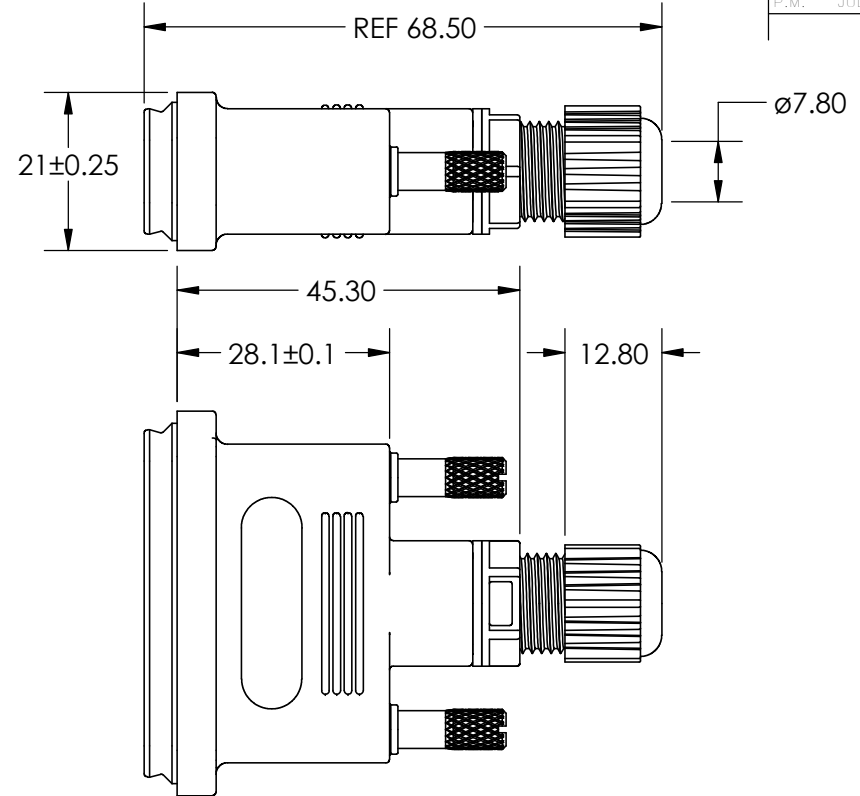
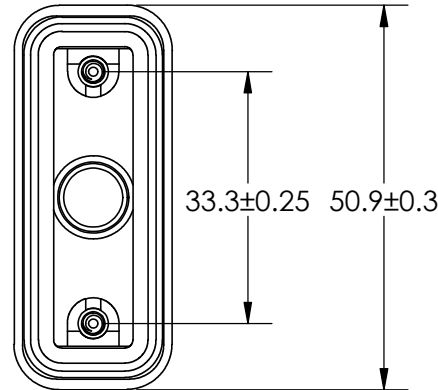
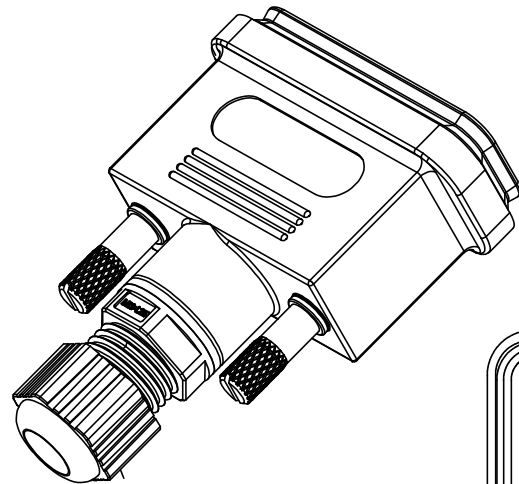
**Note:**

ABS Temperature rating: 0°C ~+80°C  
 Silicon temperature rating: -35°C ~+116°C

THIS IS A C.A.D. GENERATED DRAWING  
 DO NOT MAKE MANUAL REVISIONS TO MASTER



ISSUE NUMBER	
ORIGINAL	<input type="radio"/>
ADD NOTE ADD ø7.80	
P.M. JUL. 2/2020	<input type="radio"/>



**Materials and Finish**

1. Housing: ABS, UL94V-0, Black
2. Gasket: Silicon, Black
3. O-Ring: Silicon, Black
4. Screw: Brass, Nickel Plated
5. Body Nut: ZYTEL, Black
6. Seal: Silicon, Black
7. Pressure Washer: Silicon, Black
8. Sealing Nut: ZYTEL, Black

DEGREE OF PROTECTION: IP67 AS PER IEC60529



THIS SERIES FULLY CONFORMS TO  
 THE EUROPEAN UNION DIRECTIVES  
 2011/65/EU FOR RoHS COMPLIANCY.

<b>Standard Density Waterproof D-Sub Connector                  BACKSHELL                  627-230-015-010</b>		ACAD REFERENCE NO. 627-230-015-010	
		DRAWN: R.STA.MONICA	DATE: June.4/13
		CHECKED:	DATE:
		SCALE: NTS	SHEET 1 OF 1
		DRAWING NUMBER 627-230-015-010	ISSUE 2



EDAC INC  
 TORONTO, ONTARIO  
 CANADA

YOUR CONNECTION TO QUALITY & SERVICE

THESE DRAWINGS AND SPECIFICATIONS  
 ARE THE PROPERTY OF EDAC INC. AND  
 SHALL NOT BE REPRODUCED, OR COPIED  
 OR USED AS THE BASIS FOR THE  
 MANUFACTURE OR SALE OF APPARATUS  
 WITHOUT WRITTEN PERMISSION.