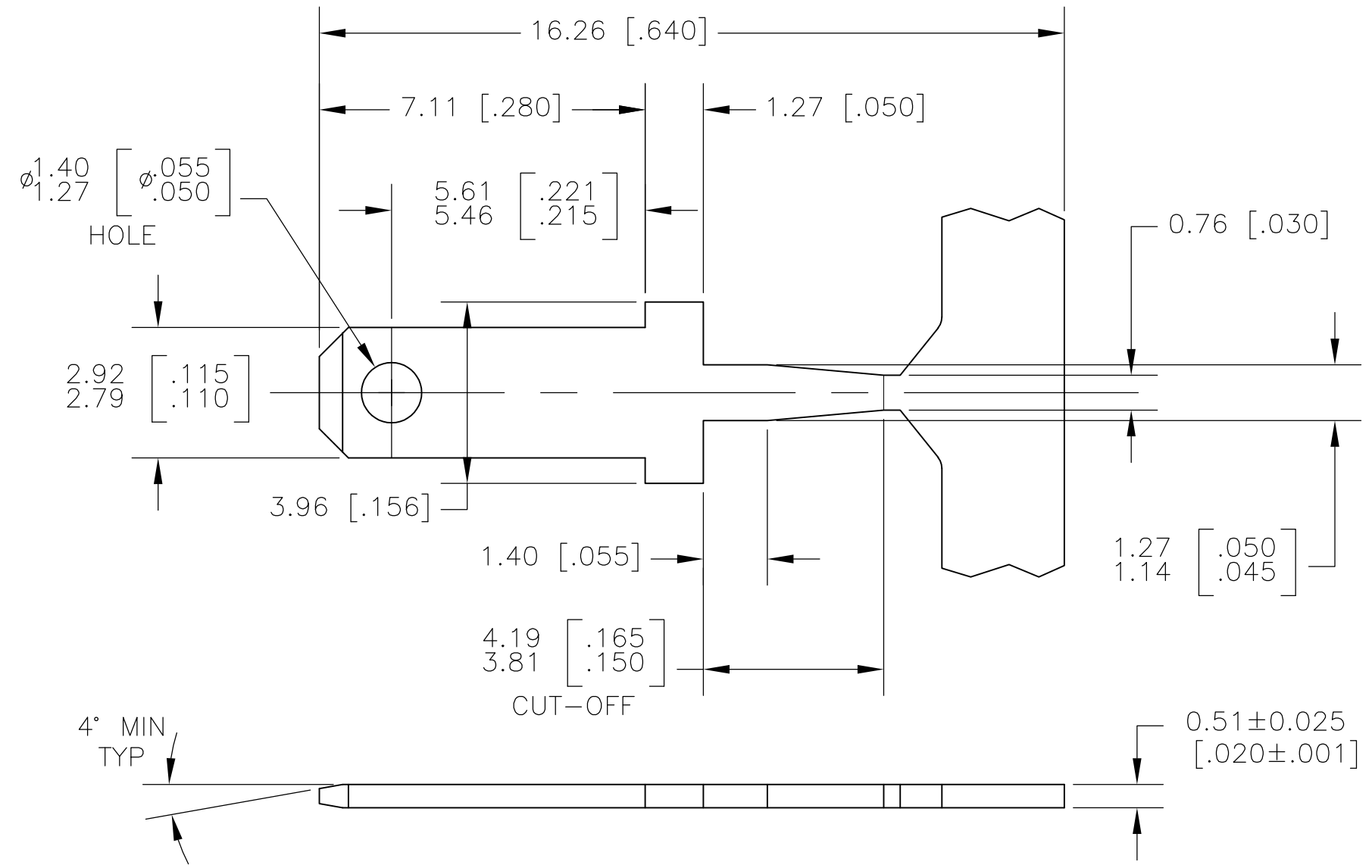


THIS DRAWING IS UNPUBLISHED. RELEASED FOR PUBLICATION
 © COPYRIGHT - By - ALL RIGHTS RESERVED.

LOC	DIST	REVISIONS					
AF	50	P	LTR	DESCRIPTION	DATE	DWN	APVD
			T2	REVISED PER ECO-11-004820	11MAR11	RK	HMR



- 1 CONTINUOUS STRIP ON REELS
- 2 PART TO MEET AMP SOLDERABILITY SPEC 109-11-2 (MILDLY ACTIVATED ROSIN)
- 3 FITS 1.22/1.11 [.048/.044] DIA HOLE IN PC BOARD. WHEN PLATED THRU HOLES ARE TO BE USED, ADJUSTMENT TO HOLE DIA'S SHOULD BE MADE TO ALLOW FOR THE PLATING.
- 4 PRELIMINARY - NOT FOR PRODUCTION, TO BE REELED ON PLASTIC REELS.
- 5 SPLICE FREE REELING.
- 6 0.00381 [.000150] MIN TIN OVER 0.00254 [.000100] MIN COPPER.
- 7 0.00381 [.000050] MIN TIN OVER COPPER.
- 8 OBSOLETE PARTS: OBSOLETE CIS STREAMLINING PER D.RENAUD/D.SINISI

SUPERSEDED BY 62395-1	8 OBSOLETE	6	5 62395-4
		6	4 62395-3
		7	2 62395-2
		6	62395-1
			FINISH

THIS DRAWING IS A CONTROLLED DOCUMENT.		DWN	JR RUTH	12DEC00	STE TE Connectivity		
DIMENSIONS: MM [INCHES]		CHK	MS FEHER	12DEC00			
TOLERANCES UNLESS OTHERWISE SPECIFIED:		APVD	G PORTA	12DEC00	NAME		
0 PLC ± -		PRODUCT SPEC		TAB, FASTON, PC BOARD, 2.79 [.110] SERIES			
1 PLC ± -		APPLICATION SPEC		SIZE	CAGE CODE	DRAWING NO	RESTRICTED TO
2 PLC ± 0.25 [.010]		MATERIAL		A3 00779		C-62395	-
3 PLC ± -		FINISH		CUSTOMER DRAWING			SCALE
4 PLC ± -		SEE TABLE		8:1			SHEET
ANGLES ± -				1 OF 1			REV
				T2			