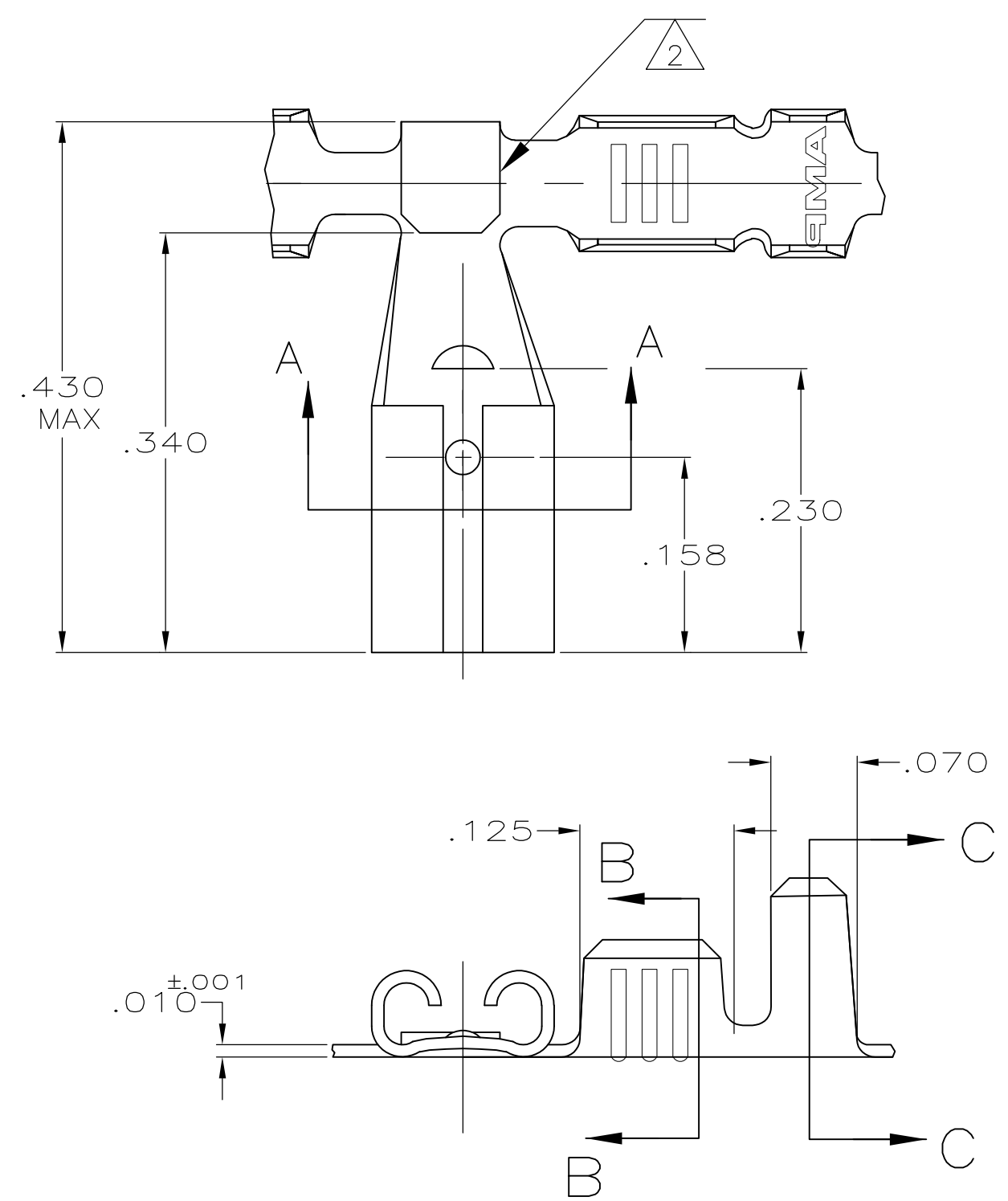
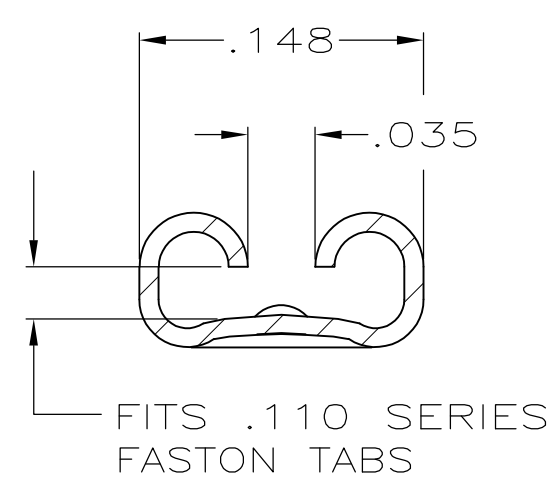


THIS DRAWING IS UNPUBLISHED. RELEASED FOR PUBLICATION
 © COPYRIGHT - By - ALL RIGHTS RESERVED.

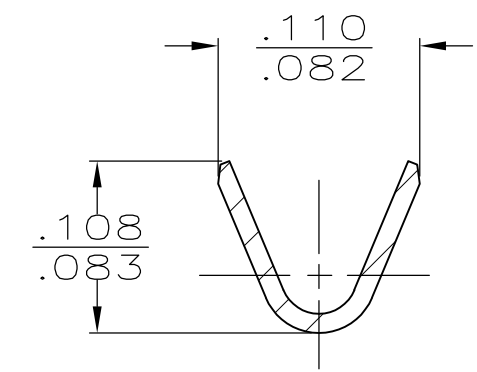
LOC	DIST	REVISIONS			
P	LTR	DESCRIPTION	DATE	DWN	APVD
AF	50				
	C2	REVISED PER ECO-11-004820	11MAR11	RK	HMR



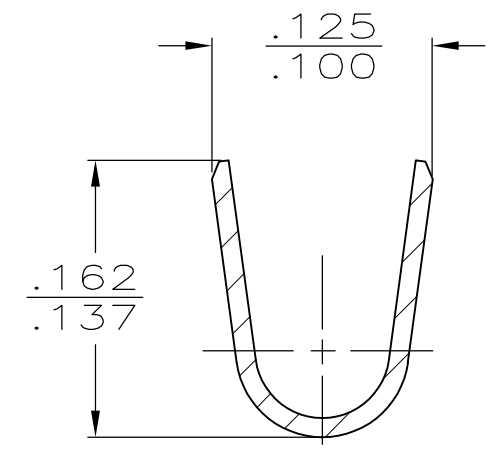
1 CONTINUOUS STRIP ON REELS
 2 GAP PERMISSABLE IN THIS AREA



SECTION A-A
SCALE 10:1



SECTION B-B
SCALE 10:1



SECTION C-C
SCALE 10:1

2	NICKEL	CR STEEL	.060-.100 DIA	22-18 AWG	.032	62336-2
	PRE-TIN	H04 BRASS				62336-1
	FINISH	MATERIAL	INSULATION RANGE	WIRE SIZE	MATING TAB THK ±.001	PART NO

THIS DRAWING IS A CONTROLLED DOCUMENT.		DWN	JR RUTH	4/22/91	TE Connectivity RECEPTACLE, FASTON, FLAG, .110 SERIES												
DIMENSIONS: INCHES		CHK	MS FEHER	4/22/91				NAME									
TOLERANCES UNLESS OTHERWISE SPECIFIED:		APVD	C MEYERS	4/22/91				PRODUCT SPEC									
0 PLC ± - 1 PLC ± - 2 PLC ± - 3 PLC ± .015 4 PLC ± - ANGLES ± -		APPLICATION SPEC		RESTRICTED TO													
MATERIAL	SEE TABLE	FINISH	SEE TABLE	WEIGHT	-	SIZE	A3	CAGE CODE	00779	DRAWING NO	C-62336	SCALE	8:1	SHEET	1 OF 1	REV	C2
CUSTOMER DRAWING												SCALE 8:1		SHEET 1 OF 1		REV C2	