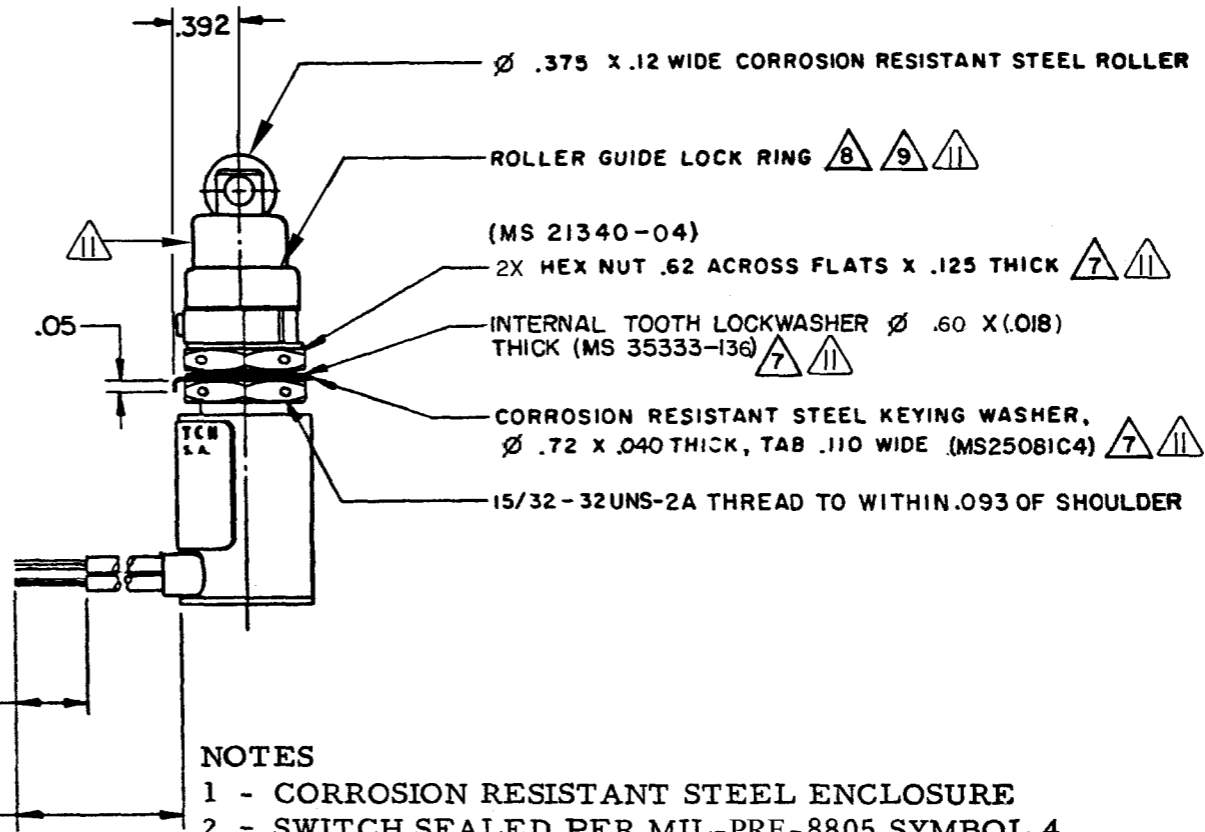
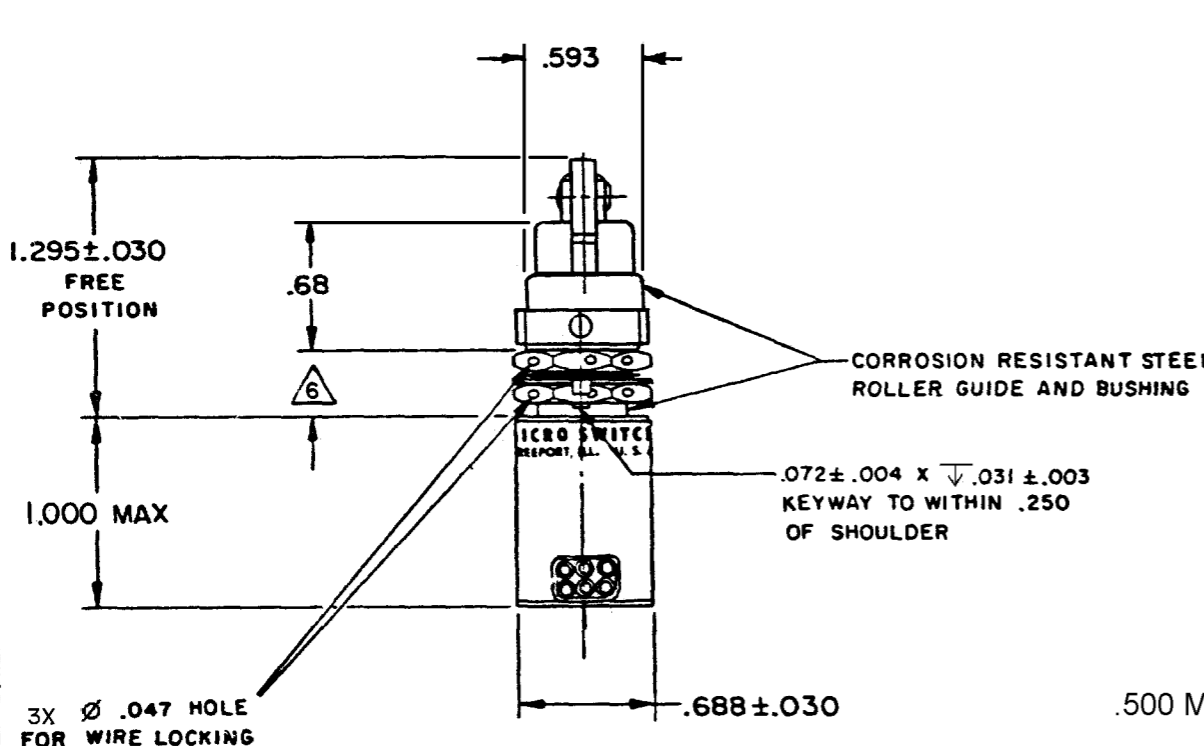
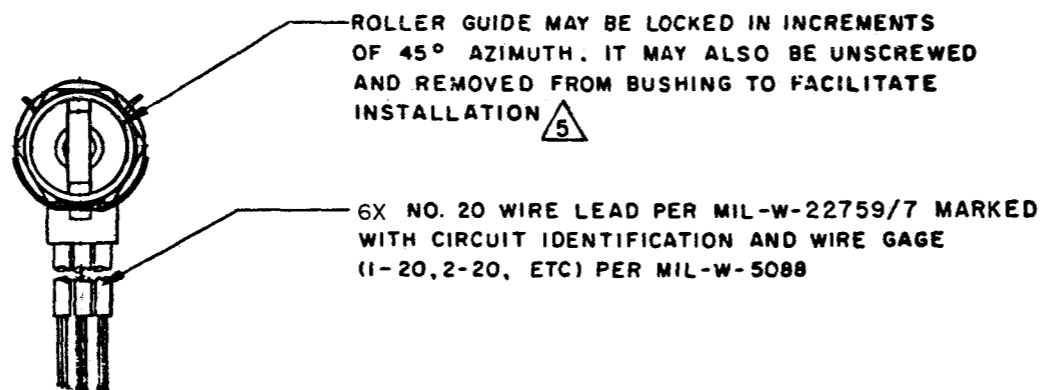
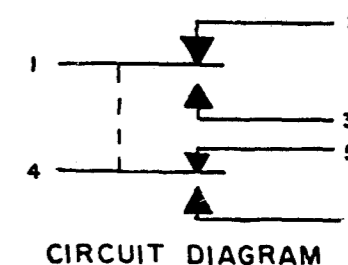


MICRO SWITCH
 FREEPORT, ILLINOIS, U.S.A.
 A DIVISION OF HONEYWELL
 FED. MFG. CODE 91929

SWITCH - ENCLOSED

CATALOG LISTING
622EN1-6
 MILITARY STDS PART NO.
 MS 27240-3



- NOTES**
- 1 - CORROSION RESISTANT STEEL ENCLOSURE
 - 2 - SWITCH SEALED PER MIL-PRF-8805 SYMBOL 4
 - 3 - CIRCUIT DIAGRAM, CATALOG LISTING, AND MILITARY STANDARDS PART NO. MS27240-3 ARE SHOWN ON NAMEPLATE
 - 4 - COINCIDENCE OF OPERATING AND RELEASING POINTS: .010 INCH OF PLUNGER TRAVEL
 - 5 - TO ADJUST ROLLER DIRECTION REMOVE ROLLER GUIDE LOCK RING SCREW ROLLER GUIDE TO DESIRED DIRECTION, SECURE BY REPLACING ROLLER GUIDE LOCK RING
 - 6 - ROLLER GUIDE LOCATION CAN VARY BETWEEN .292 AND .450 WHILE MAINTAINING .125 MIN OVERTRAVEL
 - 7 - REPLACEMENT MOUNTING HARDWARE - PACKET 19PA9
 - 8 - REPLACEMENT ROLLER GUIDE AND LOCKRING - PACKET 15PA105
 - 9 - REPLACEMENT LOCKRING - PACKET 15PA107
 - 10 - APPLICATION INFORMATION ONLY
 - 11 - HARDWARE MAY BE PACKAGED UNASSEMBLED PER MIL-PRF-8805

622EN1-6
 DRAWING NUMBER
 ISSUE 22
 REVISIONS
 A NEW DWG 044635
 10 NOV 78
 B CO 47573 PART 4
 15 AUG 80
 C CO 49806
 D J W 25 SEPT 81
 D CO 57370
 TSK 19 MAY 85
 E CO 79121
 S AD 28 NOV 94
 F CO-84521-A
 D L T 18 APR 97
 G CO 93235
 G J W 16 SEP 98
 H 0028682
 BS 08MAR07
 CHECK 10 NOV 78
 DRAWN RASTER FC-9285 1-A
 T R F 10 NOV 78
 CHECK 27 NOV 78
 PSR 08MAR07
 CHECK 08MAR07
 REPLACES RELEASE NO. SR-11241

ANSI Y14.5M-1982 APPLIES

THIS DRAWING COVERS A PROPRIETARY ITEM AND IS THE PROPERTY OF MICRO SWITCH, A DIVISION OF HONEYWELL. THIS DRAWING IS NOT TO BE COPIED OR USED WITHOUT THE APPROVAL OF MICRO SWITCH.

THIRD ANGLE PROJECTION

SCALE FULL

DO NOT SCALE PRINT

TOLERANCES

APPLY TO DESIGN UNITS. CONVERSIONS ARE ONLY FOR REFERENCE. UNLESS NOTED, TOLERANCES ARE \pm

NO PLACES	DIM.	TOL.	DIM.	TOL.
ONE PLACE	X	1/64	X X	0.01/0.05
TWO PLACES	X, XX	0.001/0.018	X, XX	0.001/0.018
THREE PLACES	X, XX	0.0005/0.008	X, XXX	0.0005/0.013/0.008
ANGLES				

DESIGN UNITS SI METRIC US CUSTOMARY

RAW MATERIAL - COMMERCIAL STANDARD MICRO SWITCH STANDARDS APPLY
 DIMENSIONS ARE TO BE MET BEFORE PROTECTIVE COATINGS ARE APPLIED

WEIGHT .50 LB

CHARACTERISTICS	
OPERATING FORCE	6-12 LB
FULL OVERTRAVEL FORCE	30 LB MAX
RELEASE FORCE	4 LB MIN
PRETRAVEL	.040 MAX
DIFFERENTIAL TRAVEL	.020 MAX
OVERTRAVEL	.125 MIN

ELECTRICAL DATA		
CONTACT ARRANGEMENT		
2X SPDT		
28 VDC		
LOAD	SEA LEVEL	50,000 FT.
RES	7	7
IND	4	2.5
MOTOR	4	4 $\triangle 10$