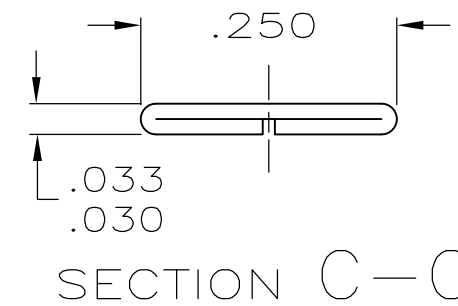
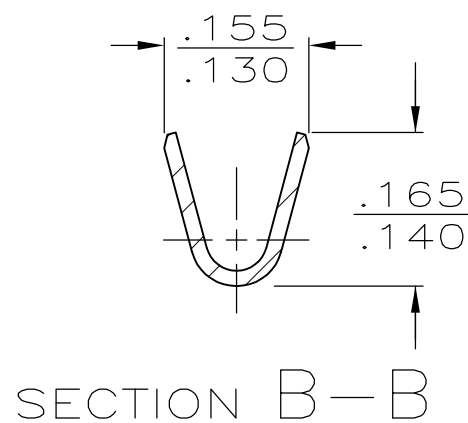
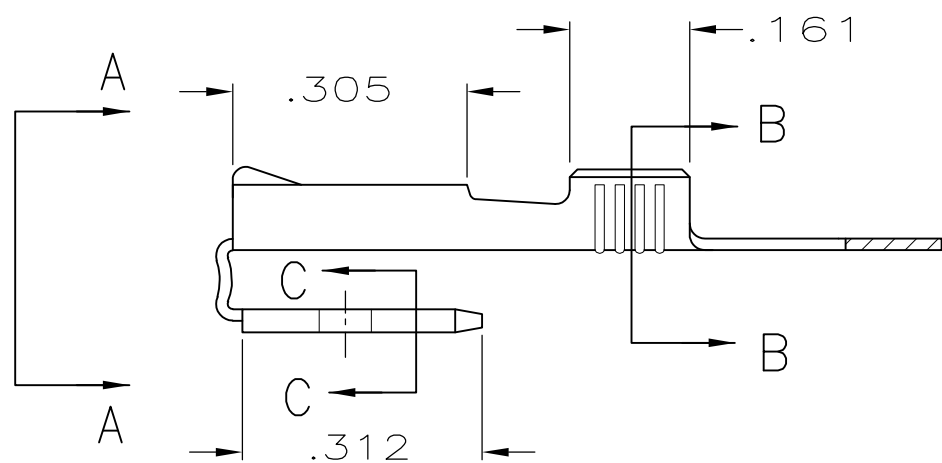
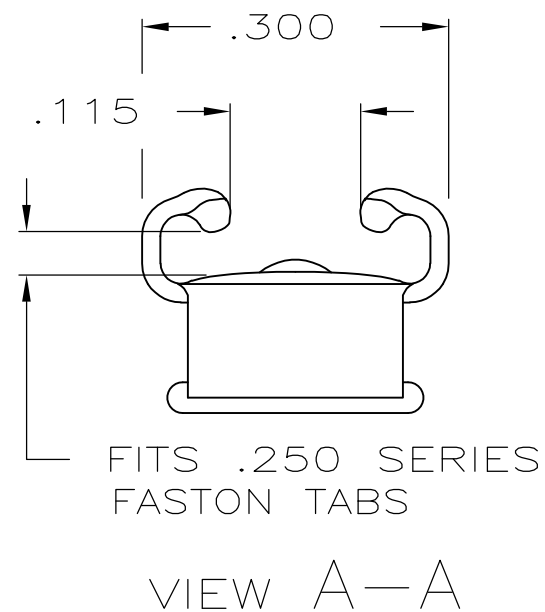
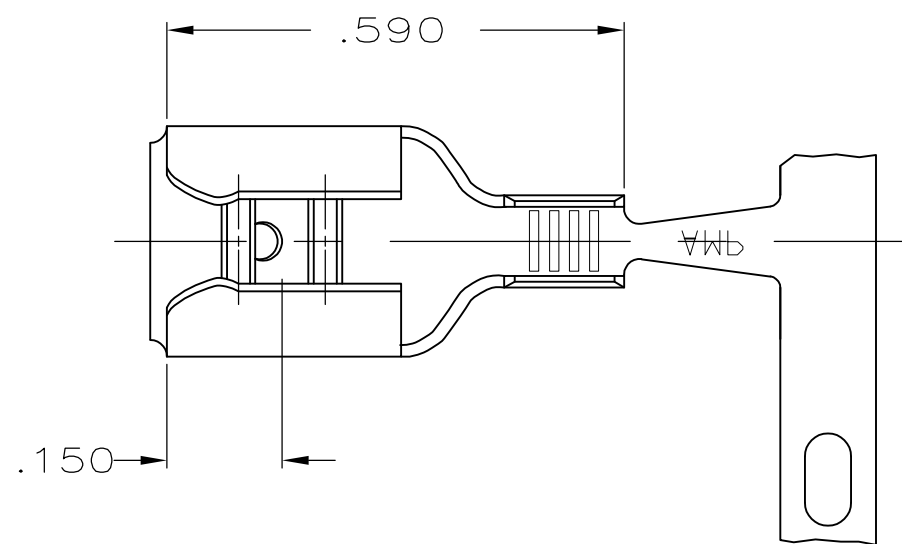


THIS DRAWING IS UNPUBLISHED. RELEASED FOR PUBLICATION
 © COPYRIGHT - BY TYCO ELECTRONICS CORPORATION. ALL RIGHTS RESERVED.

LOC	DIST	REVISIONS			
P	LTR	DESCRIPTION	DATE	DWN	APVD
AF	50	F1	REVISED PER ECR-07-018043	09AUG07	HMR PD

1 CONTINUOUS STRIP ON REELS.



18-14	.032 ±.001	62276-1
WIRE SIZE	TAB THK.	PART NO

THIS DRAWING IS A CONTROLLED DOCUMENT.		DWN	JR RUTH	5/28/86												
DIMENSIONS: INCHES		CHK	G YETTER	5/28/86												
TOLERANCES UNLESS OTHERWISE SPECIFIED:		APVD	C MEYERS	5/28/86												
<table border="1"> <tr><td>0 PLC</td><td>± -</td></tr> <tr><td>1 PLC</td><td>± -</td></tr> <tr><td>2 PLC</td><td>± -</td></tr> <tr><td>3 PLC</td><td>± .015</td></tr> <tr><td>4 PLC</td><td>± -</td></tr> <tr><td>ANGLES</td><td>± -</td></tr> </table>		0 PLC	± -	1 PLC	± -	2 PLC	± -	3 PLC	± .015	4 PLC	± -	ANGLES	± -	PRODUCT SPEC	-	
0 PLC	± -															
1 PLC	± -															
2 PLC	± -															
3 PLC	± .015															
4 PLC	± -															
ANGLES	± -															
MATERIAL		APPLICATION SPEC	114-2082													
.0150 BRASS		WEIGHT	-													
FINISH		PRE-TIN														

Tyco Electronics Corporation Harrisburg, PA 17105-3608		NAME		.250 SERIES FASTON PIGGY-BACK RECEPTACLE	
SIZE	CAGE CODE	DRAWING NO	RESTRICTED TO		
A3	00779	C-62276	-		
CUSTOMER DRAWING		SCALE	SHEET	REV	
		4:1	1 OF 1	F1	