

# 621/622 SERIES



## FEATURES

- Two contact rows with .318" (8.08mm) footprint right-angle bend.
- .109" (2.77mm) contact spacing x .112" (2.82mm) row spacing.
- Plug and receptacle in 9-, 15-, 25- or 37-pin contact sizes.
- Pin and socket contact mating design with PC tail termination.
- Metal shell provides EMI/RFI shielding. Plug shell indents provide grounding and additional mating retention.
- Grounding features include top or bottom ground plates and four-prong boardlock for superior retention to PC board.
- Mounting options for panel mount or connector mating include through-hole, threaded inserts and threaded standoffs.
- D-shaped connector mating outline provides polarization.
- Design based on requirements of MIL-C-24308, EIA RS-232 and RS-449.

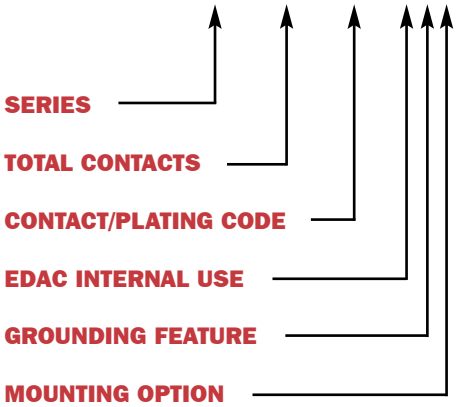
## SPECIFICATIONS

- Insulator Material: Thermoplastic polyester, UL 94V-0; chemical resistant; colour - black.
- Ferrite Specifications: Attenuation - 20dB MIN @ 30Mhz, 30dB MIN @ 50MHz, and 50dB MIN @ 100Mhz.
- Contact Material: Plug contacts - brass; receptacle contacts - phosphor bronze.
- Contact Plating: Gold (see *Ordering Code*) over nickel for the mating area; tin/lead plating on contact tails.
- Shell Material: Nickel-plated steel.
- Current Rating: 5 amperes.
- Contact Resistance: 10 milliohms maximum.
- Dielectric Withstanding Voltage: 1000 V AC rms @ sea level.
- Insulation Resistance: 5000 megohms minimum.
- Operating Temperature: -55° to +125° C
- Engagement & Separation Force: 1 to 10 oz. (0.28 to 2.78 N) per contact position.

## 621/622 SERIES ORDERING CODE

Example:

**621-025-560-013**



|                  |            |
|------------------|------------|
| <b>SERIES</b>    |            |
| <b>621</b> ..... | Plug       |
| <b>622</b> ..... | Receptacle |

|                                 |                        |
|---------------------------------|------------------------|
| <b>TOTAL CONTACTS</b>           |                        |
| <b>009, 015, 025, 037</b> ..... | 50 (machined pin only) |

|                             |                         |
|-----------------------------|-------------------------|
| <b>CONTACT/PLATING CODE</b> |                         |
| <b>260</b> .....            | Gold Flash (Class 3)    |
| <b>560</b> .....            | 10µ" (0.25µm) (Class 2) |
| <b>660</b> .....            | 30µ" (0.76µm) (Class 1) |
| <b>668</b> .....            | Ferrite Filter          |

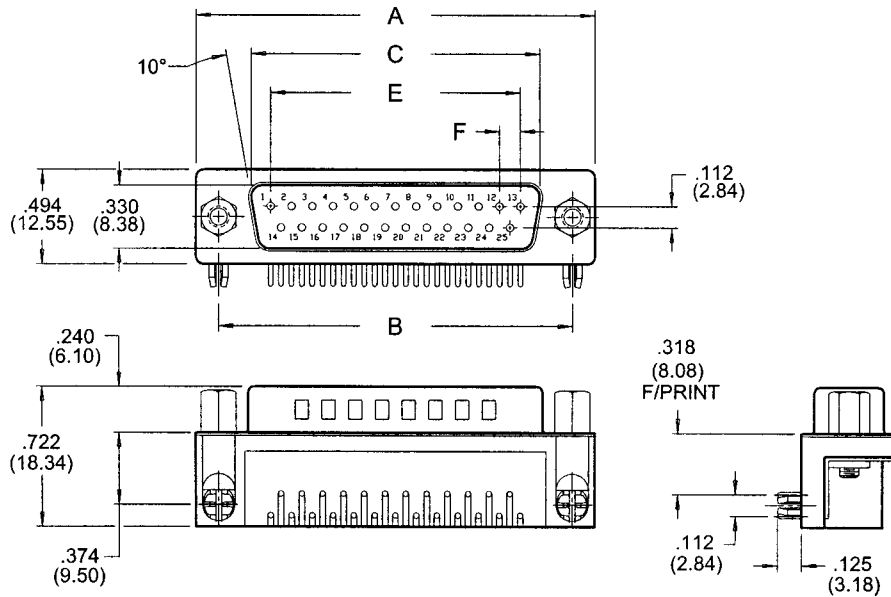
|                          |                                     |
|--------------------------|-------------------------------------|
| <b>EDAC INTERNAL USE</b> |                                     |
| <b>0</b> .....           | Indicates generic internal use code |

|                          |                                                        |
|--------------------------|--------------------------------------------------------|
| <b>GROUNDING FEATURE</b> |                                                        |
| <b>1</b> .....           | .120" (3.05mm) dia. through hole top ground            |
| <b>3</b> .....           | Two-prong boardlocks for .120" (3.05mm) dia. PCB hole  |
| <b>4</b> .....           | Four-prong boardlocks for .120" (3.05mm) dia. PCB hole |

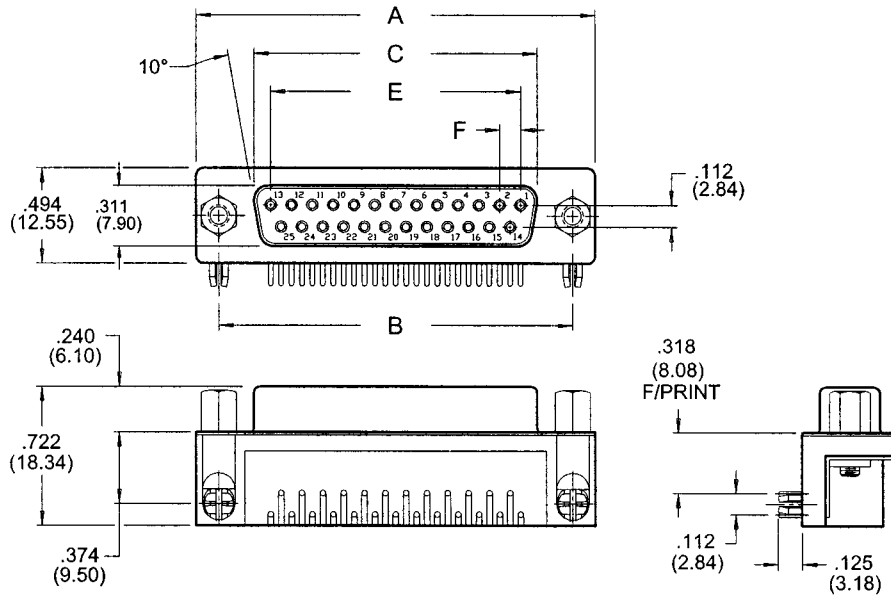
|                        |                                           |
|------------------------|-------------------------------------------|
| <b>MOUNTING OPTION</b> |                                           |
| <b>0</b> .....         | #4-40 UNC fixed standoff                  |
| <b>1</b> .....         | .125" (3.18mm) dia. through-hole          |
| <b>2</b> .....         | #4-40 UNC threaded insert                 |
| <b>3</b> .....         | #4-40 UNC threaded standoff               |
| <b>5</b> .....         | #4-40 UNC threaded standoff & lock washer |

# 621/622 SERIES

## PLUG 621 SERIES



## RECEPTACLE 622 SERIES



| NUMBER OF CONTACTS | A     |         | B     |         | C PLUG |         | C RECEPTACLE |         | E     |         | F    |        |
|--------------------|-------|---------|-------|---------|--------|---------|--------------|---------|-------|---------|------|--------|
|                    | Inch  | (mm)    | Inch  | (mm)    | Inch   | (mm)    | Inch         | (mm)    | Inch  | (mm)    | Inch | (mm)   |
| 9                  | 1.214 | (30.84) | .984  | (24.99) | .667   | (16.92) | .640         | (16.26) | .432  | (10.97) | .108 | (2.74) |
| 15                 | 1.545 | (39.24) | 1.312 | (33.32) | .994   | (25.25) | .967         | (24.56) | .756  | (19.20) | .108 | (2.74) |
| 25                 | 2.088 | (53.04) | 1.852 | (47.04) | 1.534  | (38.96) | 1.508        | (38.30) | 1.304 | (33.12) | .109 | (2.76) |
| 37                 | 2.730 | (69.34) | 2.500 | (63.50) | 2.182  | (53.08) | 2.156        | (54.76) | 1.956 | (49.68) | .109 | (2.76) |

Plug and Receptacle, Right Angle, .318" (8.08mm) Footprint