

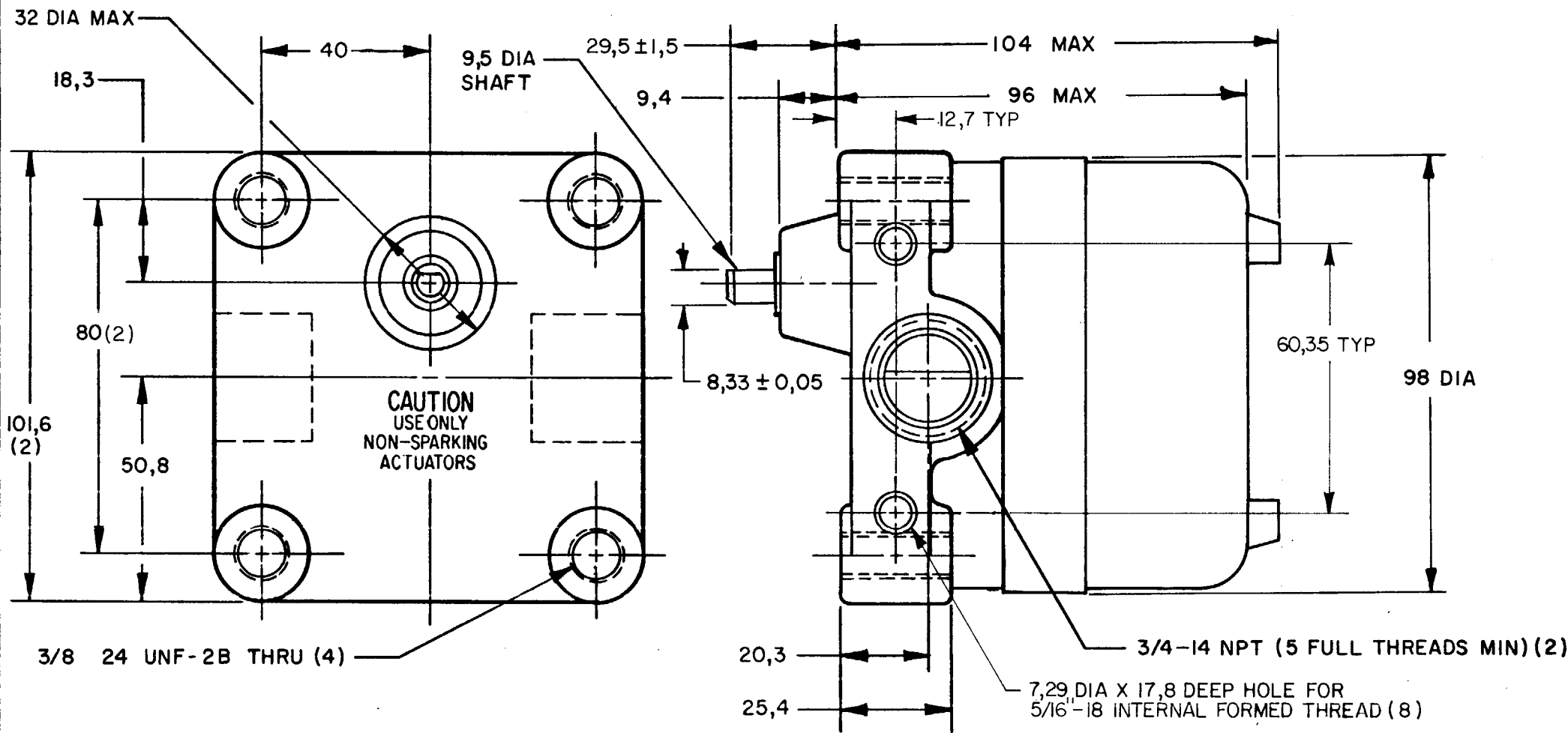
MICRO SWITCH
 FREEPORT ILLINOIS U S A
 A DIVISION OF HONEYWELL
 FED. MFG. CODE 91929

SWITCH-ENCLOSED

CATALOG LISTING
61CX
SERIES CHART 1


CONVERSION CHART	
0,05	.002
7,29	.287
7,92	.312
8,33	.328
8,5	.33
9,4	.37
9,5	.37
12,7	.50
17,8	.70
18,3	.72
20,3	.80
25,4	1.00
29,5±1,5	1.150±.059
32,0	1.26
40,0	1.57
50,8	2.00
60,35	2.38
80,0	3.15
96,0	3.78
98,0	3.86
101,6	4.00
104,0	4.09
0,50 Nm	.369 PF
1,13 Kg	2.49 LB

61CX
 M SERIES CHART 1
 DRAWING NUMBER
 X 8
 ISSUE
 X 8
 REVISIONS
 A CO48504 J A P OCT 80
 B CO53444 WJM JAN 84
 C CO56479 KEW JAN 85
 D CO57575 J A S JUNE 85
 E CO58369 KEW NOV 85
 F CO60823 D J S DEC 86
 G CO61401 DAW APR 87
 19 MAR 80
 GJW



NOTES

- 1 - RAIN TIGHT EXPLOSION PROOF-UNDERWRITERS LAB INC LISTING FOR HAZARDOUS LOCATIONS CLASS I, GROUPS C AND D; CLASS II, GROUPS E, F AND G
- 2 - ALUMINUM ENCLOSURE FINISHED WITH BLACK EPOXY PAINT
- 3 - 6-32 UNC X 7,92 REF PAN HEAD TERMINAL SCREW AND LOCK-WASHER (SEMS TERMI-LOX) (3 PER BASIC)
- 4 - CAMS MAY BE REPOSITIONED IN 7°20' INCREMENTS
- 5 - FOR USE IN TEMPERATURES UP TO 85°C
- 6 - UNIT PROVIDES NO SHAFT RESTORING FORCE, THE ACTUATING DEVICE MUST CONTROL MOVEMENT OF SHAFT

CAT. LIST.	DESCRIPTION	ELECTRICAL DATA
61CX12-D01	2 BASICS: EACH OPERATES CLOCKWISE & COUNTER CLOCKWISE	UL LISTED-FILE E14274 CODE L96 15A-125, 250 OR 480 VAC 1/8 HP-125 VAC; 1/4 HP-250 VAC; 1/2 A-125 VDC; 1/4 A-250 VDC 
61CX11-D01	1 BASIC OPERATES CLOCKWISE & COUNTER CLOCKWISE	

THIS DRAWING COVERS A PROPRIETARY ITEM AND IS THE PROPERTY OF MICRO SWITCH, A DIVISION OF HONEYWELL. THIS DRAWING IS NOT TO BE COPIED OR USED WITHOUT THE APPROVAL OF MICRO SWITCH.		THIRD ANGLE PROJECTION	SCALE 3/4 TO 1																								
CHARACTERISTICS 61CX			DO NOT SCALE PRINT																								
OPERATING FORCE	0,50 Nm MAX	CONTACT ARRANGEMENT S P D T (EACH BASIC)	TOLERANCES APPLY TO DESIGN UNITS. CONVERSIONS ARE ONLY FOR REFERENCE. UNLESS NOTED, TOLERANCES ARE ±																								
PRETRAVEL	15° MAX		<table border="1"> <tr> <th>DIM.</th> <th>TOL.</th> <th>DIM.</th> <th>TOL.</th> </tr> <tr> <td>NO PLACES</td> <td>X</td> <td>1/04</td> <td>X X</td> </tr> <tr> <td>ONE PLACE</td> <td>X,X</td> <td>0,47/016</td> <td>X X</td> </tr> <tr> <td>TWO PLACES</td> <td>X,XX</td> <td>0,157/006</td> <td>X XX</td> </tr> <tr> <td>THREE PLACES</td> <td>X,XXX</td> <td></td> <td>X XXX</td> </tr> <tr> <td>ANGLES</td> <td></td> <td></td> <td></td> </tr> </table>	DIM.	TOL.	DIM.	TOL.	NO PLACES	X	1/04	X X	ONE PLACE	X,X	0,47/016	X X	TWO PLACES	X,XX	0,157/006	X XX	THREE PLACES	X,XXX		X XXX	ANGLES			
DIM.	TOL.	DIM.	TOL.																								
NO PLACES	X	1/04	X X																								
ONE PLACE	X,X	0,47/016	X X																								
TWO PLACES	X,XX	0,157/006	X XX																								
THREE PLACES	X,XXX		X XXX																								
ANGLES																											
DIFFERENTIAL TRAVEL	10° MAX		<table border="1"> <tr> <td>SI METRIC</td> <td>US CUSTOMARY</td> </tr> <tr> <td><input checked="" type="checkbox"/></td> <td><input type="checkbox"/></td> </tr> </table>	SI METRIC	US CUSTOMARY	<input checked="" type="checkbox"/>	<input type="checkbox"/>																				
SI METRIC	US CUSTOMARY																										
<input checked="" type="checkbox"/>	<input type="checkbox"/>																										
OVERTRAVEL	90° MIN		RAW MATERIAL-COMMERCIAL STANDARD MICRO SWITCH STANDARDS APPLY DIMENSIONS ARE TO BE MET BEFORE PROTECTIVE COATINGS ARE APPLIED																								
			WEIGHT 1,13 Kg APPROX																								