

MULTI - PIN MOBILE CONNECTORS

Multipin Mobile Connectors

Although these connectors are generically identified as microphone connectors, they are used in a wide variety of applications which require reliable, economical multi-pin connections, particularly for rugged mobile use. The positive screw-on retaining ring, & built-in strain relief, provide reliable contact under extremes of shock and vibration.

The complete line of mobile connectors is manufactured in Japan. Design, structure and fit reflect the care and precision of which the Japanese are capable. Metal gauges, alloys and plating have been selected to meet the needs of a mobile environment.

To augment the premium line of mobile connectors, we have selected a lower cost source in Taiwan. Although somewhat different in structure than the Japanese versions, the "61" series from Taiwan provides an alternative...reliable well-designed connectors at significantly lower cost.

CORD MOUNTING RIGHT ANGLE FEMALE

- No. T602RA 2 PIN
- No. T609RA 4 PIN
- No. T700RA 8 PIN



SCREW-ON CAP

No. PCP2

Protective closure cap for chassis socket. 3 1/2" chain with eyelet clip for screw mounting.



IN-LINE FEMALE



1-7/16" X 1/2" D, 23/32" D Ret. Ring

MALE CHASSIS SOCKET

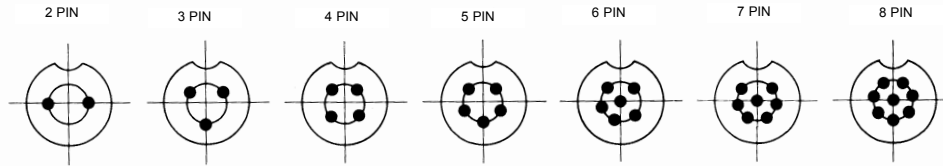


Mounting Hole is 5/8" D

IN-LINE MALE



1-11/16" x 23/32" D



PREMIUM

Made in Japan

- In-Line Female
- Male Chassis Socket
- In-Line Male

	2 PIN	3 PIN	4 PIN	5 PIN	6 PIN	7 PIN	8 PIN
In-Line Female	T602C	T607C	T609C	T612C	T616C	T707	T700
Male Chassis Socket	P602C	P605C	P606C	P612C	P616C	P707	P700
In-Line Male	L602C	L607C	L606C	L505C	L616C	L707	L700

ECONOMY

Made in Taiwan

- In-Line Female
- Male Chassis Socket
- In-Line Male

	2 PIN	3 PIN	4 PIN	5 PIN	6 PIN	7 PIN	8 PIN
In-Line Female	61-602	61-603	61-604	61-605	61-606	61-607	61-608
Male Chassis Socket	61-622	61-623	61-624	61-625	61-626	61-627	61-628
In-Line Male	61-632	61-633	61-634	61-635	61-636	61-637	61-638

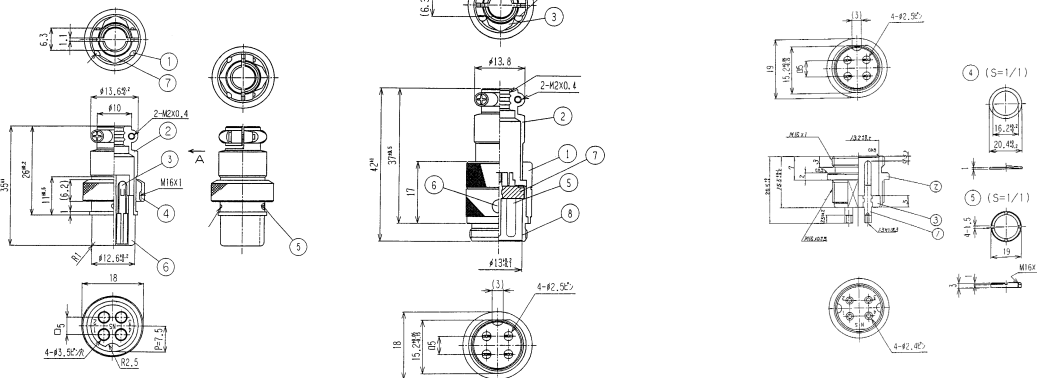
Hardwares: No. TLS-SCREW (Body setscrew), No. TLC-SCREW (Cable clamp screw), No. TL-CLAMP (cable clamp)

T-Series

L-Series

P-Series

- Dielectric AC 1 Min
- Insulation Resistance DC 500V Over 100M ohm
- Contact Resistance Below 5m ohm at DC 1A



NOTE: All connectors on this page are available bulk. Add "B" to part no. when ordering.