

IEC Appliance Inlet C8 polarized, Screw-on Mounting, Front Side, Solder, Quick Connect or PCB Terminal



C8 polarized



70° C



Description

- Panel Mount
- Screw-on mounting , from front side
- Appliance Inlet , Pin temperature 70 °C , Protection class II
- Solder, Quick Connect or PCB Terminal

Approvals

- Approval Reference Type: 2577
- VDE Certificate Number: 40034368
- UL File Number: E96454

Weblinks

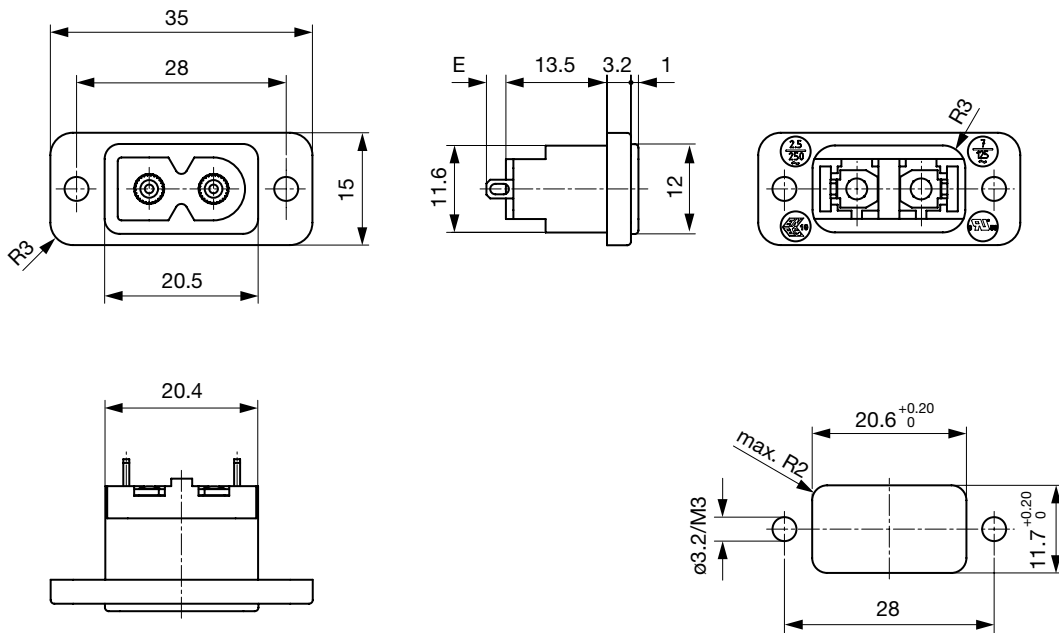
[pdf datasheet](#), [html-datasheet](#), [General Product Information](#), [RoHS](#), [CHINA-RoHS](#), [REACH](#), [Distributor-Stock-Check](#), [Accessories](#), [Detailed request for product](#)

Technical Data

Ratings IEC	2.5 A / 250 VAC; 50 Hz	appliance inlet/-outlet	C8p acc. to IEC 60320-1
Ratings UL/CSA	2.5 A / 250 VAC; 60 Hz		UL 498, CSA C22.2 no. 42 (for cold conditions) pin-temperature 70 °C, 2.5 A, Protection Class II
	7 A / 125 VAC; 60 Hz		
Dielectric Strength	> 1.5 kVAC between L-N > 3 kVAC between L/N-PE (1 min/50 Hz)		
Allowable Operation Temperature	-25 °C to 70 °C		
IP-Protection	from front side IP 20 acc. to IEC 60529		
Insulation cover	Suitable for appliances with protection class II acc. to IEC 61140		
Material: Housing	PA6, black / grey / white, UL 94V-0		

Detailed information on product approvals, code requirements, usage instructions and detailed test conditions can be looked up in [General Product Information](#)

Terminals orientation B



- E: Solder terminals short: 3.6 mm (L=4.8 mm)
- E: Solder terminals long: 7.3 mm (L=8.5 mm)
- E: Quick connect terminals 2.8x0.8 mm: 9.6 mm

Config. Code

2577 - H - A B C 0 - D - E G F

The characters are placeholders for the correspondingly keys of selections from the key tables.

2577 - H - A B C 0 - D - E G F = Type

Type	Configuration key
protection class II	X

2577 - H - A B C 0 - D - E G F = Terminals

Terminal L	Configuration key
short solder terminal (L = 4.8 mm)	2
long solder terminal (L = 8.5 mm)	3
PCB-terminal standard (additional solder terminal)	4
PCB-terminal short (additional solder terminal)	5
PCB-terminal long (additional solder terminal)	6

Terminal L

Blade terminal (2.8 x 0.8 mm)



7

PCB-terminal (standard)



A

PCB-terminal (short)



B

PCB-terminal (long)



C

2577 - H - A B C 0 - D - E G F = Terminals

Terminal N

short solder terminal (L = 4.8 mm)

2

long solder terminal (L = 8.5 mm)

3

PCB-terminal standard (additional solder terminal)

4

PCB-terminal short (additional solder terminal)

5

PCB-terminal long (additional solder terminal)

6

Blade terminal (2.8 x 0.8 mm)

7

Symbols similar as in table A

Terminal N	Configuration key
PCB-terminal (standard)	A
PCB-terminal (short)	B
PCB-terminal (long)	C

Symbols similar as in table A

2577 - H - A B C 0 - D - E G F = Terminals

Terminal Ground	Configuration key
without terminal	0

Symbols similar as in table A

2577 - H - A B C 0 - D - E G F = Color

Color	Configuration key
Black	A
Grey	B
White	D

2577 - H - A B C 0 - D - E G F = Style

Style	Configuration key
flange with countersunk holes	1
flange with through holes	2

2577 - H - A B C 0 - D - E G F = Mass S

Mass "s"	Configuration key
00	

The dimension "S" is displayed in (1/10 mm). This information is also valid for the order code

2577 - H - A B C 0 - D - E G F = Orientation of Terminals

Orientation of Terminals	Configuration key
horizontal	A
vertical	B

All Variants

Terminals L / N	Orientation of Terminals	Color	Style	Config. Code	Order Number
short solder terminal (L = 4.8 mm)	horizontal	Black	flange with through holes	2577-X-2200-A-200A	6160.0101
long solder terminal (L = 8.5 mm)	horizontal	Black	flange with through holes	2577-X-3300-A-200A	6160.0102
PCB-terminal standard (additional solder terminal)	horizontal	Black	flange with through holes	2577-X-4400-A-200A	6160.0103
PCB-terminal (short)	horizontal	Black	flange with through holes	2577-X-BB00-A-200A	6160.0104
PCB-terminal (long)	horizontal	Black	flange with through holes	2577-X-CC00-A-200A	6160.0105
Blade terminal (2.8 x 0.8 mm)	horizontal	Black	flange with through holes	2577-X-7700-A-200A	6160.0106
short solder terminal (L = 4.8 mm)	vertical	Black	flange with through holes	2577-X-2200-A-200B	6160.0143

The listed variants should be available from stock. Other versions on request www.schurter.com/contact

Most Popular.

Availability for all products can be searched real-time: <http://www.schurter.com/en/Stock-Check/Stock-Check-SCHURTER>

Packaging unit 100 Pcs

Mating Outlets/Connectors

Category / Description



Power Supply Cord Overview complete

Cord Sets 2.5 A, North America, Black, 2.5 m, SVT 2x18AWG, IEC C7p, 002500 mm, SVT 2x18 AWG, black

6052.0047

Power Supply Cord further types to 2577