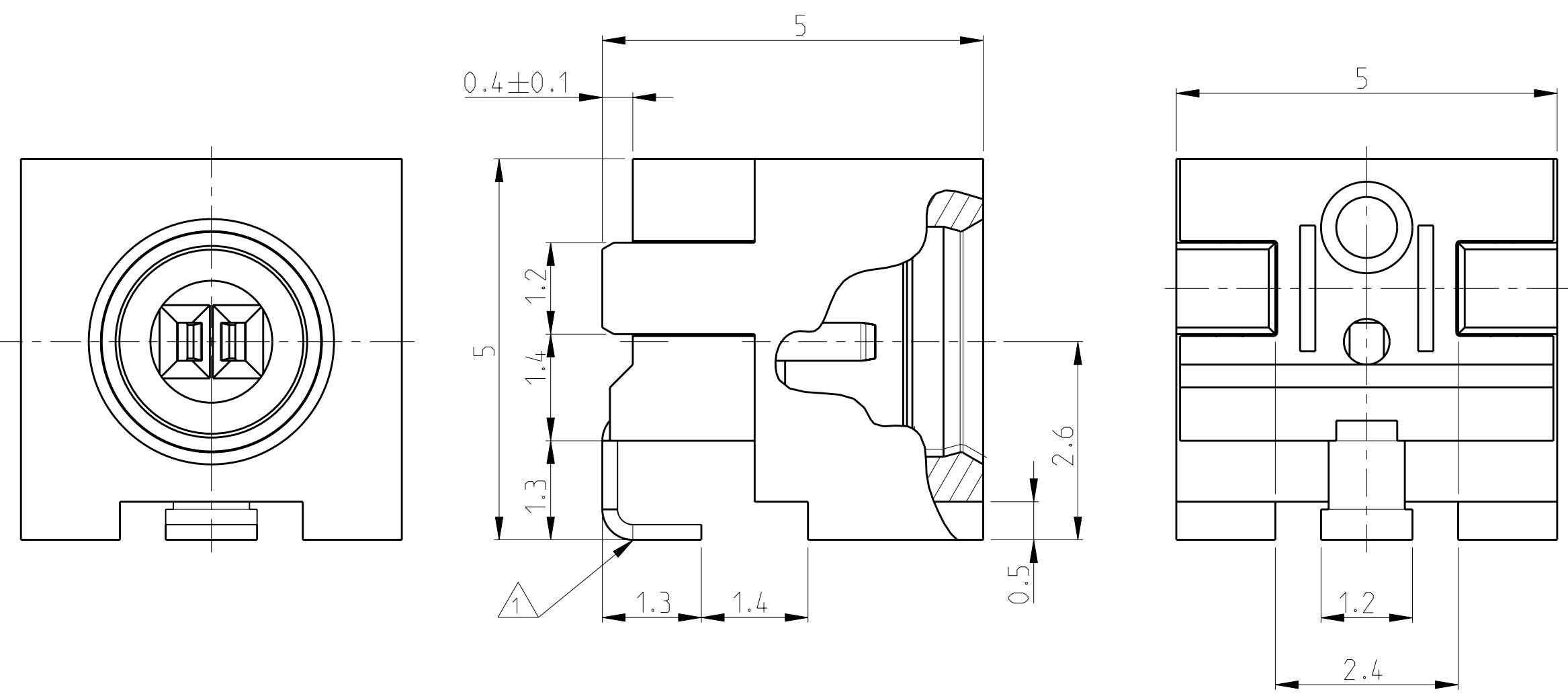
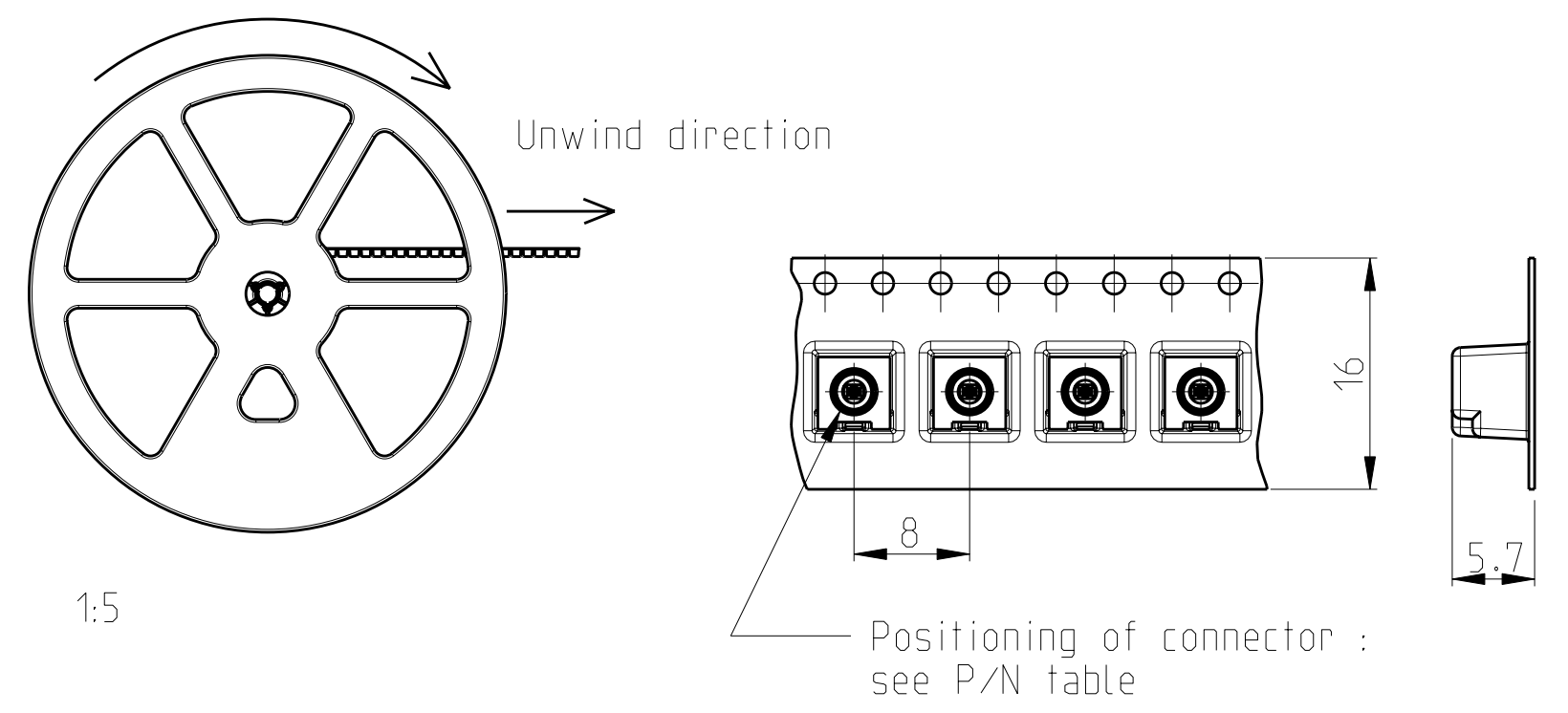


THIS DRAWING IS UNPUBLISHED. RELEASED FOR PUBLICATION
 © COPYRIGHT - BY TYCO ELECTRONICS CORPORATION. ALL RIGHTS RESERVED.

LOC		DIST		REVISIONS			
P	LTR	DESCRIPTION	DATE	DWN	APVD		
	A	Update drawing with new PN RoHS compliant	19.09.06	AM	DB		

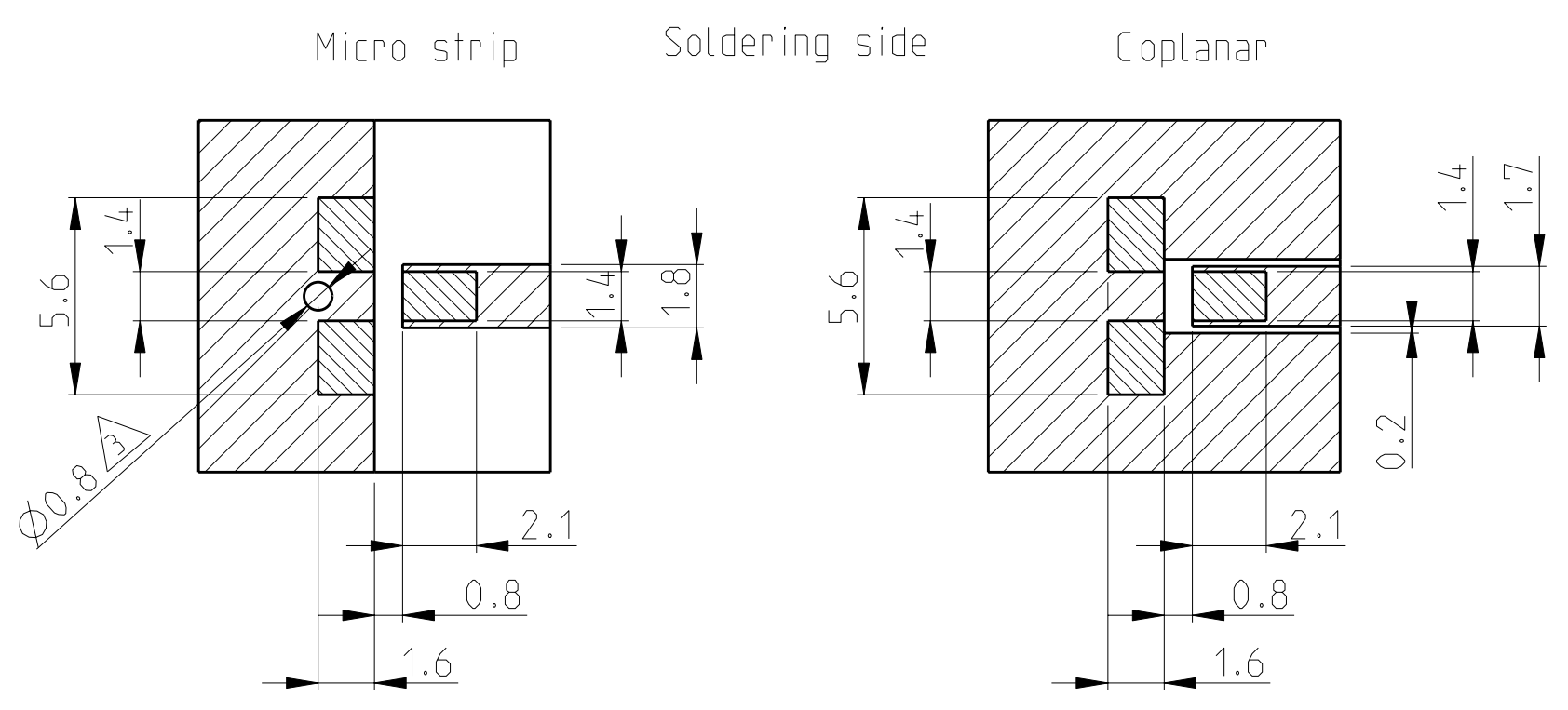


Packaging : Tape on reel
 Reel width : 22.4 mm
 Reel diameter : 330 mm
 Quantity per reel : 1500



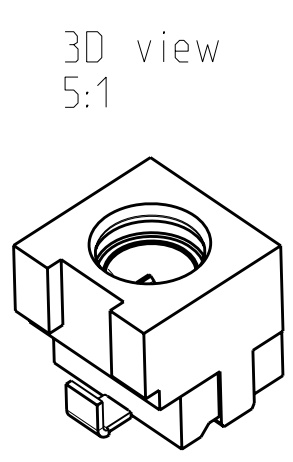
- ① Signal contact solder lead
- ② Partial Sn plating on ①
- 3) Interface dimensions in accordance with CECC22340
- 4) Comply with IEC 60286-3 and EIA-481

Solderpad layout



Bottom side : fully metallised
 Bottom side : no requirements
 Applicable for PCB :
 1 mm thickness and FR4 material
 All tolerances of solder pad layout : ±0.05
 ③ Plated through hole

Tyco part number	Style	Positioning in tape
6-1460820-1 (ROHS Compliant) ②	Straight 	Straight
6-1460820-2 (ROHS Compliant) ②	Right angled 	Right angled



3D view
5:1

1:1

Active part numbers : contact Tyco Electronics for other configuration availability

THIS DRAWING IS A CONTROLLED DOCUMENT FOR TYCO ELECTRONICS CORPORATION IT IS SUBJECT TO CHANGE AND THE CONTROLLING ENGINEERING ORGANIZATION SHOULD BE CONTACTED FOR THE LATEST REVISION.		DWN AH 07OCT2005	tyco Electronics		Tyco Electronics Oostkamp - Belgium
DIMENSIONS: mm		CHK RL 12OCT2005	NAME SMD Jack, series MMCX		
TOLERANCES UNLESS OTHERWISE SPECIFIED: 0 PLC ± 1 PLC ± 2 PLC ± 3 PLC ± 4 PLC ± ANGLES ± FINISH		APVD -	PRODUCT SPEC -	APPLICATION SPEC -	RESTRICTED TO -
MATERIAL -		WEIGHT -	SIZE A2	CAGE CODE 00779	DRAWING NO C-1460820
CUSTOMER DRAWING			SCALE 15:1	SHEET 1 OF 1	REV A