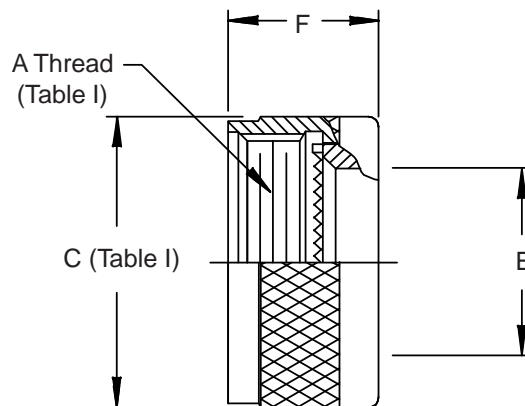
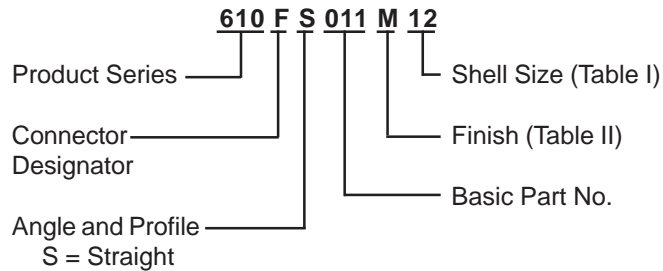


**CONNECTOR  
DESIGNATORS  
A-F-H-L-S  
ROTATABLE  
COUPLING**


See inside back cover fold-out or pages 13 and 14 for Tables I and II.

| TABLE III: CABLE ENTRY |    |       |        |             |
|------------------------|----|-------|--------|-------------|
| Shell Size             |    |       |        |             |
| Conn. Desig.           | H  | E Dia | Ref    | F Max       |
| A-F-L-S                |    |       |        |             |
| 08                     | 09 | .270  | (6.9)  | .710 (18.0) |
| 10                     | 11 | .375  | (9.5)  | .710 (18.0) |
| 12                     | 13 | .511  | (13.0) | .710 (18.0) |
| 14                     | 15 | .585  | (14.9) | .710 (18.0) |
| 16                     | 17 | .710  | (18.0) | .710 (18.0) |
| 18                     | 19 | .789  | (20.0) | .710 (18.0) |
| 20                     | 21 | .914  | (23.2) | .710 (18.0) |
| 22                     | 23 | 1.039 | (26.4) | .710 (18.0) |
| 24                     | 25 | 1.154 | (29.3) | .710 (18.0) |
| 28                     |    | 1.389 | (35.3) | .890 (22.6) |
| 32                     |    | 1.635 | (41.5) | .890 (22.6) |
| 36                     |    | 1.850 | (47.0) | .890 (22.6) |

Metric dimensions (mm) are indicated in parentheses.