



Certifications & Ratings

- RoHS compliant

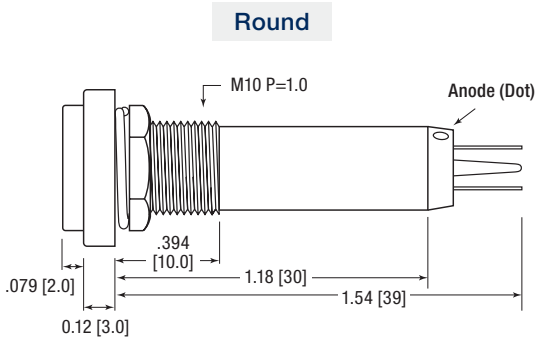
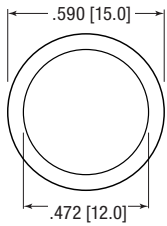
Application

The 610 Series LED Panel Mount Indicators are designed for a variety of applications such as:

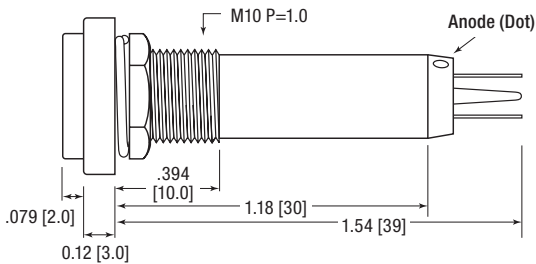
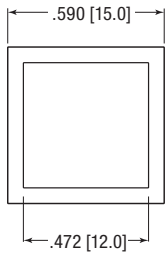
- Main power indication
 - Remote power indication
 - Status indication
 - Maintenance and warning indication
 - Instrumentation
- ... and many more!

Dimensions

inches [mm]



Square



Mechanical Information

Mounting Hole Size: 0.413" (10.5 mm)

Max Panel Thickness: 0.236" (6.0 mm)

Mounting Torque: 0.217 lbs/ft (3 kg/cm)

Specifications

Voltage Options: 6 VDC (no resistor required)

Operating Temp: -25 °C to +85 °C (-13 °F to +185 °F)

Storage Temp: -40 °C to +100 °C (-40 °F to +212 °F)

Electrical Connection: Solder terminals

Housing: Polycarbonate

Terminals: Copper—Nickel Plated

Lock Washer: Iron—Nickel Plated

Nut: Brass—Nickel Plated

Ordering Information 610 Series

| Part Number | Color | Voltage (V DC) | Current (mA) | Intensity Typ. (mcd) | LED Shape |
|---------------|--------|----------------|--------------|----------------------|-----------|
| 610-3132-120F | Red | 6 | 15 | 75 | Round |
| 610-3232-120F | Green | | | 110 | |
| 610-3332-120F | Yellow | | | 60 | |
| 610-4132-120F | Red | | | 75 | Square |
| 610-4232-120F | Green | | | 110 | |
| 610-4332-120F | Yellow | | | 60 | |

Dialight reserves the right to make changes at any time in order to supply the best product possible. The most current version of this document will always be available at: www.dialightsignalsandcomponents.com

Warranty Statement: Except for the warranty expressly provided for [herein/above/below], Dialight disclaims any and all other warranties, express or implied, including, without limitation, any warranties of merchantability, fitness for a particular purpose, title, and noninfringement.

