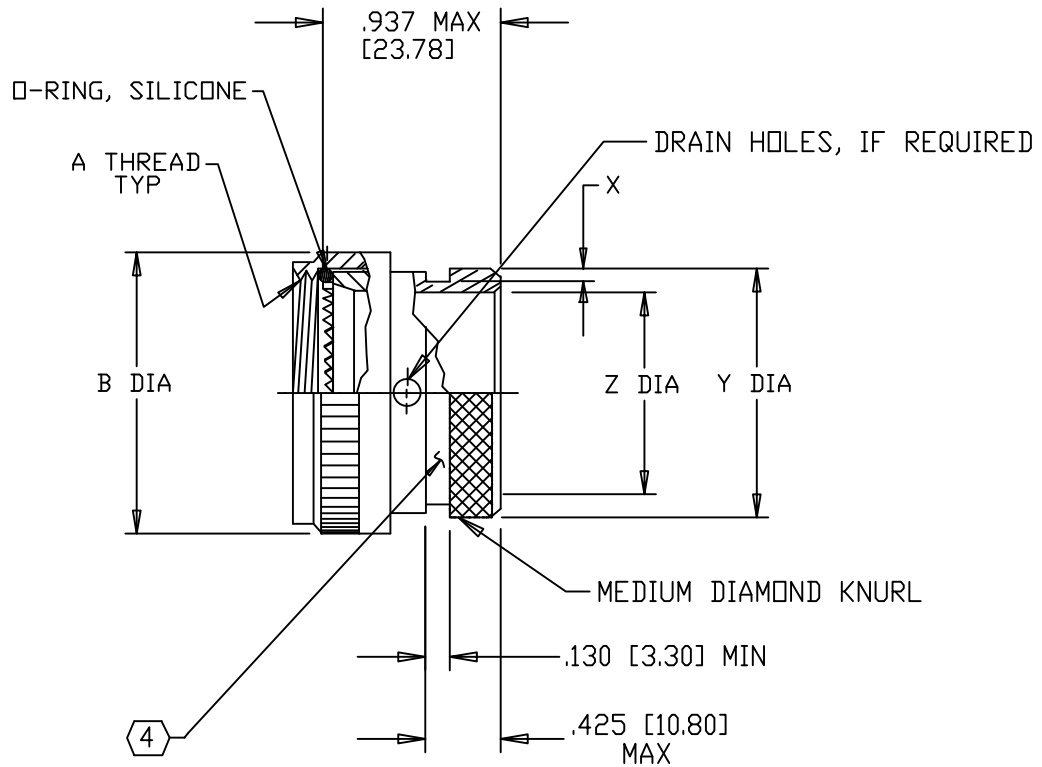


REVISIONS			
LTR	DESCRIPTION	DATE	APPROVED
N	REVISED PER ECO-15-004708	26/03/15	H. SMITH



NOTES:

1. THIS PRODUCT IS DESIGNED TO TERMINATE A HEAT SHRINKABLE LIPPED BOOT TO A CONNECTOR.
2. FOR ADDITIONAL DIMENSIONS, ORDERING INFORMATION AND MODIFICATIONS, SEE CH00-0250-004.
3. ADAPTER TO BE PERMANENTLY MARKED WITH CODE IDENT. NO. AND PART NO. (E.G.: 06090-202M212-19B).
- ④ KNURL INSIDE BOOT GROOVE MAY BE SUPPLIED AT MANUFACTURE'S OPTION.
- ⑤ ADAPTER MATES TO MIL-C-38999 SERIES I & II, CLASS E & T, MS27466, MS27467, MS27468, MS27472, MS27473, MS27474, MS27479, MS27480, MS27481, MS27484, MS27497, MS27652, MS27653, MS27656 CONNECTORS.

CUSTOMER DRAWING

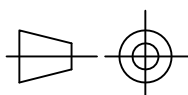
UNLESS OTHERWISE SPECIFIED
DIMENSIONS ARE IN INCHES.
METRIC DIMENSIONS ARE
IN BRACKETS.

DECIMALS
.XXX ± .005 [0.13 mm]
.XX ± .01 [0.25 mm]
.X ± .1 [2.54 mm]

ANGLES
.X ± 1°

DRAWN R. RAMIREZ	DATE 19-03-93
CHECKED	DATE
APPROVED	DATE
REVISED N. NAGAR	DATE 26-03-15
CAD NAME 202M2XX_N.dwg	

THIRD ANGLE
PROJECTION



TITLE			
ADAPTER, SPIN COUPLING CODE 41			

SIZE A	CODE IDENT. NO. 06090	DWG. NO. 202M2XX	REV N
DO NOT SCALE THIS DWG		SHEET 1 OF 2	

BASE PART NUMBER	SHELL SIZE ⑤		A THREAD CLASS 2B	B DIA MAX	X MIN	Y +.000 -.030 [+0.00] [-0.76] DIA	Z MIN
	SER 1	SER 2					
202M208	9	8	.438-28 UNEF	.750 [19.1]	.044 [1.12]	.533 [13.54]	.250 [6.35]
202M210	11	10	.562-24 UNEF	.850 [21.6]	↑	.606 [15.40]	.375 [9.53]
202M212	13	12	.688-24 UNEF	1.000 [25.4]		.775 [19.70]	.500 [12.70]
202M214	15	14	.812-20 UNEF	1.100 [27.9]	↓	.838 [21.30]	.625 [15.88]
202M216	17	16	.938-20 UNEF	1.250 [31.8]		.964 [24.50]	.750 [19.05]
202M218	19	18	1.062-18 UNEF	1.400 [35.6]	.044 [1.12]	1.043 [26.50]	.812 [20.62]
202M220	21	20	1.188-18 UNEF	1.500 [38.1]	.069 [1.75]	1.220 [31.00]	.937 [23.80]
202M222	23	22	1.312-18 UNEF	1.650 [41.9]	.069 [1.75]	1.355 [34.42]	1.062 [26.97]
202M224	25	24	1.438-18 UNEF	1.750 [44.5]	.069 [1.75]	1.443 [36.65]	1.188 [30.18]

SIZE A	CODE IDENT. NO. 06090	DWG. NO. 202M2XX	REV N
DO NOT SCALE THIS DWG		CAD NAME 202M2XX_N.dwg	SHEET 2 OF 2