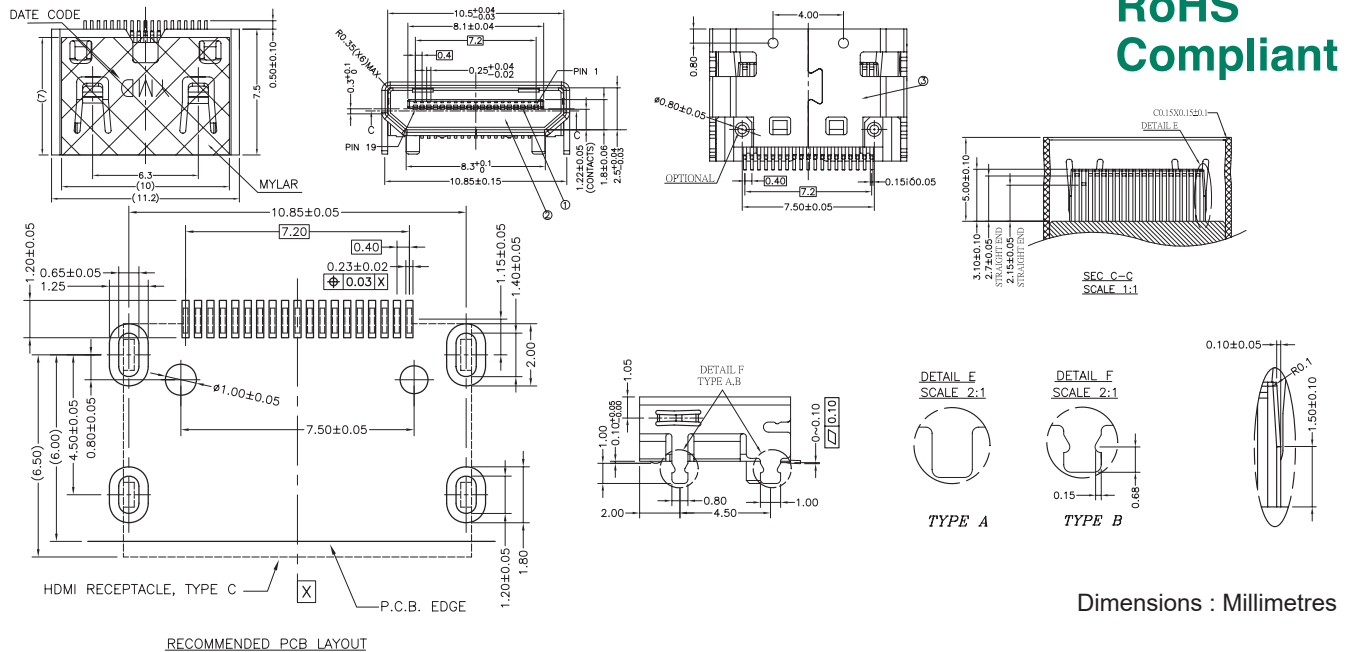


HDMI Receptacle

Type C Pitch 0.4mm SMT Type

multicomp PRO

**RoHS
Compliant**



Specifications:

Operating Current	: 0.5A Max.
Operation Temperature	: -20°C to +80°C
Thermal Shock	: -55°C ±3°C for 30 minutes, 85°C ±3°C For 30 Minutes
Dielectric Withstanding Voltage	: 500 Volts AC Between Adjacent Terminal (Unmate) 300 Volts AC Between Adjacent Terminal (mate)
Insulation Resistance	: 100MΩ min. (unmated); 10MΩ min. (mate)

Item	Part Name	Qty	Material	Finish
1	Contact	1 Set	Brass C2680R-H, T = 0.15	Gold Plated over Nickel
2	Housing	1 Pcs	LCP + 30% G.F.	-
3	Shell	1 Pcs	Brass C2680R-H, T = 0.35	Gold Plated Over Nickel

Note:

1. Mechanical:

Insertion Force	: 4.5 kg Max.
Withdraw Force	: 0.3 kg Max.

2. Electrical:

Contact Current Rating	: 0.5A Min.
Voltage Rating	: 40V AC (RMS)
Dielectric Withstanding Voltage	: 500V AC for 1 minute
Insulation Resistance	: 100MΩ Min.
Contact Resistance	: 30mΩ Max.

3. Environmental:

Operating Temperature	: -20°C to +80°C
Storage Temperature	: -40°C to +85°C

Newark.com/multicomp-pro
Farnell.com/multicomp-pro
Element14.com/multicomp-pro

multicomp PRO

HDMI Receptacle

Type C Pitch 0.4mm SMT Type **multicomp**PRO

Ordering Information

60 U 019 S- 3 * * * - * * - * -*
(1) (2) (3) (4) (5) (6) (7) (8) (9) (10) (11) (12)

1. Series No.

60 : HDMI Connector, Type C

2. Tail Construction Type

U : SMT Type

3. Number of Pin

019 : 19 Positions

4. Contact & Conneting Type

S : Socket

5. Colour Codes:

3 : Black

6. Contact Plating

4 : Gold Flash Plated over 30µ" Nickel Underplating

5 : 15µ" Gold Plated in contact area and Gold flash plated in solder area over 50µ" nickel underplating

6 : 30µ" Gold Plated in contact area and Gold flash plated in solder area over 50µ" nickel underplating

7. Shell Construction

0 : Solder tail is type A and through Hole type

1 : Solder tail is type A and through Hole type

8. Shell Plating

N : Solderable Nickel Plated

L : Au:3µ" Gold Mini all Plated

4 : Gold Flash. All Plating

9. Suffix No. 1

A : With Logo

B : Without Logo

C : Without Logo and with Mylar

10. Suffix No. 2

0 : Housing without Post

1 : Housing with Post

11. Suffix No. 3

* : Customer Code

12. Suffix No. 4

5 : With D/C

Note : Without D/C

Important Notice : This data sheet and its contents (the "Information") belong to the members of the AVNET group of companies (the "Group") or are licensed to it. No licence is granted for the use of it other than for information purposes in connection with the products to which it relates. No licence of any intellectual property rights is granted. The Information is subject to change without notice and replaces all data sheets previously supplied. The Information supplied is believed to be accurate but the Group assumes no responsibility for its accuracy or completeness, any error in or omission from it or for any use made of it. Users of this data sheet should check for themselves the Information and the suitability of the products for their purpose and not make any assumptions based on information included or omitted. Liability for loss or damage resulting from any reliance on the Information or use of it (including liability resulting from negligence or where the Group was aware of the possibility of such loss or damage arising) is excluded. This will not operate to limit or restrict the Group's liability for death or personal injury resulting from its negligence. Multicomp Pro is the registered trademark of Premier Farnell Limited 2019.

Newark.com/multicomp-pro
Farnell.com/multicomp-pro
Element14.com/multicomp-pro

multicompPRO