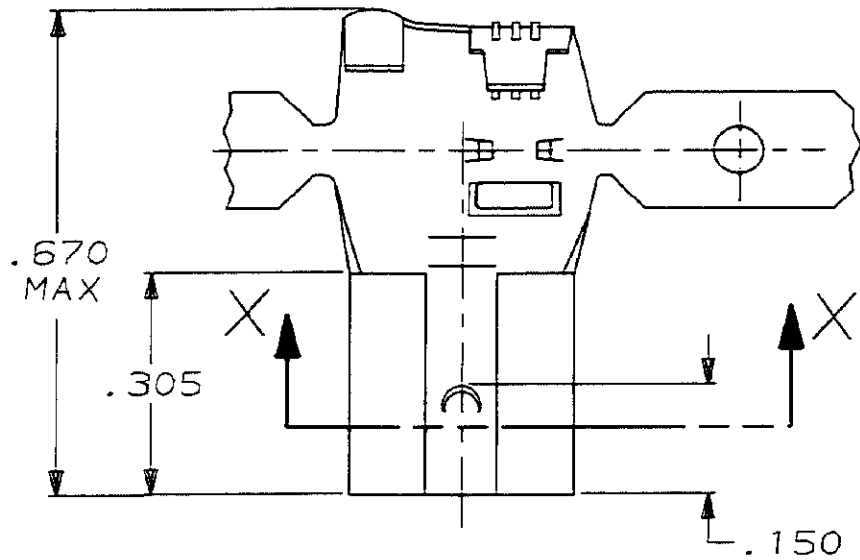


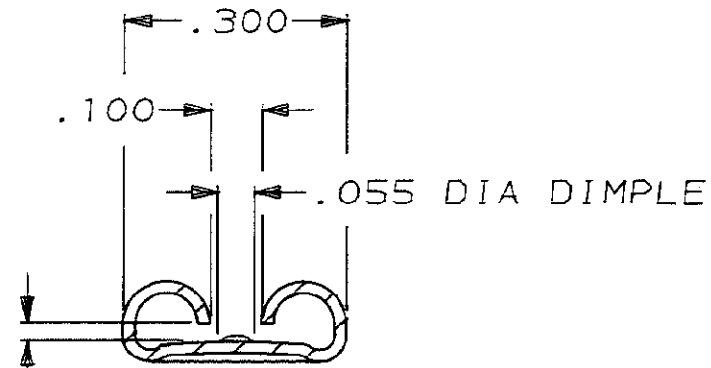
DRAWING MADE IN THIRD ANGLE PROJECTION

THIS DRAWING IS UNPUBLISHED. RELEASED FOR PUBLICATION, 19
 © COPYRIGHT 19 BY AMP INCORPORATED. ALL INTERNATIONAL RIGHTS RESERVED.

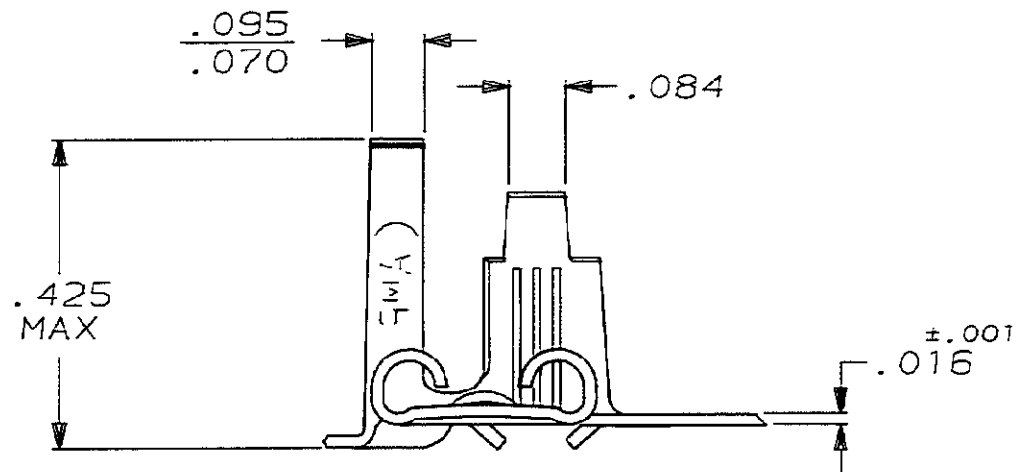
LOC	DIST	P	F	REVISIONS				
				ZONE	LTR	DESCRIPTION	DATE	APPD
AF	50				P	REVISED AF-7659	10/18/91	JR/PF



- 1 CONTINUOUS STRIP ON REELS.
- 2 FEED IS .760±.005.



SECTION X-X



OBSOLETE	TIN .000080 MIN	.110-.210	18-12 AWG	.032	60641-2
	-	.110-.210	18-12 AWG	.032	60641-1
	FINISH	INSULATION RANGE	WIRE SIZE	MATING TAB THK ±.001	PART NO
DO NOT SCALE PRINT. UNLESS SPECIFIED DIMENSIONS ARE IN INCHES. TOLERANCES ON: 2 PLC DEC ± - 3 PLC DEC ± .015 ANGLES ± -		DR 1/24/91 JR RUTH CHK 1/24/91 P FORTNEY	AMP AMP Incorporated Harrisburg, PA 17105-3608		
MATERIAL	4M BRASS	APPD 1/24/91 C MEYERS APPD 1/24/91 D REINER PRODUCT SPEC	NAME RECEPTACLE, FASTON, FLAG, .250 SERIES		
FINISH	SEE TABLE	APPLICATION SPEC	SIZE B	CAGE CODE 00779	DRAWING NO 60641
		WEIGHT -	SCALE 4:1	SHEET 1 OF 1	