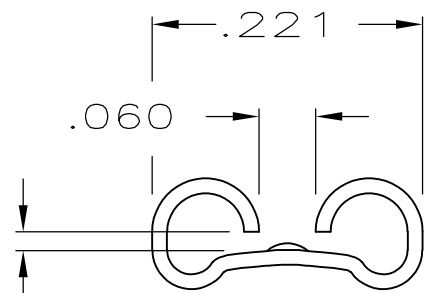
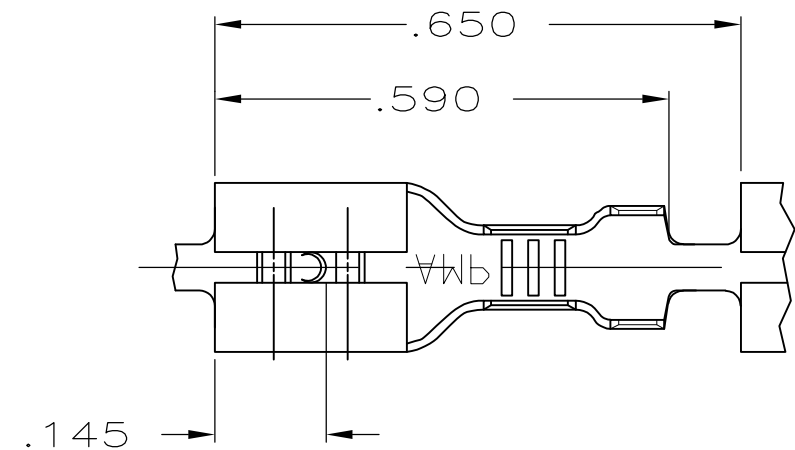


THIS DRAWING IS UNPUBLISHED. RELEASED FOR PUBLICATION  
 © COPYRIGHT - By - ALL RIGHTS RESERVED.  
 THIS DRAWING IS UNPUBLISHED. RELEASED FOR PUBLICATION ,19  
 © COPYRIGHT 1965 BY AMP INCORPORATED, HARRISBURG, PA. ALL INTERNATIONAL RIGHTS RESERVED. AMP PRODUCTS MAY BE COVERED BY U.S. AND FOREIGN PATENTS AND/OR PATENTS PENDING.

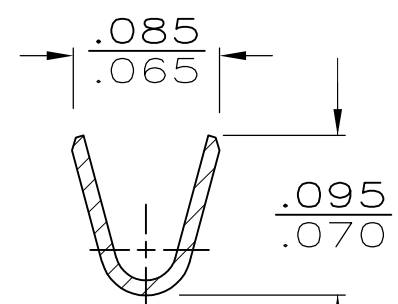
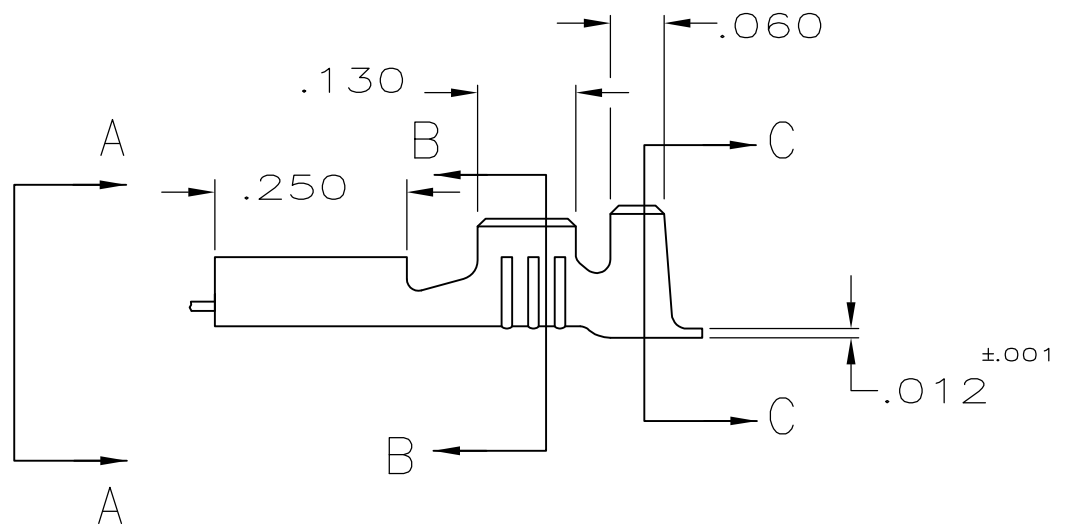
LOC	DIST	REVISIONS					
AF	50	P	LTR	DESCRIPTION	DATE	DWN	APVD
			Z1	REVISED PER ECO-11-004917	11MAR11	RK	HMR

1 - CONTINUOUS STRIP ON REELS.

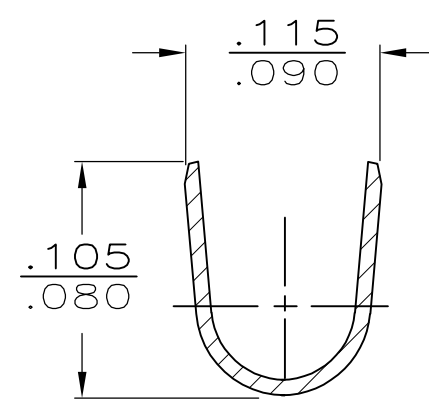


FITS .187 SERIES FASTON TAB

VIEW A-A



SECTION B-B



SECTION C-C

—	#4H BRASS	.040-.070	24-20	.020 ±.001	60573-2
TIN	#4H BRASS	.040-.070	24-20	.020 ±.001	60573-1
FINISH	MATERIAL	INSULATION RANGE	WIRE SIZE	TAB THK.	PART NO

THIS DRAWING IS A CONTROLLED DOCUMENT.		DWN	JR RUTH	10-3-86	<b>STE</b> TE Connectivity												
DIMENSIONS: INCHES		CHK	G YETTER	10/4/86													
TOLERANCES UNLESS OTHERWISE SPECIFIED:		APVD	C MEYERS	10/4/86													
<table border="0"> <tr><td>0 PLC</td><td>± -</td></tr> <tr><td>1 PLC</td><td>± -</td></tr> <tr><td>2 PLC</td><td>± -</td></tr> <tr><td>3 PLC</td><td>± .015</td></tr> <tr><td>4 PLC</td><td>± -</td></tr> <tr><td>ANGLES</td><td>± -</td></tr> </table>		0 PLC	± -	1 PLC		± -	2 PLC	± -	3 PLC	± .015	4 PLC	± -	ANGLES	± -	PRODUCT SPEC		NAME
0 PLC	± -																
1 PLC	± -																
2 PLC	± -																
3 PLC	± .015																
4 PLC	± -																
ANGLES	± -																
MATERIAL: SEE ABOVE		FINISH: SEE ABOVE		APPLICATION SPEC	—												
		WEIGHT	—		RESTRICTED TO	—											
		CUSTOMER DRAWING		SIZE	A3	CAGE CODE	00779	DRAWING NO	C-60573								
				SCALE	NTS	SHEET	1 OF 1	REV	Z1								