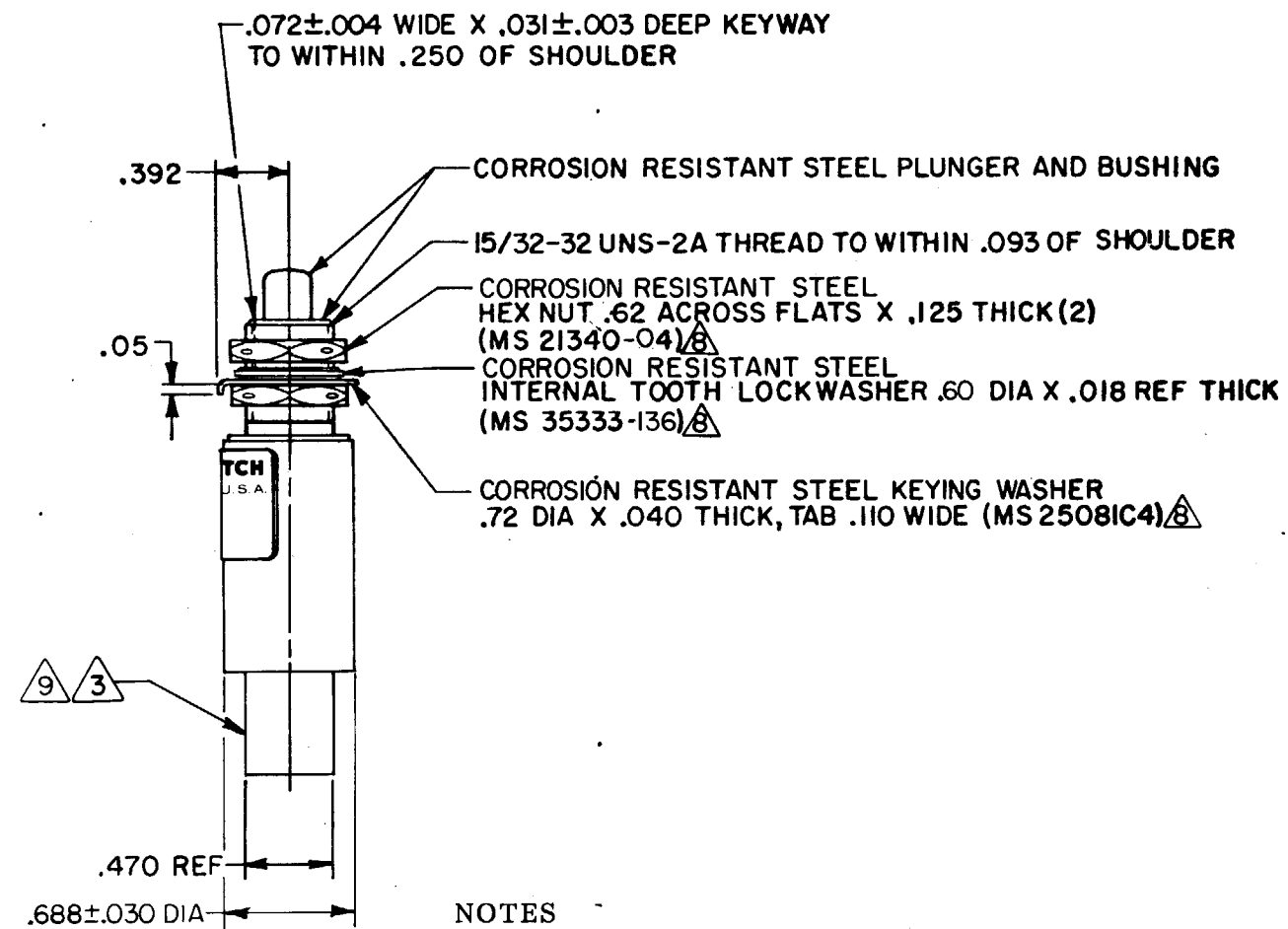
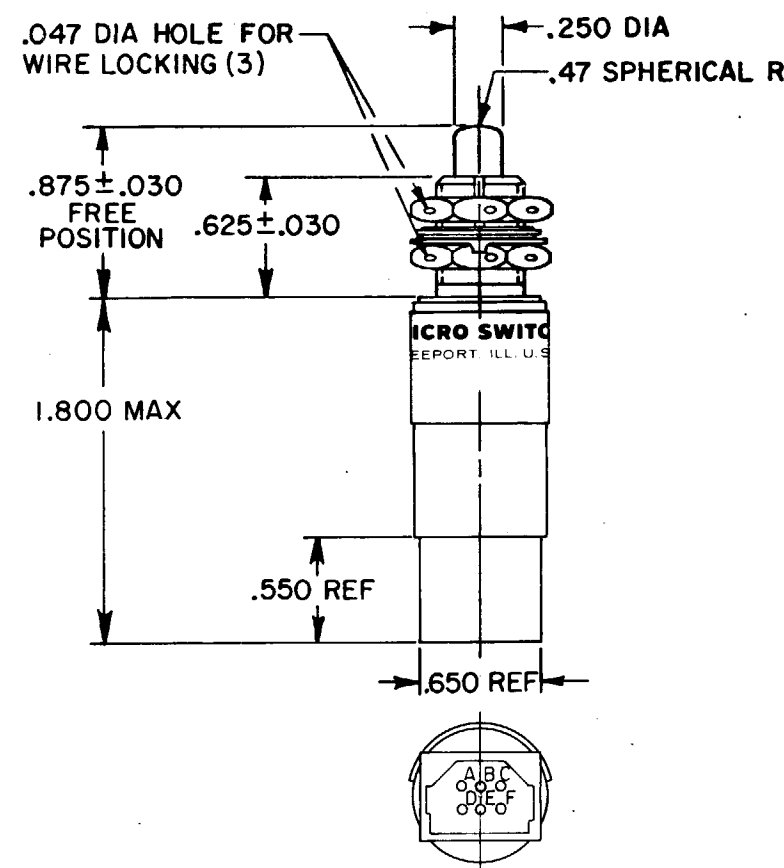
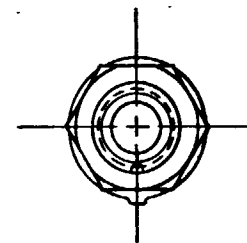
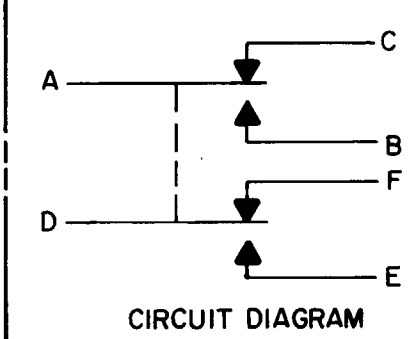


**MICRO SWITCH**  
 FREEPORT ILLINOIS U.S.A.  
 A DIVISION OF HONEYWELL  
 FED. MFG. CODE 91929

**SWITCH-ENCLOSED**

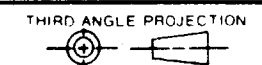
CATALOG LISTING  
**602EN109-RB**



M 602EN109-RB  
 DRAWING NUMBER  
 ISSUE  
 REVISIONS  
 CHECK  
 DRAWN  
 D J W 16 OCT 79  
 CHECK  
 C J F 17 DEC 79  
 FO-52851-A

REV	DATE	BY	CHKD	DESCRIPTION
A	0046749			
	D J W			
	16 OCT 79			
B	0047573			
	J A P			
	7 AUG 80			
C	0049806			
	J A P			
	25 SEPT 81			
D	0052703			
	D J W			
	4 FEB 83			
E	0057370			
	M A M			
	16 MAY 85			
F	0066888			
	D A W			
	31 JAN 90			
G	0075612-B			
	W E S			
	16 AUG 93			

THIS DRAWING COVERS A PROPRIETARY ITEM AND IS THE PROPERTY OF MICRO SWITCH, A DIVISION OF HONEYWELL. THIS DRAWING IS NOT TO BE COPIED OR USED WITHOUT THE APPROVAL OF MICRO SWITCH.



SCALE FULL  
 DO NOT SCALE PRINT

CHARACTERISTICS	
OPERATING FORCE	6-12 LB
FULL OVERTRAVEL FORCE	30 LB MAX
RELEASE FORCE	4 LB MIN
PRETRAVEL	.040 MAX
DIFFERENTIAL TRAVEL	.020 MAX
OVERTRAVEL	.210 MIN

ELECTRICAL DATA		
CONTACT ARRANGEMENT		
SPDT (2)		
28 VDC		
LOAD	SEA LEVEL	50,000 FT.
RES	7	7
IND	4	2.5
MOTOR	4	
LAMP		

TOLERANCES			
APPLY TO DESIGN UNITS. CONVERSIONS ARE ONLY FOR REFERENCE. UNLESS NOTED, TOLERANCES ARE 2			
NO PLACES	DIM.	TOL.	DIM.
ONE PLACE	X	1/64	X X
TWO PLACES	X, XX	0.0018	X X X
THREE PLACES	X, XX, XXX	0.0008	X X X X
ANGLES			

DESIGN UNITS  SI METRIC  US CUSTOMARY

RAW MATERIAL-COMMERCIAL STANDARD  
 MICRO SWITCH STANDARDS APPLY  
 DIMENSIONS ARE TO BE MET BEFORE  
 PROTECTIVE COATINGS ARE APPLIED

WEIGHT 2.0 OZ MAX

- NOTES
- 1 - CORROSION RESISTANT STEEL ENCLOSURE
  - 2 - SWITCH SEALED PER MIL-S-8805 SYMBOL 4
  - 3 - DEUTSCH RECEPTACLE
  - 4 - COINCIDENCE OF OPERATING AND RELEASING POINTS: .010 OF PLUNGER TRAVEL
  - 5 - ELECTRICAL RATINGS APPLY AS SPECIFIED IN MIL-S-8805/43 UP TO 185°F
  - 6 - CIRCUIT DIAGRAM AND CATALOG LISTING ARE SHOWN ON NAMEPLATE
  - 7 - CIRCUIT DIAGRAM - LETTERS ARE ASSOCIATED WITH RECEPTACLE
  - 8 - HARDWARE MAY BE PACKAGED UNASSEMBLED PER MIL-S-8805
  - 9 - CONNECTOR MUST BE PARALLEL WITH CENTERLINE OF BUSHING KEYWAY WITHIN ±6°