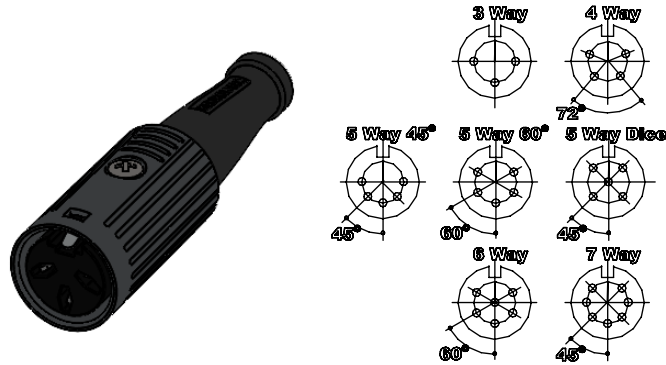


A FULLY SCREENED ROBUST RANGE OF DIN CONNECTORS FOR USE IN INSTRUMENTATION AND AUDIO APPLICATIONS.
 AVAILABLE IN TWO FINISHES BRIGHT NICKEL AND BLACK CHROME
 INCORPORATING CABLE GRIP AND STRAIN RELIEF.
 LINE SOCKET MATES WITH ALL STANDARD AND LOCKABLE DIN PLUGS

MANUFACTURED TO DIN 41524, 45322, 45326, 45327 AND 45329

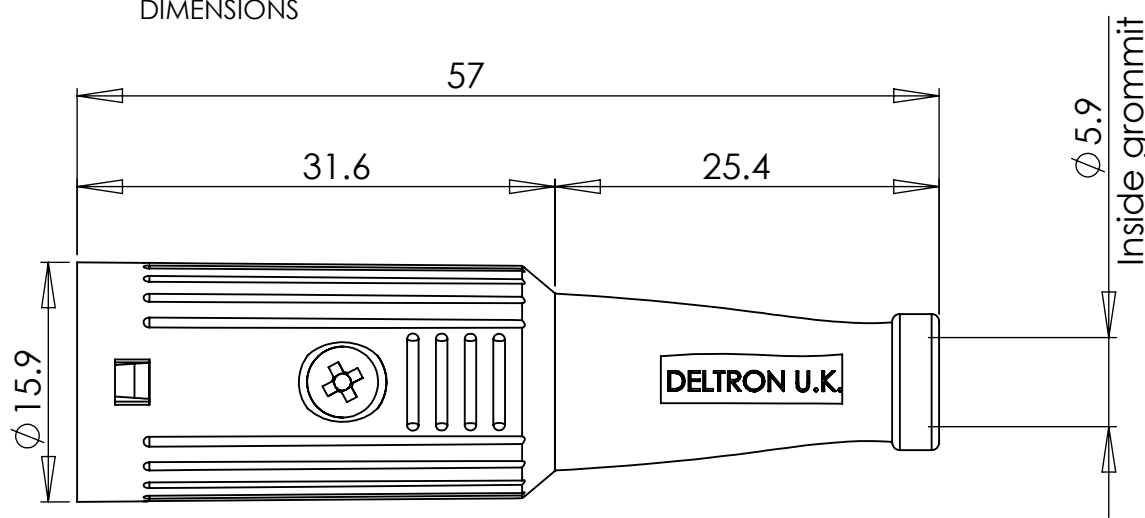


MATERIALS	
HOUSING	ZINC ALLOY
FINISH	BRIGHT NICKEL OR BLACK CHROME PLATE
MOULDING	NYLON
CONTACTS	BRASS BS2874 CZ121, PLATED SILVER & ANTI-TARNISH
CABLE CLAMP	BRASS 7 MILD STEEL, PLATED SILVER & ANTI-TARNISH
GROMMET	PVC BLACK
SCREW	M2.5 x 4 mm STEEL, NICKEL PLATED

ELECTRICAL	
RATED VOLTAGE	34V AC or DC
CURRENT RATING	2 Amp
TEST VOLTAGE	500 V r.m.s
INSULATION RESISTANCE	103 MΩ MIN AT 100 V DC
CONTACT RESISTANCE	10mΩ MAX
CAPACITANCE (MATED)	3pF

CLIMATIC	
CLIMATIC CATEGORY	25/070/21
TEMPERATURE RATING	-25°C TO + 70°C
DAMP HEAT, STEADY STATE	21 DAYS

DIMENSIONS



TYPE	PART NUMBER	
	NICKEL	BLACK
3 WAY	600-0300	601-0300
4 WAY	600-0400	601-0400
5 WAY 45°	600-0500	601-0500
5 WAY 60°	600-0510	601-0510
5 WAY DICE	600-0520	601-0520
6 WAY	600-0600	601-0600
7 WAY	600-0700	601-0700

PROPRIETARY AND CONFIDENTIAL:
 THE INFORMATION CONTAINED IN THIS DRAWING IS THE SOLE PROPERTY OF ALPHA 3 MANUFACTURING. ANY REPRODUCTION IN PART OR AS A WHOLE WITHOUT THE WRITTEN PERMISSION OF ALPHA 3 MANUFACTURING IS PROHIBITED.
 DEM Manufacturing is a division of Alpha 3 Manufacturing LTD
 DEM Manufacturing, Deltron Emcon House, Hargreaves Way, Sawcliffe Ind. Park, Scunthorpe, North Lincolnshire, DN15 8RF, UK

UNLESS OTHERWISE SPECIFIED DIMENSIONS ARE IN MILLIMETRES
 LINEAR & RADIAL TOLERANCE:
GENERAL SPECIFICATION ONLY

IF IN DOUBT ASK! DO NOT SCALE DRAWING!
 FINISH SEE NOTE
 MATERIAL SEE NOTE
 THE FINISHED PRODUCT SHOULD BE CLEAN AND FREE FROM ALL LIQUIDS AND DEBRIS. SURFACES SHOULD BE OF UNIFORM APPEARANCE FREE FROM SHARP EDGES, BURRS AND CORROSION

THIRD ANGLE PROJECTION

AUTHOR	SB	TITLE	GENERAL SPECIFICATION	
EDITOR	DT	FILE	600-601 SERIES.	
APPROVER	PA	PART	SCREENED DIN CONNECTOR	
SHEET 1 OF 1	SCALE 1:1	ISSUE/REV.	004	EDIT DATE 01/04/2021
A4	RELEASED	RELEASE DATE	01/04/2021	