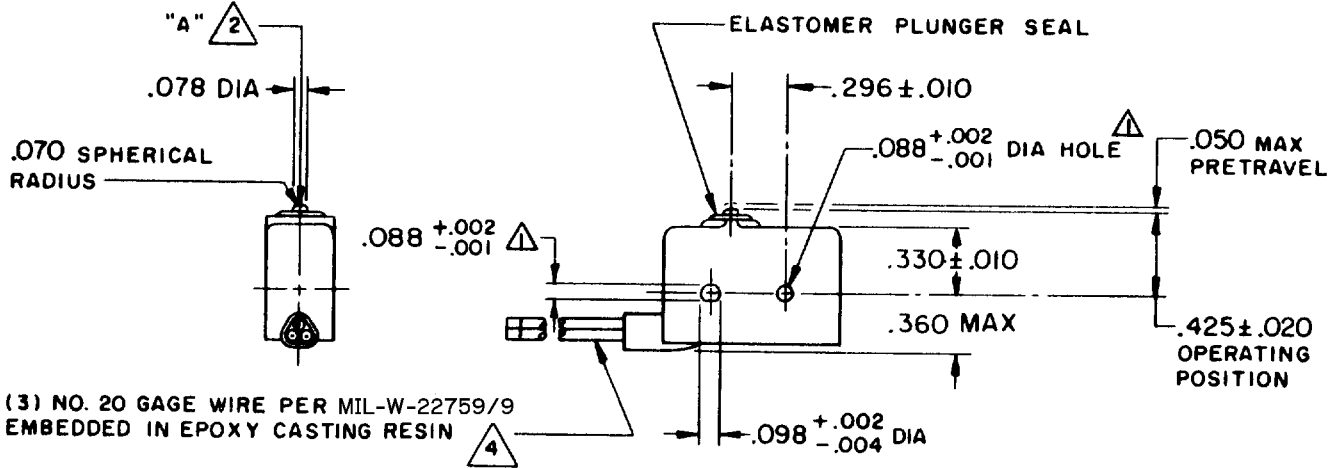
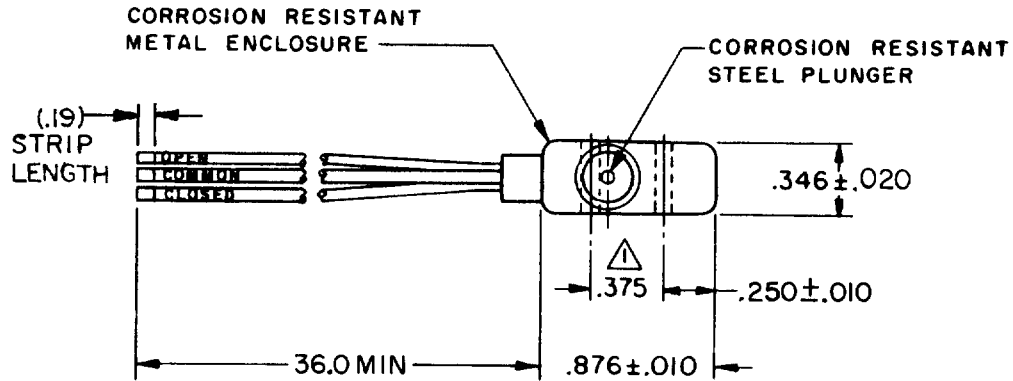


MICRO SWITCH

FREEPORT ILLINOIS, U.S.A
A DIVISION OF HONEYWELL
FED. MFG. CODE 91929

SWITCH - BASIC

CATALOG LISTING
5SE218-3



NOTES

- 1 MOUNTING HOLES WILL ACCEPT PINS OR SCREWS OF .087 MAX DIA ON .375 ± .002 CENTERS
- 2 ACTUATION IN LINE WITH ARROW "A" IS RECOMMENDED
- 3 WEIGHT OF SWITCH ONLY IS .26 OZ MAX. WEIGHT OF SWITCH WITH LEADS IS 1.40 OZ MAX
- 4 WIRE LEADS MARKED WITH CIRCUIT IDENTIFICATION AND WIRE GAGE (CLOSED - 20, OPEN - 20 AND COMMON - 20) PER MIL - W - 5088

THIS DRAWING COVERS A PROPRIETARY ITEM AND IS THE PROPERTY OF MICRO SWITCH, A DIVISION OF HONEYWELL. THIS DRAWING IS NOT TO BE COPIED OR USED WITHOUT THE APPROVAL OF MICRO SWITCH.

CHARACTERISTICS

OPERATING FORCE - - - - - 5 - 17 OZ
RELEASE FORCE - - - - - 4 OZ MIN
RELEASE TRAVEL - - - - - .004 MIN
DIFFERENTIAL TRAVEL - - - - - .004 MAX
OVERTRAVEL - - - - - .003 MIN

ELECTRICAL DATA

CONTACT ARRANGEMENT
S P D T

250 VAC - - - - - 5 AMP
30 VOLTS DC RATING

INDUCTIVE - - - - - SEA LEVEL - - 3 AMP
50,000 FT - - 2.5 AMP
RESISTIVE - - - - - SEA LEVEL - - 5 AMP
50,000 FT - - 5 AMP
MAXIMUM INRUSH - - - - - 24 AMP

SCALE FULL

DO NOT SCALE PRINT

UNLESS OTHERWISE NOTED
DIMENSIONS ARE IN INCHES

TOLERANCES ARE:

ONE PLACE (.0) ± .030
TWO PLACE (.00) ± .015
THREE PLACE (.000) ± .005
ANGLES ± .005

WEIGHT 3

DRAWING NUMBER **5SE218-3**

PAGE 1 OF 1

ISSUE **M**

REVISIONS

A	P ORDER	NOV 70
B	CO-34213	NOV 70
C	PR-6514	NOV 70
D	CO52067	NOV 70
E	CO57041A	NOV 70
F	CO77706	NOV 70
G	CO-94402	NOV 70

REPLACES PR-6514

CHECK

DRAWN

FORMTEK