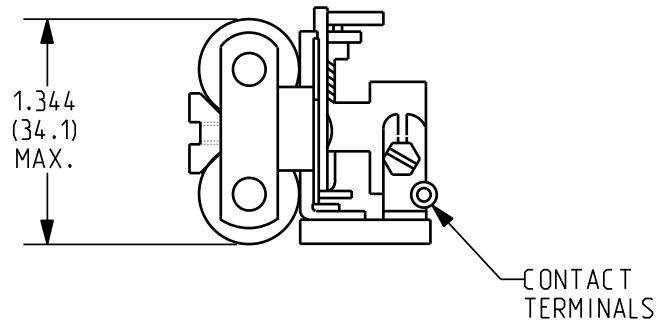
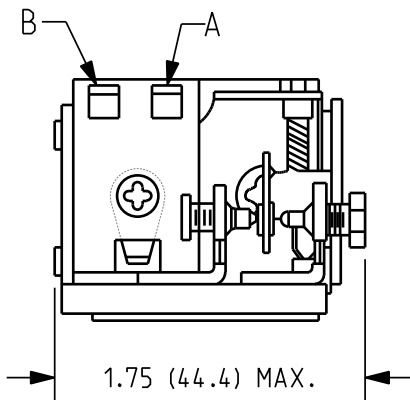


TYPE 5F

WEIGHT: 4 1/4 OUNCES MAXIMUM



REV. A

DCO 91383

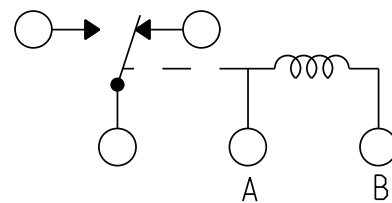
| | |
|-----------------|-----------------|
| COIL: @ 25°C | |
| RESISTANCE | 10000 OHMS ±10% |
| NOMINAL VOLTAGE | ---- |
| MUST OPERATE | .70 maDC MAX. |
| MUST RELEASE | .25 maDC MIN. |

| | |
|--------------|--------------------------|
| ENVIRONMENT: | |
| VIBRATION | 10 Hz TO 40 Hz @ 5 g's |
| SHOCK | --- g's --- MS. DURATION |
| TEMPERATURE | -20 °C TO +70 °C |

NOTES: OPEN RELAY
 SCREW MOUNTING
 5 SOLDER TERMINALS

CUSTOMER DATA SHEET

CONNECTION DIAGRAM



TERMINAL VIEW

CONTACT RATING: 1.0 AMP @ 28 VDC OR 120 VAC RESISTIVE
 10⁵ OPERATIONS

DR. B.D. 16NOV04

CK. B.MEDLING 11/17/04

CII Technologies
 advanced control electronic solutions

CUST. CATALOG
 CUST. NO. REV.

"5F" RELAY

5F-10000S-SIL