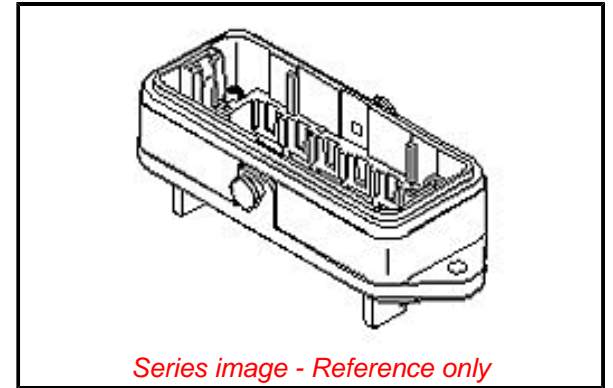


**PLEASE CHECK WWW.MOLEX.COM FOR LATEST PART INFORMATION**

**Part Number:** [0586910010](#)  
**Status:** **Active**  
**Overview:** HMC™ Heavy Duty Rectangular Connectors  
**Description:** HMC™ Rectangular Industrial Panel-Mount Bracket, Multi-Module Type, 36 Circuits, Type A Polarization

**Documents:**

<a href="#">3D Model</a>	<a href="#">Application Specification AS-58696-005-001 (PDF)</a>
<a href="#">Drawing (PDF)</a>	<a href="#">Application Specification AS-58696-006-001 (PDF)</a>
<a href="#">Product Specification PS-58691-004-001 (PDF)</a>	<a href="#">RoHS Certificate of Compliance (PDF)</a>
<a href="#">Application Specification AS-58696-004-001 (PDF)</a>	



**General**

Product Family	I/O Connectors
Series	<a href="#">58691</a>
Application	Panel-Mount
Component Type	Panel-Mount Bracket
Overview	<a href="#">HMC™ Heavy Duty Rectangular Connectors</a>
Product Name	HMC™
Type	N/A
UPC	800753970199

**Physical**

Circuits (Loaded)	36
Circuits (maximum)	36
Durability (mating cycles max)	50
Lock to Mating Part	Yes
Material - Metal	Brass
Material - Plating Mating	Copper
Material - Plating Termination	Copper
Net Weight	83274.500/mg
Orientation	Vertical
Packaging Type	Bag
Panel Mount	Screws
Pitch - Mating Interface	N/A
Plating min - Mating	0.508µm
Plating min - Termination	0.508µm
Polarized to Mating Part	Yes
Temperature Range - Operating	-55°C to +125°C
Termination Interface: Style	Surface Mount
Waterproof / Dustproof	Yes
Waterproof / Dustproof Type	IP65

**Electrical**

Current - Maximum per Contact	12.0A
Voltage - Maximum	250V AC

**Material Info**

**Reference - Drawing Numbers**

Application Specification	AS-58696-004-001, AS-58696-005-001, AS-58696-006-001
Product Specification	PS-58691-004-001
Sales Drawing	SD-58691-002

**EU ELV**

**Not Relevant**

**EU RoHS**

**Compliant with Exemption 6(a)**

**REACH SVHC**

Contained Per -  
ED/108/2014 (17 Dec 2014)

Bis (2-ethylhexyl) phthalate (DEHP)

**Halogen-Free**

**Status**

**Low-Halogen**

**Need more information on product environmental compliance?**

Email [productcompliance@molex.com](mailto:productcompliance@molex.com)  
Please visit the [Contact Us](#) section for any non-product compliance questions.

China ROHS	50 Image
ELV	Not Relevant
RoHS Phthalates	Not Reviewed

**Search Parts in this Series**

[58691](#) Series

**Mates With**

[58687-0010](#) Hood Bracket, [58696](#) Hood

**Use With**

[51201](#) dust Cover, [51192](#) Housing, [51193](#) Housing

**PLEASE CHECK [WWW.MOLEX.COM](http://WWW.MOLEX.COM) FOR LATEST PART INFORMATION**