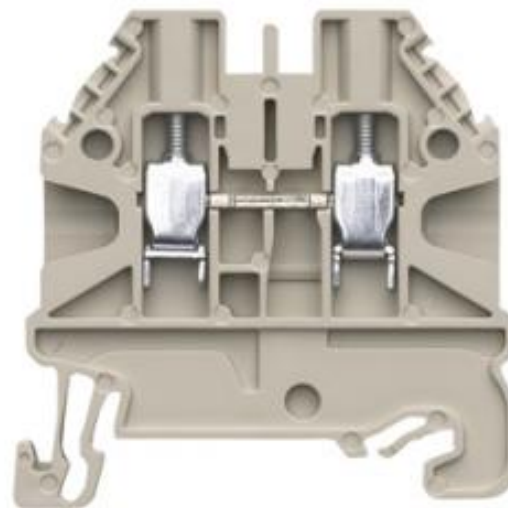


Datasheet

Art.No. 58.503.0055.4

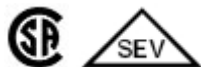
Feed-through terminal WT 2,5 BR

Feed-through DIN rail terminal block with screw connection for mounting on TS 35; nominal cross section 2,5 mm²; width 5 mm; color brown



| | |
|------------|---------------|
| Art.No. | 58.503.0055.4 |
| EAN | 4049088172731 |
| Order unit | 100 pieces |

Approvals



Technical data

General

| | |
|--|-------------------------|
| Nominal cross section | 2.5 mm ² |
| Colour | Brown |
| Number of levels | 1 |
| Number of clamp positions per level | 2 |
| Width/grid dimension | 5 mm |
| Insulating housing | PA666 |
| Inflammability class of insulation material acc. with UL94 | V0 |
| Mounting method | DIN rail (top hat rail) |
| Terminal blocks for electrical installations | Yes |

Technical data

| | |
|-----------------------------|---------------|
| Rated current | 24 A |
| Rated voltage | 1000 V |
| Rated impulse voltage | 8 kV |
| Pollution degree | 3 |
| Closing plate required | Yes |
| Type of insulation material | Thermoplastic |
| Length | 48 mm |
| Width | 5 mm |
| Height | 48 mm |

Connection Data

| | |
|-------------------|------------------|
| Connection type 1 | Screw connection |
|-------------------|------------------|

| | |
|---|----------------------|
| Connection type 2 | Screw connection |
| Minimum cross section solid | 0.14 mm ² |
| Maximum cross section solid | 4 mm ² |
| Minimum cross section fine stranded | 0.14 mm ² |
| Maximum cross section fine stranded | 4 mm ² |
| Maximum conductor cross section (flex., stranded) with cable end sleeve | 0.5 mm ² |
| Maximum conductor cross section (flex., stranded) with cable end sleeve | 2.5 mm ² |
| Wire strip length | 9 mm |
| Torque conductor mounting | 0.4 Nm |

Technical Data UL/CSA

| | |
|------------------------|-----------|
| Cross section UL | 26-12 AWG |
| Voltage UL | 600 V |
| Current factory wiring | 20 A |
| Current field wiring | 20 A |
| Cross section CSA | 26-12 AWG |
| Voltage CSA | 600 V |
| Current CSA | 20 A |

Accessories

| Art.No.: | Type: | Description |
|---------------|---------------------------------------|--|
| 04.344.1455.8 | Warning cover AD WT 2,5 | Cover with warning symbol for DIN rail terminal blocks type WT 2,5, color yellow |
| 07.313.2555.0 | End plate | End plate for DIN rail terminal block type WT 2,5 - WT 10, color gray |
| 07.313.2655.0 | Partition | Partition plate for DIN rail terminal block type WT 2,5 - WT 10, color gray |
| 98.300.0000.0 | Mounting rail 35x27x7,5EN60715 2000MM | Mounting rail TS 35, unslotted, size 7,5 mm, length 2 m, material steel. galv. zinc-plated and dichromated |
| 98.300.1000.0 | Mounting rail 35x27x7,5EN60715 2000MM | Mounting rail TS 35, slotted, size 7,5 mm, length 2 m, material steel. galv. zinc-plated and dichromated |
| 98.300.1900.0 | Mounting rail 35x27x7,5EN60715 2000MM | Mounting rail TS 35, slotted, size 7,5 mm, length 2 m, material steel. galv. zinc-plated and dichromated |
| 98.360.0000.0 | Mounting rail 35x24x15 EN60715 2000MM | Mounting rail TS 35, unslotted, size 15 mm, length 2 m, material steel. galv. zinc-plated and dichromated |
| 98.360.0004.0 | Mounting rail 35x24x15 EN60715 2000MM | Mounting rail TS 35, unslotted, size 15 mm, length 2 m, material steel, hot galvanized |
| 98.370.0000.0 | Mounting rail 35x27x15(EN60715)2000MM | Mounting rail TS 35, unslotted, size 15 mm, length 2 m, material steel. galv. zinc-plated and dichromated |
| 98.370.1000.0 | Mounting rail 35x27x15(EN60715)2000MM | Mounting rail TS 35, slotted, size 15 mm, length 2 m, material steel. galv. zinc-plated and dichromated |
| 98.380.0000.0 | Mounting rail 35x24x15 EN60715 2000MM | Mounting rail TS 35, unslotted, size 15 mm, length 2 m, material E copper |
| Z1.299.9753.0 | Test plug PS WKF/F OB | Test plug for DIN rail terminal blocks fasis - selos - taris |
| Z5.522.7453.0 | End bracket 9708 / S35 | End clamp for mounting rail TS 35 |
| Z5.522.8553.0 | End bracket 9708 / 2 S 35 | End clamp for mounting rail TS 35 |
| Z5.523.5653.0 | End bracket WE 2 / U | End clamp for mounting rail TS 35 and TS 32 |
| Z5.523.5753.0 | End bracket WE 1 / U | End clamp for mounting rail TS 35 and TS 32 |
| Z5.523.9353.0 | End bracket WEF 1 / 35 | End clamp, schraubelos for mounting rail TS 35 |
| Z7.280.6227.0 | Jumper bar IVBWKf 2,5 - 2 | Cross connector, insulated for DIN rail terminal blocks type WKF..., 2 -pole |
| Z7.280.6327.0 | Jumper bar IVBWKf 2,5 - 3 | Cross connector, insulated for DIN rail terminal blocks type WKF..., 3 -pole |
| Z7.280.6427.0 | Jumper bar IVBWKf 2,5 - 4 | Cross connector, insulated for DIN rail terminal blocks type WKF..., 4 -pole |

| | | |
|---------------|----------------------------|---|
| Z7.280.6527.0 | Jumper bar IVBWKf 2,5 - 5 | Cross connector, insulated for DIN rail terminal blocks type WKf..., 5 -pole |
| Z7.280.6627.0 | Jumper bar IVBWKf 2,5 - 6 | Cross connector, insulated for DIN rail terminal blocks type WKf..., 6 -pole |
| Z7.280.6727.0 | Jumper bar IVBWKf 2,5 - 7 | Cross connector, insulated for DIN rail terminal blocks type WKf..., 7 -pole |
| Z7.280.6827.0 | Jumper bar IVBWKf 2,5 - 8 | Cross connector, insulated for DIN rail terminal blocks type WKf..., 8 -pole |
| Z7.280.6927.0 | Jumper bar IVBWKf 2,5 - 9 | Cross connector, insulated for DIN rail terminal blocks type WKf..., 9 -pole |
| Z7.280.7027.0 | Jumper bar IVBWKf 2,5 - 10 | Cross connector, insulated for DIN rail terminal blocks type WKf..., 10 -pole |

Drawings

