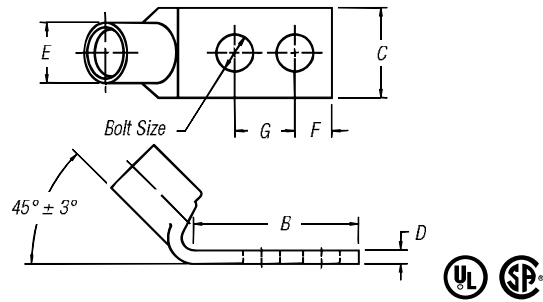


Compression Connectors for Copper Conductor

Two-Hole Lugs — 45° Standard Barrel 600V to 35kV

Material: High-Conductivity
Wrought Copper
Finish: Electro Tin Plate



CAT. NO.	WIRE SIZE			DIMENSIONS (IN.)							DIE CODE	DIE COLOR
	CODE	FLEX CLASS G, H, I, K, M†	BOLT SIZE	B	C	D	E	F	G			
56-31426-9	#14-10 AWG		#10	1.22	.37	.05	2.00	¼	¾	N/A	N/A	
54204UF	#8 AWG #7 LS	23 Navy #8 Weld 37/24 = 14.9 kcmil	#10	1.18	.42	.08	.26	¼	¾	21	RED	
256-30695-1183UF		30 Navy, #6 Weld	#10	1.19	.44	.08	.30	½	¾-¾	24	BLUE	
54205UF	#6 AWG	61/24 = 24.6 kcmil	¼	1.28	.44	.08	.30	¼	¾	24		
54205UF0416		133/.014, #5 Weld	¼	1.56	.43	.08	.30	¼	1	24	GRAY	
54206UF	#4 AWG	40-50 Navy, #4 Weld #5, 91/24 = 36.7 kcmil 133/.0177, 49/.029	¼	1.28	.52	.10	.37	¼	¾	29		
54207UF	#3 AWG	60 Navy, #3 Flex	¼	1.28	.59	.11	.41	¼	¾	33	BROWN	
256-30695-257UF	#2 AWG	125/24 = 50.4 kcmil 75 Navy, #2 Weld	¾	1.81	.60	.11	.41	¾	1	33		
54208UF	#1 AWG	150/24 = 60.5 kcmil 175/24 = 70.6 kcmil, 133/.0223	¼	1.28	.68	.11	.47	¼	¾	37	GREEN	
54209UF		100 Navy #1 Weld	¾	1.93	.75	.13	.52	¾	1	42		
54209UF0412	1/0 AWG	225/24 = 90.8 kcmil 133/.0254	¼	1.55	.75	.13	.52	¼	¾	42	PINK	
54261UF		125 Navy, 1/0 Weld	⅙	1.63	.83	.14	.57	½	¾	45		
54210UF	2/0 AWG	275/24 = 111 kcmil	¾	1.93	.83	.13	.57	¾	1	45	BLACK	
54260UF		133/.0282	½	2.81	.83	.14	.57	¾	1¼	45		
54266UF		150 Navy, 2/0 Weld	⅙	1.75	.94	.14	.63	½	1	50	ORANGE	
54211UF	3/0 AWG	325/24 = 131 kcmil 133/.0316	¾	1.81	.94	.14	.63	¾	1	50		
54265UF		259/.0227 427/.0177	½	2.81	.94	.14	.63	½	1¼	50		
54212UF		200 Navy 3/0 Weld	¾	1.93	1.03	.14	.70	¾	1	54	PURPLE	
54270UF	4/0 AWG	450/24 = 182 kcmil 703/.0154	½	3.00	1.03	.14	.70	½	1¼	54		
54213UF		250 Navy	¾	1.93	1.13	.14	.77	¾	1	62	YELLOW	
54275UF	250 kcmil	4/0 Weld	½	2.81	1.13	.18	.77	½	1¼	62		
256-30695-399UF		550/24 = 222 kcmil	¾	2.80	1.25	.15	.79	¾	1	62	YELLOW	
58265UF		133/.0399, 259/.0286 637/.018	½	2.81	.94	.14	.79	½	1¼	62		

† Contact Technical Services for specific stranding listings

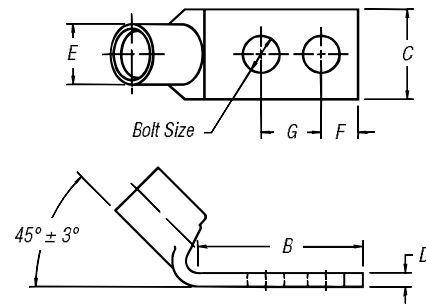
Tooling: pp. F-80-F-100 Die Selector Chart: pp. F-101-F-104

Connectors & Grounding — Blackburn[®] Compression Connectors Featuring the Color-Keyed[®] System

Compression Connectors for Copper Conductor

Two-Hole Lugs — 45° Standard Barrel 600V to 35kV (continued)

Material: High-Conductivity Wrought Copper
Finish: Electro Tin Plate



CAT. NO.	CODE	WIRE SIZE		DIMENSIONS (IN.)							DIE CODE	DIE COLOR
		FLEX CLASS G, H, I, K, M†	BOLT SIZE	B	C	D	E	F	G			
54214UF	300 kcmil	262, 350/24, 250 Weld	3/8	1.93	1.25	.15	.85	3/8	1	66	WHITE	
54280UF		300 Navy	1/2	3.00	1.25	.15	.85	1/2	1 1/4	66	WHITE	
54215UF	350 kcmil	350 Navy	3/8	1.93	1.36	.18	.93	3/8	1	71	RED	
54282UF		350 Navy	1/2	3.00	1.36	.18	.93	1/2	1 1/4	71	RED	
54216UF	400 kcmil	400 Navy, 313	3/8	1.93	1.41	.17	.96	3/8	1	76	BLUE	
54283UF		775/24, 300 Weld	3/8	1.93	1.41	.17	.96	3/8	1 1/8	76	BLUE	
58277UF		400 Weld 925/24 = 373 kcmil 259/.0393, 427/.0306	1/2	3.00	1.61	.22	1.04	1/2	1 1/4	80	N/A	
54218UF	500 kcmil	500 Navy	3/8	1.93	1.61	.22	1.10	3/8	1	87	BROWN	
54286UF		500 Navy	1/2	3.00	1.61	.22	1.10	1/2	1 1/4	87	BROWN	
54220UF	600 kcmil	450 Flex I, K	3/8	1.93	1.75	.24	1.20	3/8	1	94	GREEN	
54289UF		1100/24 = 444 kcmil	1/2	3.00	1.75	.24	1.20	1/2	1 1/4	94	GREEN	
54291UF	700 kcmil	500 Flex	1/2	3.00	1.84	.23	1.25	1/2	1 1/4	99	PINK	
58281UF		500 Flex	1/2	3.00	1.8	.28	1.25	1/2	1 1/4	99	PINK	
54223UF0616	750 kcmil	1325/24 535	3/8	2.80	1.94	.27	1.33	3/8	1	106	BLACK	
54223UF		600, 427 Str.	1/2	3.00	1.94	.27	1.33	1/2	1 1/4	106	BLACK	
54224UF	800 kcmil	800 Navy	1/2	3.00	2.01	.27	1.38	1/2	1 1/4	106	BLACK	
54226UF		1925/24 = 777 kcmil	1/2	3.00	2.18	.31	1.50	1/2	1 1/4	115	YELLOW	
54228UF	1000 kcmil	1000 Navy	1/2	3.00	2.27	.30	1.55	1/2	1 1/4	125	N/A	

† Contact Technical Services for specific stranding listings

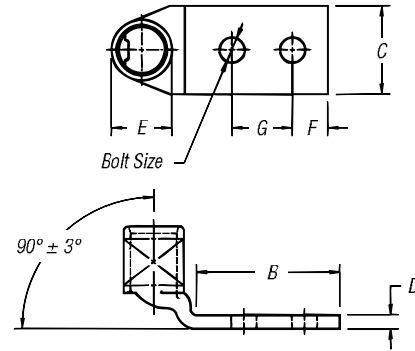
Tooling: pp. F-80-F-100 Die Selector Chart: pp. F-101-F-104

Note: Angled Lugs can be readily available as: 15°, 30°, 45°, 60°, and 90°

Compression Connectors for Copper Conductor

Two-Hole Lugs — 90° Standard Barrel 600V to 35kV Applications

Material: High-Conductivity Wrought Copper
Finish: Electro Tin Plate



CAT. NO.	WIRE SIZE			DIMENSIONS (IN.)							DIE CODE	DIE COLOR
	CODE	FLEX CLASS G, H, I, K, M*	BOLT SIZE	B	C	D	E	F	G			
CA256-31426-141			#10	1.25	.37	.07	.20	1/32	3/8			"C" NEST
256-31426-6SPH	#14-10 AWG		#10	1.30	.37	.07	.20	1/32	3/8 - 3/4	ERG4002,		
256-31426-6			#10	1.30	.37	.07	.20	1/32	3/8	ERG4005		
256-31426-6S			#10	1.30	.37	.07	.20	1/32	3/8 - 3/4			
256-30695-1409			#10	1.19	.41	.06	.26	1/32	3/8 - 3/4	21	RED	
54204UB	#8 AWG	23 Navy, #8 Weld	#10	1.25	.42	.08	.26	1/4	3/8	21		
256-31426-33UB*	#7 LS	37/24 = 14.9 kcmil	#10	1.19	.41	.06	.26	1/32	3/8 - 3/4	21	BLUE	
256-31426-33UBPH			#10	1.19	.41	.06	.26	1/32	3/8 - 3/4	21		
256-30695-1411		30 Navy	#10	1.19	.44	.08	.30	1/32	5/8 - 3/4	24	BLUE	
256-30695-1183B		#6 Weld	#10	1.19	.44	.08	.30	1/32	5/8 - 3/4	24		
256-30695-1356	#6 AWG	133/.014	#10	1.19	.43	.08	.30	1/32	3/8	24	BLUE	
54205UB		#5 Weld	1/4	1.28	.44	.08	.30	1/4	3/8	24		
256-30695-252UB			1/4	1.56	.43	.08	.30	1/4	1	24	GRAY	
54206UB	#4 AWG	40-50 Navy #4 Weld #5 91/24 = 36.7 kcmil 133/.0177, 49/.029	1/4	1.28	.52	.10	.37	1/4	3/8	29		
54207UB	#3 AWG #2 AWG	60 Navy #3 Weld 125/24 = 50.4 kcmil	1/4	1.28	.59	.11	.41	1/4	3/8	33	BROWN	
54208UB	#1 AWG	75 Navy #2 Weld 150/24 = 60.5 kcmil 175/24 = 70.6 kcmil, 133/.0223	1/4	1.28	.68	.11	.47	1/4	3/8	37	GREEN	
54209UB	1/0 AWG	100 Navy, #1 Weld	3/8	1.93	.75	.13	.52	3/8	1	42	PINK	
54209UB0412		225/24 = 90.8 kcmil, 133/.0254 225/24 = 90.8 kcmil, 133/.0254	1/4	1.55	.75	.13	.52	1/4	3/8	42		
54261UB	2/0 AWG	125 Navy, 1/0 Weld	5/16	1.63	.83	.14	.57	1 1/32	1/8	45	BLACK	
54210UB		275/24 = 111 kcmil	3/8	1.93	.83	.13	.57	3/8	1	45		
54260UB		133/.0282	1/2	2.81	.83	.14	.57	3/8	1 1/4	45		
54266UB	3/0 AWG	150 Navy, 2/0 Weld	5/16	1.75	.94	.14	.63	1 1/32	1	50	ORANGE	
54211UB		325/24 = 131 kcmil	3/8	1.81	.94	.14	.63	3/8	1	50		
54265UB		133/.0316, 259/.0227, 427/.0177	1/2	2.81	.94	.14	.63	3/8	1 1/4	50	PURPLE	
54212UB	4/0 AWG	200 Navy, 3/0 Weld	3/8	1.93	1.03	.14	.70	3/8	1	54		
54270UB		450/24 = 182 kcmil, 703/.0154	1/2	3.00	1.03	.14	.70	1/2	1 1/4	54		
54213UB	250 kcmil	250 Navy	3/8	1.93	1.13	.14	.77	3/8	1	62	YELLOW	
54275UB			1/2	2.81	1.13	.18	.77	1/2	1 1/4	62		
256-30695-399UB		4/0 Weld, 550/24 = 222 kcmil	3/8	2.80	1.25	.15	.79	3/8	1	62	YELLOW	
58265UB		133/.0399, 259/.0286, 637/.018	1/2	2.81	.94	.14	.79	1/2	1 1/4	62		

* Contact Technical Services for specific stranding listings

Tooling: pp. F-80-F-100 Die Selector Chart: pp. F-101-F-104

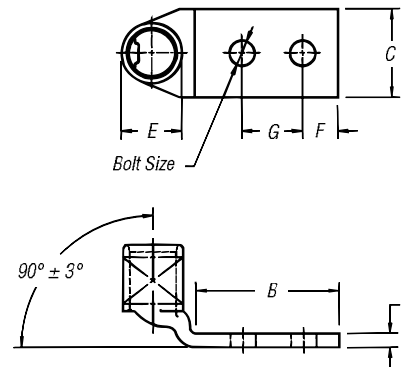
* Blind End

Connectors & Grounding — Blackburn® Compression Connectors Featuring the Color-Keyed® System

Compression Connectors for Copper Conductor

Two-Hole Lugs — 90° Standard Barrel 600V to 35kV Applications (continued)

Material: High-Conductivity Wrought Copper
Finish: Electro Tin Plate



CAT. NO.	CODE	WIRE SIZE			DIMENSIONS (IN.)						DIE CODE	DIE COLOR
		FLEX CLASS	G, H, I, K, M†	BOLT SIZE	B	C	D	E	F	G		
54214UB	300 kcmil	262, 650/24, 250 Weld	3/8	1/2	1.93	1.25	.15	.85	3/8	1	66	WHITE
54280UB		300 Navy			3.00	1.25	.15	.85	1/2	1 1/4	66	
54215UB	350 kcmil	350 Navy	3/8	1/2	1.93	1.36	.18	.93	3/8	1	71	RED
54282UB					3.00	1.36	.18	.93	1/2	1 1/4	71	
54216UB	400 kcmil	400 Navy	3/8	1/2	1.93	1.41	.17	.96	3/8	1	76	BLUE
54283UB		313, 775/24, 300 Weld			1.93	1.41	.17	.96	3/8	1 1/8	76	
58277UB		400 Weld, 925/24 = 373 kcmil 259/.0393, 427/.0306	1/2		3.00	1.61	.22	1.04	1/2	1 1/4	80	N/A
54218UB	500 kcmil	500 Navy	3/8	1/2	1.93	1.61	.22	1.10	3/8	1	87	BROWN
54286UB					3.00	1.61	.22	1.10	1/2	1 1/4	87	
54220UB	600 kcmil	1100/24 = 444 kcmil	3/8	1/2	1.93	1.75	.24	1.20	3/8	1	94	GREEN
54289UB		450 Flex I, K			3.00	1.75	.24	1.20	1/2	1 1/4	94	
54291UB	700 kcmil		1/2		3.00	1.84	.23	1.25	1/2	1 1/4	99	PINK
58281UB		500 Flex, 1325/24 = 535 kcmil	1/2		3.00	1.80	.28	1.25	1/2	1 1/4	99	
54223UB	750 kcmil	600, 427 Str.	1/2		3.00	1.94	.27	1.33	1/2	1 1/4	106	BLACK
54224UB	800 kcmil	800 Navy	1/2		3.00	2.01	.27	1.38	1/2	1 1/4	106	
54226UB	900 kcmil	1925/24 = 777 kcmil	1/2		3.00	2.18	.31	1.50	1/2	1 1/4	115	YELLOW
54228UB	1000 kcmil	1000 Navy	1/2		3.00	2.27	.30	1.55	1/2	1 1/4	125	N/A

† Contact Technical Services for specific stranding listings

Tooling: pp. F-80-F-100 Die Selector Chart: pp. F-101-F-104

Compression Connectors for Copper Conductor

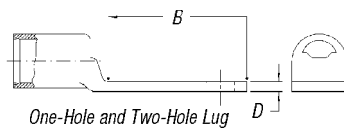
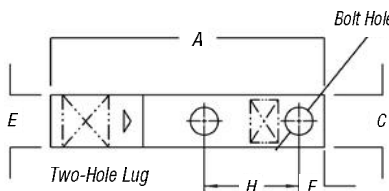
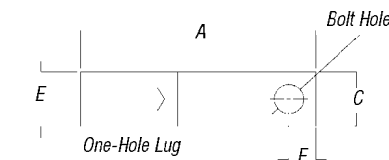
Ideal for confined-space terminations.

Narrow-Tongue Lugs — One- and Two-Hole, Standard Barrel, 600V Applications



Material: High-Conductivity Wrought Copper

Finish: Electro Tin Plate



CAT. NO.	CODE	WIRE SIZE FLEX CLASS G, H, I, K, M†	BOLT SIZE	DIMENSIONS (IN.)								DIE CODE	DIE COLOR
				A	B	C	D	E	F	H			
One-Hole Narrow-Tongue Lugs													
54138NT	#4 AWG	91/24	#10	1.31	.56	.37	.10	.37	.25	—	29	GRAY	
54107NT	#2-3 AWG	125/24	¼	1.50	.65	.41	.07	.41	.25	—	33	BROWN	
54108NT	#1 AWG	150,175/24	¼	1.50	.65	.47	.11	.47	.25	—	37	GREEN	
54152NT	1/0 AWG	225/24	¼	1.60	.65	.52	.13	.52	.25	—	42	PINK	
54157NT	2/0 AWG	275/24	¼	1.60	.65	.57	.13	.57	.25	—	45	BLACK	
54162NT	3/0 AWG	325/24	¼	1.68	.65	.63	.13	.63	.25	—	50	ORANGE	
54167NT	4/0 AWG	450/24	¼	1.90	.65	.70	.14	.70	.25	—	54	PURPLE	
54172NT	250 kcmil	—	¼	2.00	.65	.77	.14	.77	.25	—	62	YELLOW	
54178NT04	300 kcmil	—	¼	2.33	.88	.85	.15	.85	.25	—	66	WHITE	
54115NT	350 kcmil	—	½	2.75	1.25	.93	.18	.93	.50	—	71	RED	
54115NT06	350 kcmil	—	¾	2.50	1.00	.93	.18	.93	.38	—	71	BROWN	
54118NT	500 kcmil	—	½	3.25	1.25	1.10	.22	1.10	.50	—	87	BROWN	
54123NT08	750 kcmil	—	½	3.48	1.25	1.33	.27	1.33	.50	—	106	BLACK	
54123NT	750 kcmil	—	¾	3.80	1.58	1.33	.27	1.33	.63	—	106	BLACK	
Two-Hole Narrow-Tongue Lugs													
54206NT0310	#4 AWG	91/24	#10	1.88	1.13	.37	.10	.37	.25	.63	29	GRAY	
54207NT	#2-3 AWG	125/24	¼	2.04	1.19	.41	.11	.41	.25	.63	33	BROWN	
54207NT0412	#2-3 AWG	125/24	¼	2.16	1.31	.41	.11	.41	.25	.75	33	BROWN	
54207NT0416	#2-3 AWG	125/24	¼	2.41	1.56	.41	.11	.41	.25	1.00	33	BROWN	
54208NT	#1 AWG	150,175/24	¼	2.04	1.19	.47	.11	.47	.25	.63	37	GREEN	
54208NT0516	#1 AWG	150,175/24	⅜	2.63	1.78	.47	.11	.47	.38	1.00	37	GREEN	
54255NT	1/0 AWG	225/24	⅜	2.61	1.66	.52	.14	.52	.38	.88	42	PINK	
54261NT	2/0 AWG	275/24	⅜	2.66	1.66	.57	.14	.57	.38	.88	45	BLACK	
54210NT	2/0 AWG	275/24	¾	2.82	1.82	.57	.14	.57	.38	1.00	45	BLACK	
54266NT	3/0 AWG	325/24	⅜	2.88	1.78	.63	.13	.63	.38	1.00	50	ORANGE	
54211NT	3/0 AWG	325/24	¾	2.92	1.82	.63	.13	.63	.38	1.00	50	ORANGE	
54212NT	4/0 AWG	450/24	¾	3.07	1.82	.70	.14	.70	.38	1.00	54	PURPLE	
54213NT	250 kcmil	—	¾	3.17	1.82	.77	.14	.77	.38	1.00	62	YELLOW	
54275NT	250 kcmil	—	¾	4.16	2.81	.77	.14	.77	.50	1.75	62	YELLOW	
54282NT	350 kcmil	—	½	4.36	2.81	.93	.18	.93	.50	1.75	71H	RED	
54218NT	500 kcmil	—	¾	4.57	2.57	1.10	.22	1.10	.38	1.75	87	BROWN	
54286NT	500 kcmil	—	½	4.81	2.81	1.10	.22	1.10	.50	1.75	87	BROWN	
54878BENTPH	600 kcmil	—	½	5.83	3.00	1.20	.24	1.20	.50	1.75	94	GREEN	
54223NT0628	750 kcmil	—	¾	4.79	2.57	1.33	.27	1.33	.38	1.75	106H	BLACK	
54223NT0616	750 kcmil	—	¾	5.00	2.02	1.66	.27	1.33	.38	1.00	106	BLACK	
54223NT	750 kcmil	—	½	5.04	2.81	1.33	.27	1.33	.50	1.75	106H	BLACK	
58884BENTPH	—	1600/24	½	6.16	3.00	1.33	.24	1.20	.50	1.75	106H	BLACK	
58825NT	900 kcmil	1925/24 = 777 kcmil	¾	5.00	2.13	1.66	.31	1.50	.50	1.00	115	YELLOW	
58825NT0828	900 kcmil	1925/24 = 777 kcmil	½	5.75	2.88	1.66	.31	1.50	.50	1.75	115	YELLOW	

CAT. NO. 5 4 2 1 2 N T —*

TYPE —

— = 1ø Order 45° and 90° Angle Lugs
 UF = 45°
 UB = 90°

Other options include silver plating (add SP to catalog number), blind end (add BE to catalog number) and peep holes (add PH to catalog number).

Catalog No. Example:
 54108NTUB is a 90° angled one-hole narrow-tongue lug for #1 AWG.

* Special lugs may have other catalog number constructions. Please contact Technical Services.

† Contact Technical Services for specific stranding listings
 Tooling: pp. F-80-F-100 Die Selector Chart: pp. F-101-F-104

Connectors & Grounding — Blackburn® Compression Connectors Featuring the Color-Keyed™ System

Compression Connectors for Copper Conductor

Reduce your installation time and labor costs!

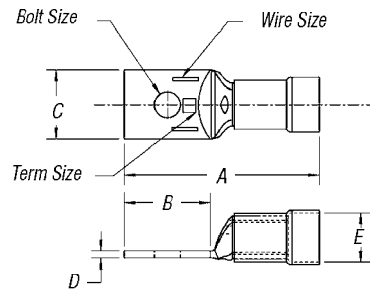


Insulated Lugs

Now you can have all of the benefits of Thomas & Betts' industry-leading Blackburn® lugs featuring the Color-Keyed® system — without the time-consuming job of insulating them after installation. These lugs come fitted with a translucent nylon sleeve that provides excellent dielectric strength, while still enabling easy viewing of the color-coding on the barrel. In addition to the standard catalog numbers listed here for one- and two-hole lugs, a variety of custom options makes this the broadest offering of insulated lugs available on the market!



- Translucent nylon insulator provides easy viewing of die code/color
- Use with #8 AWG to 250 kcmil copper conductors
- Available in one- and two-hole configurations with standard-length barrel
- Variety of options available — finish, tongue width and angle, bolt hole size/spacing and more
- Easy to install with standard Blackburn® compression tools TBM6S, 25000, 13642M or 13400 with adapter



Specifications

- Material — Lugs: Seamless copper tubing with electroplate finish
- Material — Insulators: Injection-molded nylon
- Temperature Rating: 105° C max.
- Voltage Rating: 600 volts max. (1,000 volts max. in signs and fixtures)
- Listings: UL® Listed, CSA Certified



CAT. NO.	WIRE SIZE	BOLT SIZE	DIMENSIONS (IN.)					HOLE SPACING	DIE FOR TBM6S OR 25000 TOOL	DIE FOR 13642M TOOL
			A	B	C	D	E			
One-Hole Standard-Barrel Nylon-Insulated Lugs										
54104I	#8 AWG	#10	1.49	.50	.39	.08	.35	—	11821-CK	21707M-CK
54105I	#6 AWG	¼"	1.58	.53	.44	.07	.45	—	11822-CK	21708M-CK
54106I	#4 AWG	¼"	1.76	.60	.55	.09	.53	—	11823-CK	21709M-CK
54108I	#1 AWG	¼"	2.06	.65	.68	.11	.60	—	11824-CK	21710M-CK
54109I	1/0 AWG	¾"	2.36	.93	.75	.13	.64	—	11825-CK	21711M-CK
54110I	2/0 AWG	¾"	2.43	.93	.83	.13	.69	—	11826-CK	21712M-CK
54111I	3/0 AWG	¾"	2.54	.93	.92	.13	.77	—	11827-CK	21713M-CK
54112I	4/0 AWG	¾"	2.75	.93	1.03	.14	.80	—	11828-CK	21714M-CK
54113I	250 kcmil	½"	3.19	1.25	1.13	.14	.88	—	11829-CK	21715M-CK
Two-Hole Standard-Barrel Nylon-Insulated Lugs										
54204I	#8 AWG	#10	2.21	1.18	.42	.08	.35	.625	11821-CK	21707M-CK
54205I	#6 AWG	¼"	2.32	1.28	.44	.08	.45	.625	11822-CK	21708M-CK
54206I	#4 AWG	¼"	2.40	1.28	.52	.10	.53	.625	11823-CK	21709M-CK
54208I	#1 AWG	¼"	2.69	1.28	.68	.11	.60	.625	11824-CK	21710M-CK
54209I	1/0 AWG	¾"	3.36	1.93	.75	.13	.64	1.000	11825-CK	21711M-CK
54210I	2/0 AWG	¾"	3.43	1.93	.83	.13	.69	1.000	11826-CK	21712M-CK
54211I	3/0 AWG	¾"	3.45	1.81	.94	.14	.77	1.000	11827-CK	21713M-CK
54212I	4/0 AWG	¾"	3.75	1.93	1.03	.14	.80	1.000	11828-CK	21714M-CK
54213I	250 kcmil	½"	3.87	1.93	1.13	.14	.88	1.000	11829-CK	21715M-CK

Overview

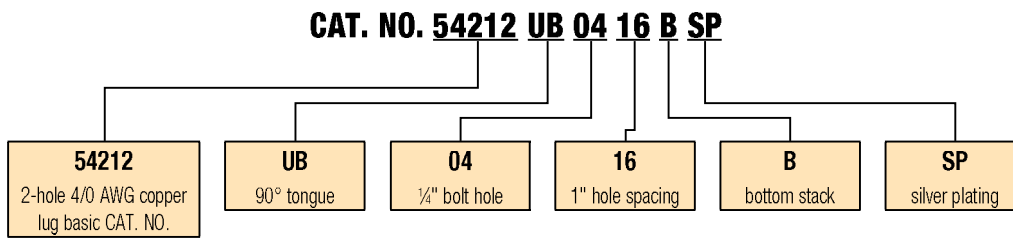
Order Form

Catalog No. _____ Qty. _____
 (For 54100, 54200, 54800 & 54900 Series Copper Lugs Only)

Design Controls and Requirements

All "MADE-UP" catalog numbers start with a standard or basic catalog number and are followed by the customer-required extra features: tongue shape, bolt hole size, distance between bolt holes, stacking, plating and inspection hole (peep hole). A code letter or a number has been assigned to each extra feature. See CODE TABLE.

- Notes:** 1) Lack of any of the extra features on the "MADE-UP" catalog number means that the standard Cat. No. features are prevalent.
 2) If either bolt hole size or distance between bolt holes needs to be changed from standard Cat. No., both code numbers will appear on the "MADE-UP" Cat. No. (See example below)



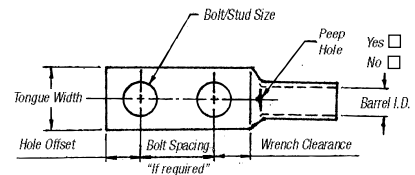
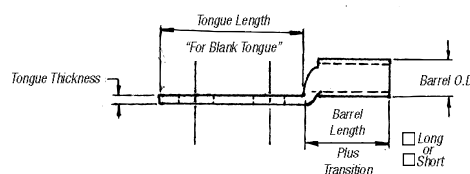
Code Table

TONGUE SHAPE		BOLT HOLES		BOLT HOLE CENTERS		STACKING		FINISH (PLATING)		INSPECTION HOLE (LONG BARREL)		INSPECTION HOLE (SHORT BARREL)		
TYPE	CODE	SIZE	.020	CODE	DISTANCE .015	CODE	TYPE	CODE	TYPE 1	CODE	I.D.	CODE	I.D.	CODE
15°	UI	#8	.173	02	1/2"	08	Top	T**	Silver Plate	SP	Peep Hole	PH	Blind End	BE
30°	UT	#10	.204	03	5/8"	10	Bottom	B	Lead Plate	LP				
45°	UF	1/4"	.281	04	3/4"	12			Nickel Plate	NP				
60°	US	5/16"	.344	05	1/2"	14			Plain Finish	PF				
90°	UB	3/8"	.406	06	1"	16			No Marking	NM				
Blank	BT	1/2"	.531	08	1 1/8"	18			Not QTP if					
(No Bolt Hole)		5/8"	.656	10	1 1/4"	20			suffix other					
		3/4"	.812	12	1 3/8"	22			than - PF or					
		7/8"	.937	14	1 1/2"	24			standard					
		1"	1.062	16	1 5/8"	26			tin plate					
					1 3/4"	28								
					1 7/8"	30								
					2"	32								

* These bolt centers not available for bolt holes larger than 3/8".

** Not required for 45° & 90° top stacking.

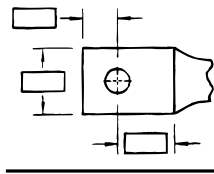
Cable	Code <input type="checkbox"/>	
	Weld <input type="checkbox"/>	
<input type="checkbox"/> #8	<input type="checkbox"/> #6	<input type="checkbox"/> #4
<input type="checkbox"/> #2	<input type="checkbox"/> #1	<input type="checkbox"/> 1/0
<input type="checkbox"/> 2/0	<input type="checkbox"/> 3/0	<input type="checkbox"/> 4/0
<input type="checkbox"/> 250 kcmil & up (Code Only)		



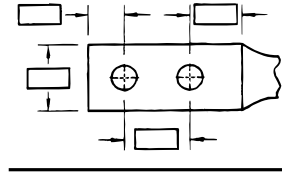
Overview

Tongue Specifications — See Chart "A" For Dimensions

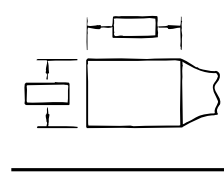
Stud Sizes		
<input type="checkbox"/> #8	<input type="checkbox"/> #10	<input type="checkbox"/> ¼"
<input type="checkbox"/> ⅜"	<input type="checkbox"/> ⅝"	<input type="checkbox"/> ½"
<input type="checkbox"/> ⅞"	<input type="checkbox"/> ¾"	<input type="checkbox"/> ⅝"
<input type="checkbox"/> 1"		



Single Hole



Double Hole



Blank

Chart A

NOMINAL BOLT HOLE SIZE .015	HOLE OFFSET .030	WRENCH CLEARANCE MIN.	TONGUE WIDTH CABLE SIZE										
			#8 CODE #8 WELD	#6 CODE #6 WELD	#4 CODE #4 WELD	#2 CODE #2 WELD	#1 CODE #1 WELD	1/0 CODE 1/0 WELD	2/0 CODE 2/0 WELD	3/0 CODE 3/0 WELD	4/0 CODE 3/0 WELD	250 CODE	
#8	.173	.200	.240	.406	.437	.562	.593	.672	.750	.825	.937	1.030	1.125
#10	.204	.218	.250	.406	.437	.562	.593	.672	.750	.825	.937	1.030	1.125
¼"	.281	.250	.312	.469	.500	.562	.593	.672	.750	.825	.937	1.030	1.125
⅜"	.344	.375	.406	.562	.562	.562	.675	.672	.750	.825	.937	1.030	1.125
⅝"	.406	.375	.440	.578	.578	.594	.675	.672	.750	.825	.937	1.030	1.125
½"	.531	.500	.562	—	—	—	.750	.750	.750	.825	.937	1.030	1.125
⅞"	.656	.625	.875	—	—	—	—	—	—	—	.937	1.030	1.125
¾"	.812	.750	.770	—	—	—	—	—	—	—	—	—	—
⅞*	.937	.875	.890	—	—	—	—	—	—	—	—	—	—
1*	1.062	.937	1.000	—	—	—	—	—	—	—	—	—	—

* These bolt holes available in one-hole lug only.

Chart B

CABLE SIZE	TONGUE THICKNESS	STRAIGHT LUG BARREL LENGTH PLUS TRANSITION		BARREL		DIM "X" STACKED LUGS			DIM "Y"		DIM "H"	
		SHORT	LONG	O.D.	I.D.	STRAIGHT	45°	90°	SHORT	LONG	SHORT	LONG
#8	.080	.635	.935	.260	.180	.158	.478	.394	.595	.808	.779	1.079
#6	.081	.675	.975	.296	.215	.134	.544	.432	.587	.799	.767	1.067
#4	.099	.685	.985	.365	.266	.175	.622	.502	.637	.849	.838	1.138
#2	.108	.815	1.115	.410	.302	.216	.649	.535	.711	.923	.958	1.258
#1	.106	.825	1.275	.467	.361	.212	.731	.592	.710	1.028	.956	1.406
1/0	.125	.975	1.325	.520	.396	.250	.789	.646	.794	1.042	1.075	1.425
2/0	.125	.965	1.315	.571	.446	.250	.859	.696	.829	1.077	1.125	1.475
3/0	.125	1.085	1.435	.632	.507	.250	.946	.757	.900	1.148	1.225	1.575
4/0	.137	1.255	1.705	.701	.564	.274	1.031	.826	1.015	1.333	1.387	1.837
250	.137	1.375	1.925	.766	.629	.274	1.123	.891	1.085	1.474	1.487	2.037
300	.153	1.900	2.675	.850	.660	.459	1.226	.975	1.180	1.726	1.924	2.679
350	.177	2.090	2.896	.926	.720	.531	1.333	1.103	1.267	1.830	2.096	2.896
400	.173	2.460	2.980	.960	.757	.519	1.370	1.085	1.551	1.913	2.484	2.984
500	.218	2.670	3.610	1.100	.852	.654	1.514	1.225	1.629	2.266	2.669	3.619
600	.244	2.900	3.490	1.200	.926	.732	1.630	1.325	1.762	2.147	2.897	3.497
700	.228	2.784	—	1.255	.997	.684	1.662	1.375	1.780	—	3.011	—
750	.270	3.050	3.925	1.330	1.030	.810	1.745	1.455	1.827	2.434	3.050	3.925
800	.266	3.213	—	1.375	1.079	.800	1.728	1.625	1.952	2.787	3.213	4.554
900	.313	3.450	4.550	1.500	1.145	.940	1.900	1.650	2.065	—	1.387	—
1,000	.297	3.356	4.500	1.550	1.203	.890	2.070	1.675	2.031	2.787	1.487	4.506

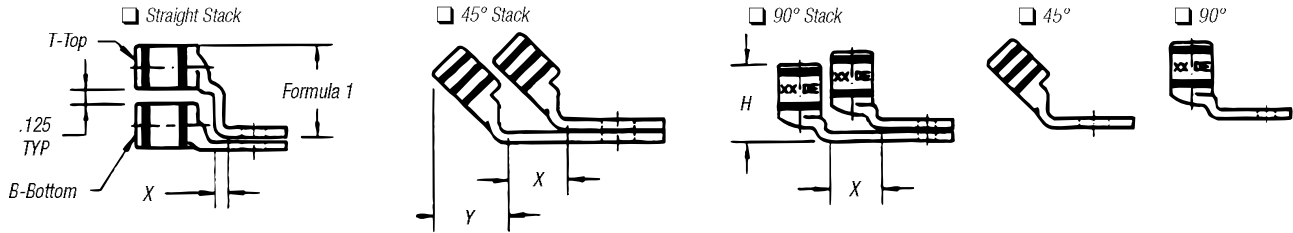
Note: Stacking lugs are available for one bolt only.

Consult Factory: Straight: 700 kcmil & up.

45°: 400 kcmil & up

90°: 500 kcmil & up

Overview



Formula 1 = (.125 + 2 (OD) + .037 – Tongue Thickness)

Chart C

BOLT HOLE SIZE	TONGUE WIDTH .030 CODE CABLE SIZE										
	300 KCMIL 4/0 WELD	350 KCMIL	400 KCMIL	500 KCMIL 400 WELD	600 KCMIL 500 WELD	1325/24	700 KCMIL	750 KCMIL	800 KCMIL	900 KCMIL	1000 KCMIL
#8	—	—	—	—	—	—	—	—	—	—	—
#10	—	—	—	—	—	—	—	—	—	—	—
¼	1.250	1.355	1.410	1.605	1.745	1.805	1.840	1.935	2.010	2.180	2.265
⅓	1.250	1.355	1.410	1.605	1.745	1.805	1.840	1.935	2.010	2.180	2.265
⅕	1.250	1.355	1.410	1.605	1.745	1.805	1.840	1.935	2.010	2.180	2.265
½	1.250	1.355	1.410	1.605	1.745	1.805	1.840	1.935	2.010	2.180	2.265
⅔	1.250	1.355	1.410	1.605	1.745	1.805	1.840	1.935	2.010	2.180	2.265
¾	1.250	1.355	1.410	1.605	1.745	1.805	1.840	1.935	2.010	2.180	2.265
⅞*	—	—	—	1.605	1.745	1.805	1.840	1.935	2.010	2.180	2.265
1*	—	—	—	—	1.745	1.805	1.840	1.935	2.010	2.180	2.265

* These bolt holes available in one-hole lug only.